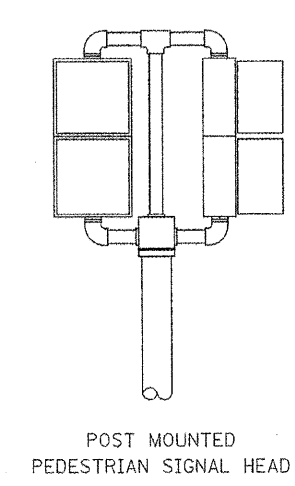
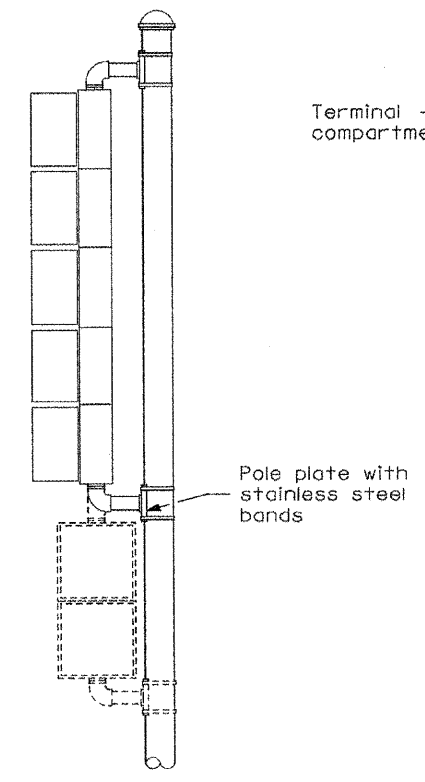


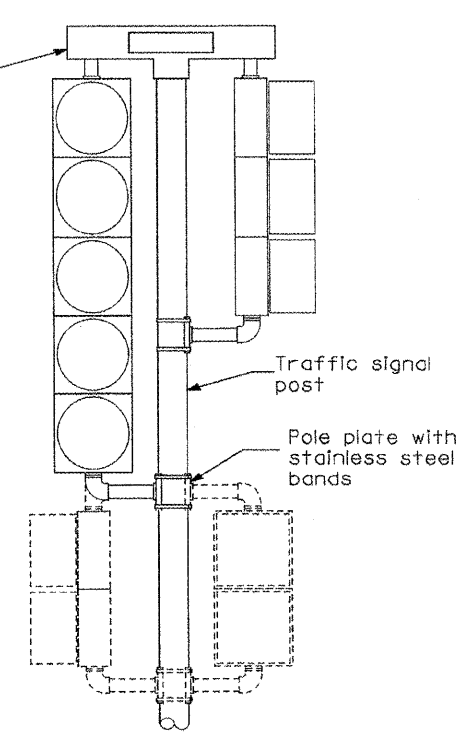
ONE WAY



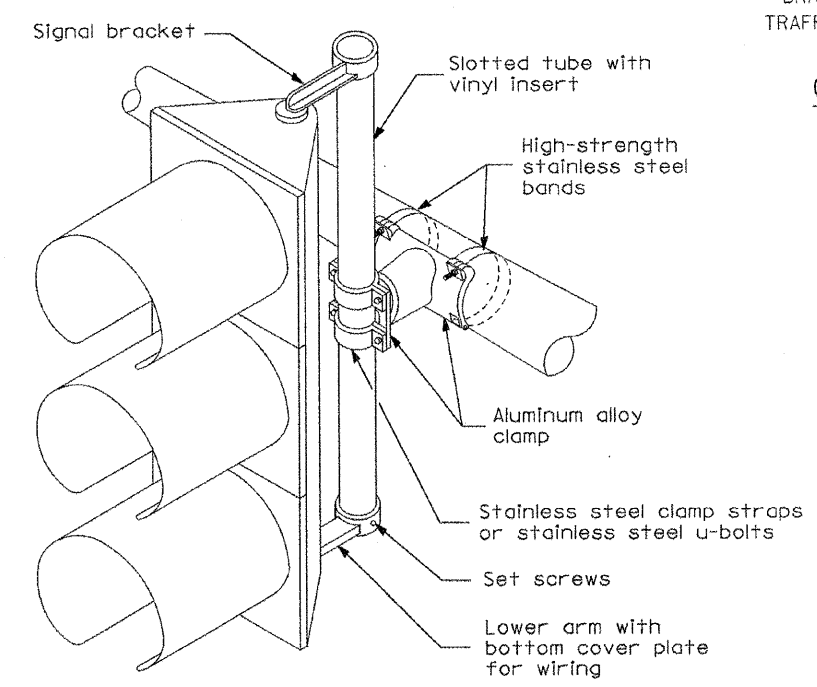
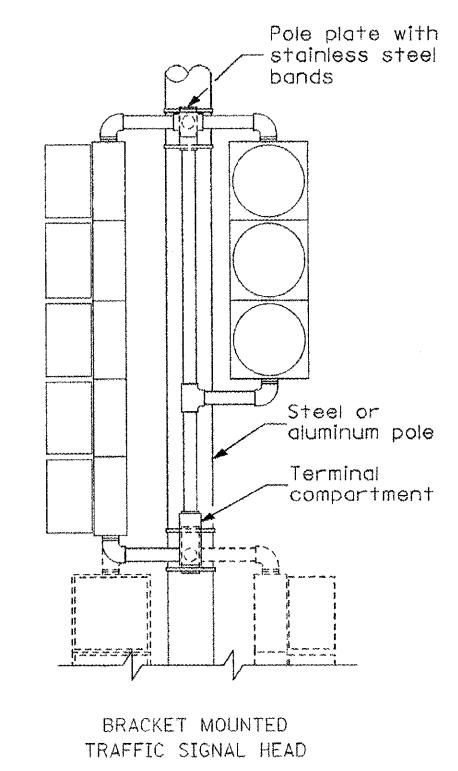
TWO WAY



ONE WAY



TWO WAY



STEEL MAST ARM MOUNTING

TRAFFIC SIGNAL MOUNTING DETAILS

STANDARD 880006-01

FILE NAME =	USER NAME = (1224_user)	DESIGNED - LC	REVISED -	STATE OF ILLINOIS DEPARTMENT OF TRANSPORTATION	SCALE:	SHEET NO.	OF	SHEETS	STA.	TO STA.	F.A. RTE.	SECTION	COUNTY	TOTAL SHEETS	SHEET NO.
P:\NP-00\1224\Task 8\DOGN\Sheets\29-1224.5-Standard-13.dgn		DRAWN - BID	REVISED -		IL 31							2001-125R	MO HENRY	31	29
		CHECKED - ER	REVISED -		CONTRACT NO. 60F79										
		DATE -	REVISED -		FED. ROAD DIST. NO. ILLINOIS FED. AID PROJECT										

IE INFRASTRUCTURE ENGINEERING, INC.
33 W. MONROE ST., SUITE 1540
CHICAGO, IL 60603-5322
PHONE 312.425.9560
FAX 312.425.9564