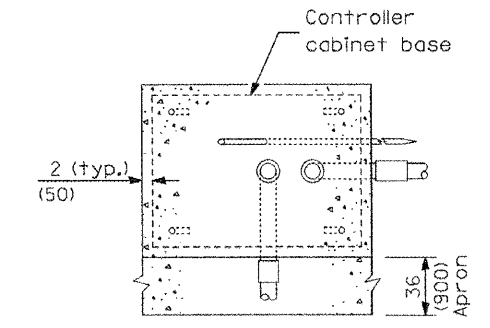
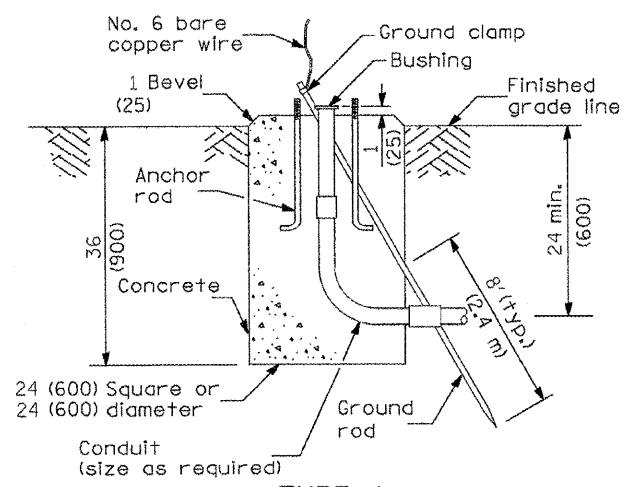


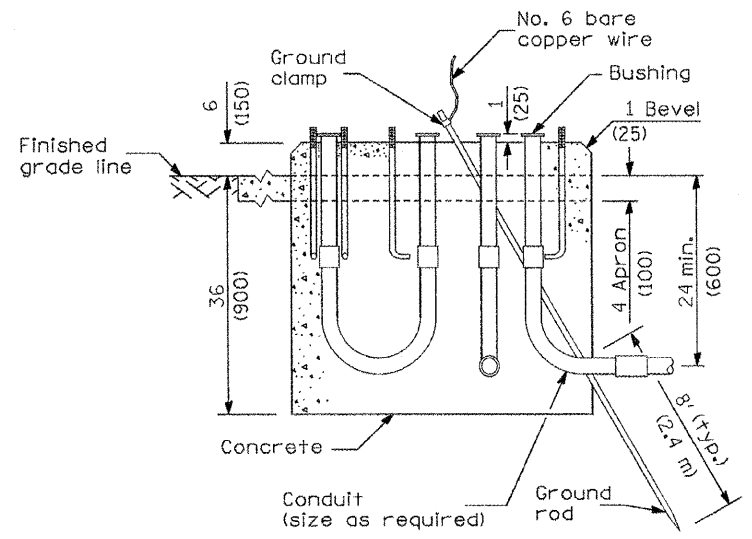
TOP VIEW



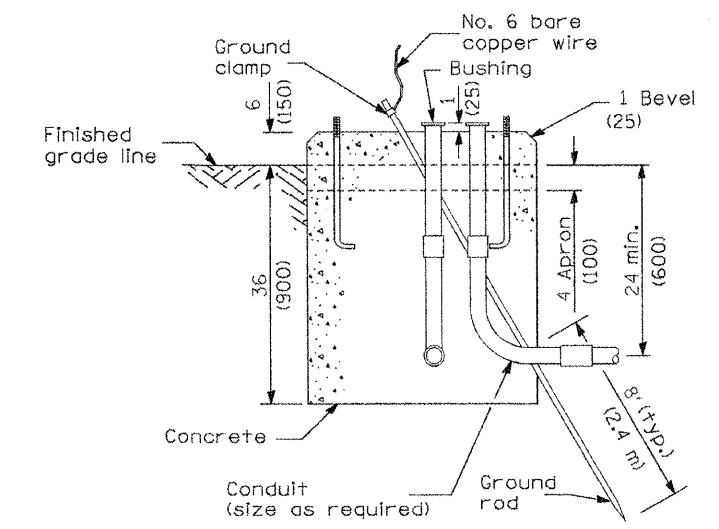
TOP VIEW



TYPE A



TYPE C
FOR GROUND MOUNTED
CONTROLLER CABINET
AND UPS BATTERY CABINET



TYPE D
FOR GROUND MOUNTED
CONTROLLER CABINET

All dimensions are in inches (millimeters) unless otherwise shown.

CONCRETE
FOUNDATION DETAILS
(Sheet 1 of 2)
STANDARD 878001-07

FILE NAME =	USER NAME = (1224_user)	DESIGNED - LC	REVISED -
P:\NP-00\1224\Task_8\Drawings\Sheets\30-1224.5-Standard-14.dgn		DRAWN - BID	REVISED -
		CHECKED - ER	REVISED -
		DATE -	REVISED -

**STATE OF ILLINOIS
DEPARTMENT OF TRANSPORTATION**

SCALE:	SHEET NO.	OF SHEETS	STA.	TO STA.
--------	-----------	-----------	------	---------

F.A. RTE.	SECTION	COUNTY	TOTAL SHEETS	SHEET NO.
IL 31	2001-125R	Mc HENRY	31	30
CONTRACT NO. 60F79				
FED. ROAD DIST. NO. ILLINOIS FED. AID PROJECT				

INFRASTRUCTURE ENGINEERING, INC.
33 W. MONROE ST., SUITE 1540
CHICAGO, IL. 60603-5322
PHONE 312.425.9560
FAX 312.425.9564