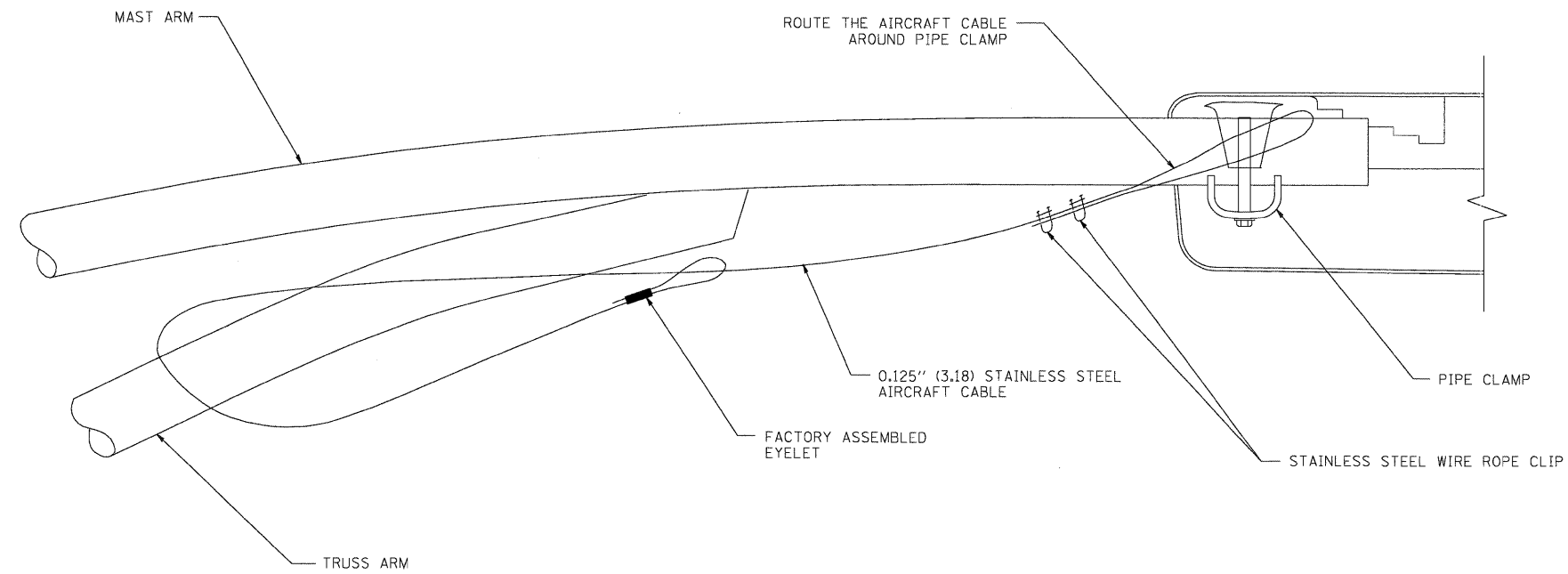
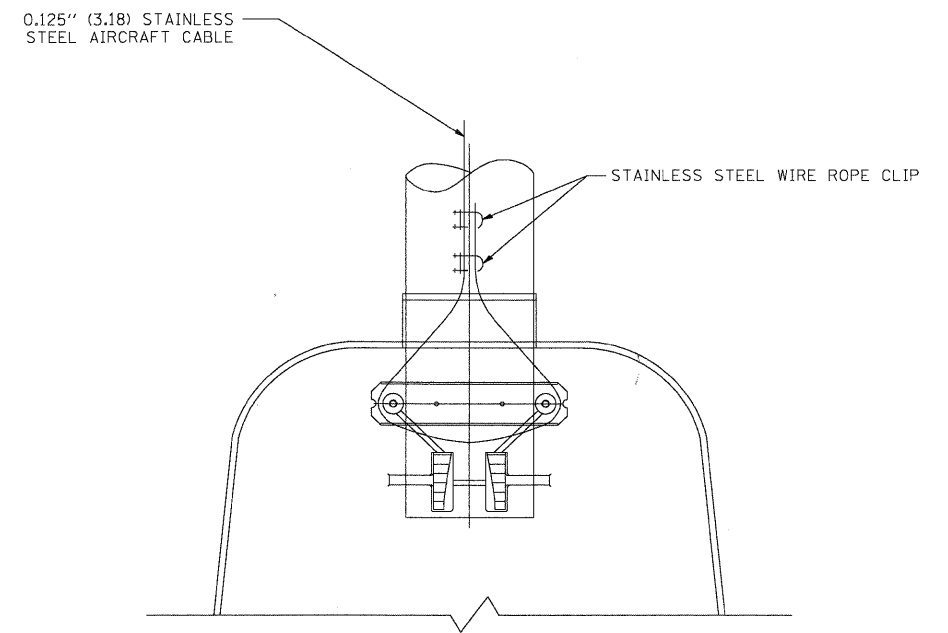


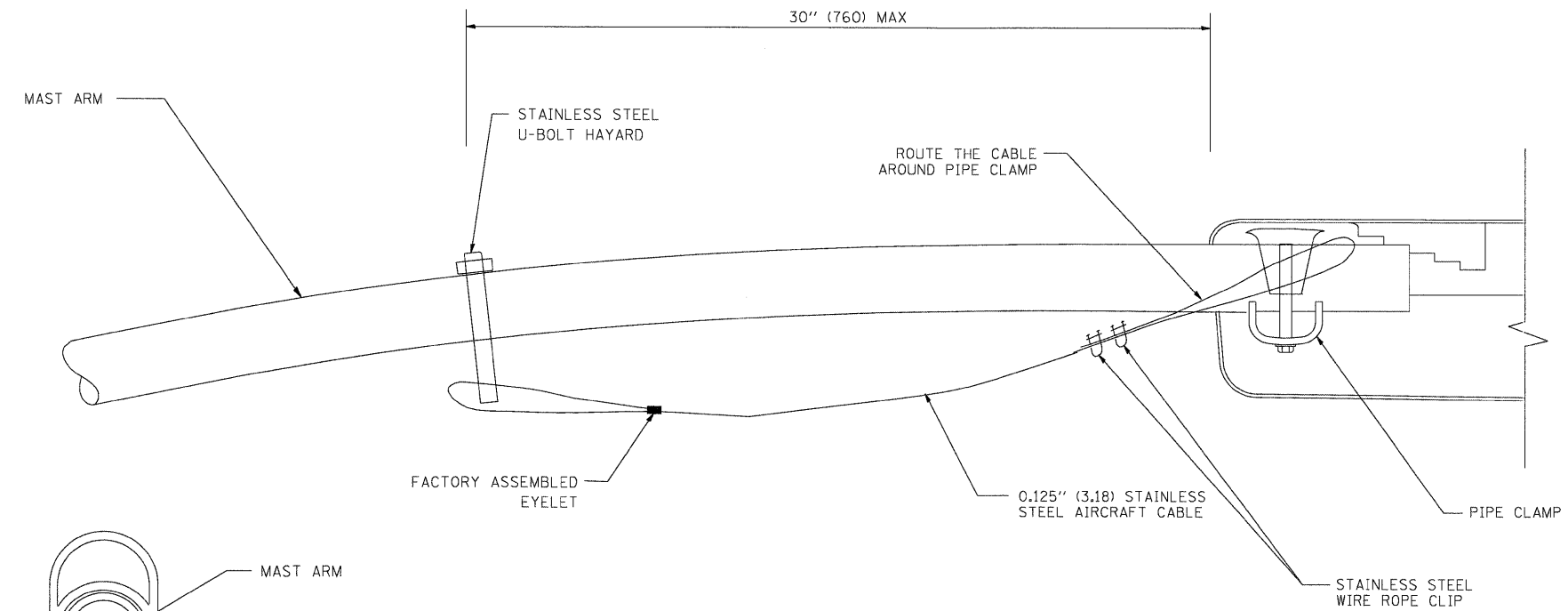
F.A. RTE.	SECTION	COUNTY	TOTAL SHEETS	SHEET NO.
334	2008-08-31	COOK	80	78
STA.		TO STA.		
FED. ROAD DIST. NO.		ILLINOIS	FED. AID PROJECT	



SIDE VIEW (TRUSS ARM)
N.T.S.



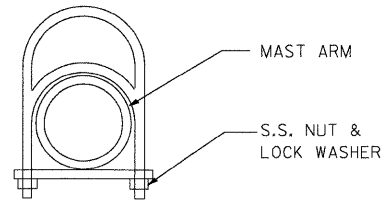
BOTTOM VIEW
N.T.S.



SIDE VIEW (SINGLE MEMBER OR DAVIT ARM)
N.T.S.

NOTES:

1. ALL DIMENSIONS ARE IN MILLIMETERS (INCHES) UNLESS OTHERWISE SHOWN.
2. CONTRACTOR SHALL ADJUST THE WIRE CLIP TO ELIMINATE ANY SLACK FROM THE WIRE ROPE.
3. THE 0.125" (3.18) STAINLESS STEEL AIRCRAFT CABLE SHALL REMAIN VISIBLE FROM THE GROUND LEVEL.
4. THE BREAKING STRENGTH OF THE CABLE SHALL BE 1700 LBS. MIN.



STAINLESS STEEL U-BOLT HAYARD

REVISIONS	
NAME	DATE
	08/08/03

ILLINOIS DEPARTMENT OF TRANSPORTATION

LUMINAIRE SAFETY CABLE ASSEMBLY

SCALE: VERT. NONE
HORIZ.

DRAWN BY
CHECKED BY

FILE NAME = Lighting Plan_34_Detail-BE781.dgn	USER NAME = #USER#	DESIGNED -	REVISED -
		DRAWN -	REVISED -
		CHECKED -	REVISED -
		DATE - 1/22/2009	REVISED -

STATE OF ILLINOIS
DEPARTMENT OF TRANSPORTATION

LUMINAIRE SAFETY CABLE ASSEMBLY
BE-701

SCALE: N.T.S. SHEET NO. OF SHEETS STA. - TO STA. -

F.A.P. RTE.	SECTION	COUNTY	TOTAL SHEETS	SHEET NO.
334	2008-08-31	COOK	80	78
FED. ROAD DIST. NO.		ILLINOIS	FED. AID PROJECT	
CONTRACT NO. 60F87				

1/27/2009
F:\2008\CX\93702\CADD\Sheets\Lighting Plan_34_Detail-BE781.dgn