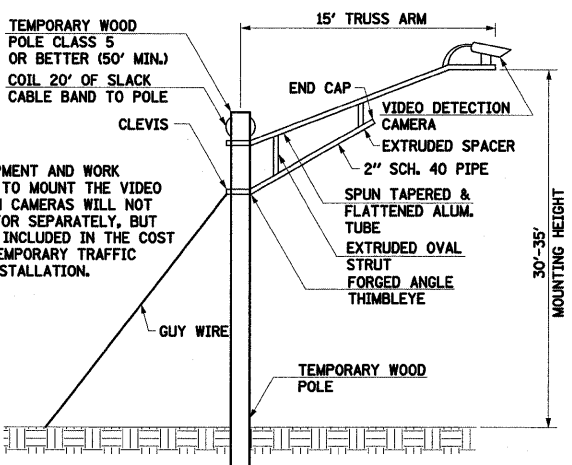


EXISTING SIDEWALK VAULT LOCATION (SEE SIDEWALK VAULT DETAILS)

THIS LOCATION IS CURRENTLY PART OF A CITY OF AURORA CONTRACT, COORDINATION WITH THAT CONTRACT WILL BE REQUIRED.

NOTE: THE EXISTING SERVICE INSTALLATION IS WITHIN THE ELECTRICAL VAULT IN THE SOUTHEAST CORNER OF THE INTERSECTION (TO BE ABANDONED).



NOTE: THE EQUIPMENT AND WORK REQUIRED TO MOUNT THE VIDEO DETECTION CAMERAS WILL NOT BE PAID FOR SEPARATELY, BUT SHALL BE INCLUDED IN THE COST OF THE TEMPORARY TRAFFIC SIGNAL INSTALLATION.

TEMPORARY VIDEO DETECTION CAMERA MOUNTING DETAIL
BROADWAY AVENUE (ILLINOIS ROUTE 25)
EXISTING R.O.W.

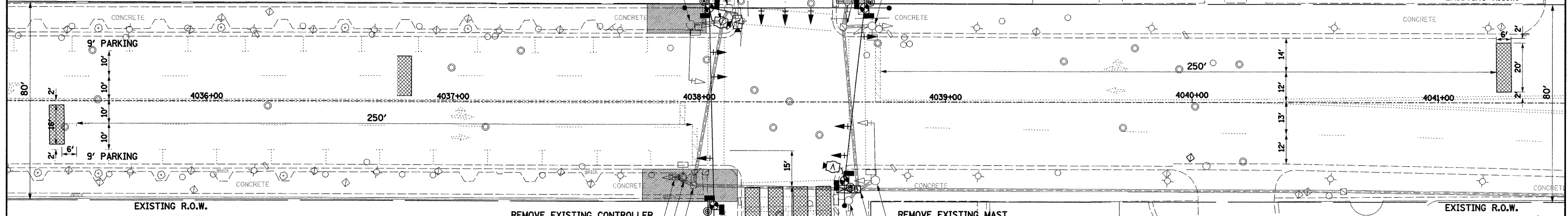
REMOVE EXISTING MAST ARM AND FOUNDATION
REMOVE EXISTING HANDHOLE

REMOVE EXISTING POST AND FOUNDATION
REMOVE EXISTING HANDHOLE
REMOVE EXISTING PEDESTRIAN AND TRAFFIC SIGNAL HEADS FROM LIGHT POLE

REMOVE EXISTING MAST ARM AND FOUNDATION

REMOVE EXISTING MAST ARM AND FOUNDATION
REMOVE EXISTING HANDHOLE
REMOVE EXISTING POST AND FOUNDATION

REMOVE EXISTING CONTROLLER, CABINET, AND FOUNDATION
REMOVE EXISTING PEDESTRIAN AND TRAFFIC SIGNAL HEADS FROM LIGHT POLE
REMOVE EXISTING HANDHOLE



NOTES FOR TEMPORARY TRAFFIC SIGNALS

- ALL CONTROL EQUIPMENT INCLUDING EMERGENCY PRE-EMPTION AND COMMUNICATION DEVICES FOR THE TEMPORARY TRAFFIC SIGNAL(S) SHALL BE FURNISHED BY THE CONTRACTOR.
- ONLY CONTROLLERS SUPPLIED BY ONE OF THE DISTRICT APPROVED CLOSED LOOP EQUIPMENT MANUFACTURERS WILL BE APPROVED FOR USE AT TEMPORARY SIGNAL LOCATIONS. ALL CONTROLLERS USED FOR TEMPORARY TRAFFIC SIGNALS SHALL BE FULLY ACTUATED NEMA MICROPROCESSOR BASED WITH RS232 DATA ENTRY PORTS COMPATIBLE WITH EXISTING MONITORING SOFTWARE APPROVED BY IDOT DISTRICT 1, INSTALLED IN A NEMA TS1 OR TS2 CABINET. ONLY ONE BRAND OF CONTROLLER WILL BE ACCEPTED FOR ANY ONE CONTRACT.
- ALL TRAFFIC SIGNAL SECTIONS AND PEDESTRIAN SIGNAL SECTIONS SHALL BE 12". HEADS SHALL BE PLACED AS INDICATED ON THE TEMPORARY TRAFFIC SIGNAL PLAN OR AS DIRECTED BY THE ENGINEER. THE CONTRACTOR SHALL FURNISH ENOUGH CABLE SLACK TO RELOCATE HEADS TO ANY POSITION ON THE SPAN WIRE OR AT LOCATIONS ILLUSTRATED ON THE PLANS FOR CONSTRUCTION STAGING. THE TEMPORARY TRAFFIC SIGNAL SHALL REMAIN IN OPERATION DURING ALL SIGNAL HEAD RELOCATIONS. EACH TEMPORARY TRAFFIC SIGNAL HEAD SHALL HAVE ITS OWN CABLE FROM THE CONTROLLER CABINET TO THE SIGNAL HEAD.
- ALL EXISTING STREET NAME AND INTERSECTION REGULATORY SIGNS SHALL BE REMOVED FROM EXISTING POLES, RELOCATED AND SECURELY FASTENED TO THE SIGNAL SPAN WIRE OR WOOD POLE AS DIRECTED BY THE ENGINEER.
- ANY TEMPORARY SIGNAL WITHIN AN EXISTING CLOSED LOOP TRAFFIC SIGNAL SYSTEM SHALL BE INTERCONNECTED TO THAT SYSTEM USING SIMILAR BRAND CONTROL EQUIPMENT.
- THE TEMPORARY TRAFFIC SIGNAL SHALL HAVE THE SIGNAL HEAD DISPLAYS, SIGNAL HEAD PLACEMENTS AND CONTROLLER PHASING MATCH THE EXISTING TRAFFIC SIGNAL, AT THE TIME OF THE TURN ON, IF NO TRAFFIC STAGING IS IN PLACE OR WILL NOT BE STAGED ON THE DAY OF THE TURN ON.
- THE WOOD POLES FOR THE TEMPORARY TRAFFIC SIGNALS SHALL BE LONG ENOUGH TO ACCOMMODATE THE LUMINAIRE MOUNTING HEIGHT AS SPECIFIED ON THE TEMPORARY LIGHTING PLANS.
- ALL LABOR AND MATERIAL REQUIRED TO COMPLY WITH THESE REQUIREMENTS SHALL BE INCLUDED IN THE CONTRACT BID PRICE FOR TEMPORARY TRAFFIC SIGNAL INSTALLATION.

THE EXISTING CONDUITS AND VEHICLE DETECTORS (WHERE APPLICABLE) SHALL BE ABANDONED.

THE FOLLOWING ITEMS SHALL BE REMOVED BY THE CONTRACTOR AND SHALL BE DISPOSED OF BY HIM OUTSIDE THE RIGHT-OF-WAY AT HIS EXPENSE. THE SALVAGE VALUE OF THE REMOVED EQUIPMENT SHALL BE REFLECTED IN THE CONTRACT BID PRICE. THIS WORK SHALL BE PAID FOR AT THE CONTRACT UNIT PRICE EACH FOR REMOVE EXISTING TRAFFIC SIGNAL EQUIPMENT (SEE SCHEDULE OF QUANTITIES FOR REMOVAL ITEMS TO BE PAID FOR SEPERATELY).

1	EACH	TRAFFIC SIGNAL CONTROLLER AND CABINET (COMPLETE)
3	EACH	STEEL MAST ARM ASSEMBLY AND POLE
2	EACH	TRAFFIC SIGNAL POST
12	EACH	TRAFFIC SIGNAL HEADS
3	EACH	TRAFFIC SIGNAL BACKPLATES
8	EACH	PEDESTRIAN SIGNAL HEADS

TEMPORARY TRAFFIC SIGNAL LEGEND

- ← TEMPORARY TRAFFIC SIGNAL HEAD SPAN WIRE MOUNTED ORIGINAL LOCATION
- ↔ TEMPORARY TRAFFIC SIGNAL HEAD SPAN WIRE MOUNTED SECONDARY LOCATION
- ⊗ TEMPORARY WOOD POLE (CLASS 5 OR BETTER) 45 FOOT (13.7m) MINIMUM
- ⊠ TEMPORARY CONTROLLER CABINET
- TEMPORARY SPAN WIRE, TETHER WIRE, AND CABLE
- ⊕ TEMPORARY SERVICE INSTALLATION
- TEMPORARY PEDESTRIAN SIGNAL HEAD, BRACKET MOUNTED
- 📹 VIDEO DETECTION CAMERA
- ▨ VIDEO DETECTION AREA
- ⊙ PEDESTRIAN PUSHBUTTON DETECTOR
- 🚗 EMERGENCY VEHICLE LIGHT DETECTOR
- 📡 CONFIRMATION BEACON
- VEHICLE DETECTOR, INDUCTION LOOP
- UD UNIT DUCT
- G.S. CONDUIT IN TRENCH (T) OR PUSHED (P)
- ⬮ HANDHOLE
- ⬮ HEAVY DUTY HANDHOLE
- CT COMMON TRENCH
- Ⓚ UNINTERRUPTIBLE POWER SUPPLY

EXISTING EQUIPMENT TO BE REMOVED LEGEND

- ⬮ EXISTING SIGNAL HEAD TO BE REMOVED
- Ⓚ EXISTING SERVICE INSTALLATION TO BE REMOVED
- EXISTING SIGNAL POST AND FOUNDATION TO BE REMOVED
- ⬮ EXISTING ALUMINUM MAST ARM POLE AND FOUNDATION TO BE REMOVED
- Ⓚ EXISTING CONTROLLER AND FOUNDATION TO BE REMOVED
- Ⓚ EXISTING HANDHOLE TO BE REMOVED
- ⬮ EXISTING PEDESTRIAN SIGNAL HEAD TO BE REMOVED
- ⊙ EXISTING PEDESTRIAN PUSHBUTTON TO BE REMOVED
- 🚗 EXISTING VEHICLE LIGHT DETECTOR TO BE REMOVED
- 📡 EXISTING CONFIRMATION BEACON TO BE REMOVED
- Ⓚ EXISTING HEAVY-DUTY HANDHOLE TO BE REMOVED
- ⬮ EXISTING STEEL MAST ARM POLE AND FOUNDATION TO BE REMOVED

STATE OF ILLINOIS
DEPARTMENT OF TRANSPORTATION

TEMPORARY TRAFFIC SIGNAL INSTALLATION AND EXISTING TRAFFIC SIGNAL EQUIPMENT TO BE REMOVED IL ROUTE 25 AT NEW YORK STREET

FILE NAME =	USER NAME = .USER.	DESIGNED -	REVISED -
...\\698.3.sigs@sa-newyork-illdot.dgn		DRAWN BAH	REVISED -
		CHECKED APS	REVISED -
		DATE JAN 23 2009	REVISED -

PLDT SCALE = #SCALE#	
PLDT DATE = 2/11/2009	

SCALE:	SHEET NO. OF SHEETS	STA. TO STA.
--------	---------------------	--------------

F.A.U. RTE.	SECTION	COUNTY	TOTAL SHEETS	SHEET NO.
2503	2009-002 TS	KANE	34	20
CONTRACT NO. 60F99				
FED. ROAD DIST. NO. ILLINOIS FED. AID PROJECT				