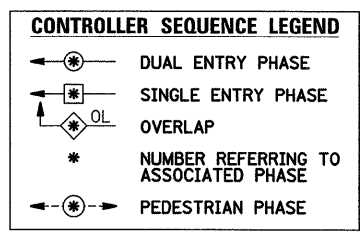
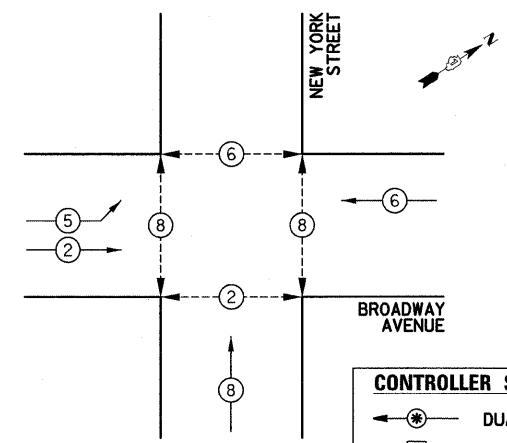


PLAN	SURVEYED	DATE
	PLOTTED	BY
	NOTED	
	RT. OF WAY CHECKED	
	NO. FILE NAME	

PROFILE	SURVEYED	DATE
	PLOTTED	BY
	NOTED	
	RT. OF WAY CHECKED	
	NO. FILE NAME	

**TEMPORARY CONTROLLER SEQUENCE**

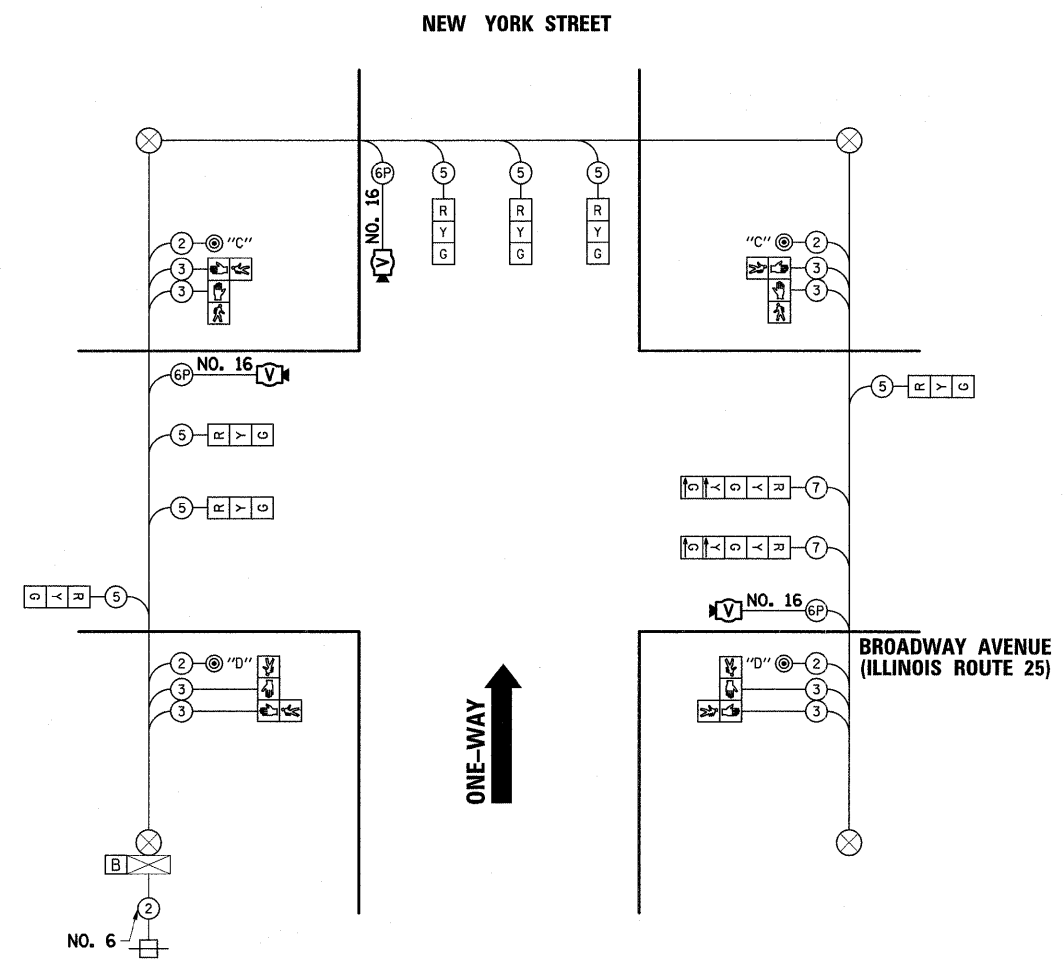


**TEMPORARY PHASE DESIGNATION DIAGRAM**

PUSHBUTTONS "C" SHALL PLACE A CALL IN PHASES 6 AND 8  
 PUSHBUTTONS "D" SHALL PLACE A CALL IN PHASES 8 AND 2

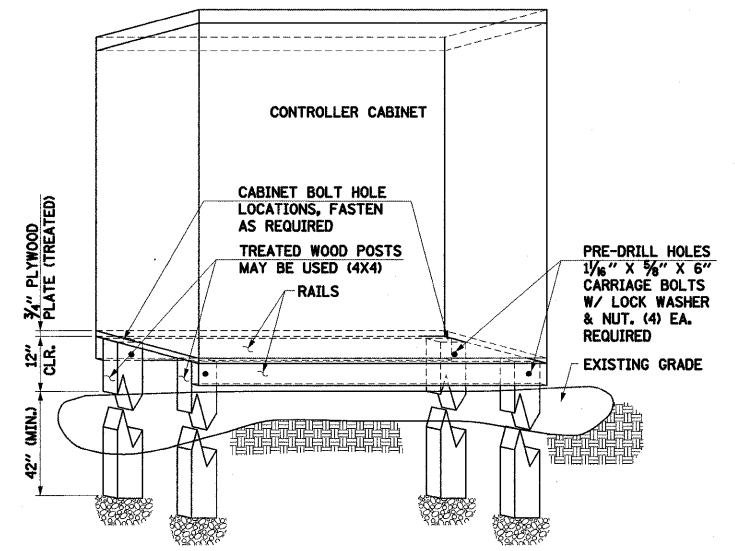
**TEMPORARY CABLE DIAGRAM LEGEND**

- ⊠ TEMPORARY TRAFFIC SIGNAL SECTION OR PEDESTRIAN SIGNAL SECTION 12" (300mm)
- ⊠ TEMPORARY CONTROLLER CABINET
- ⊠ TEMPORARY SERVICE INSTALLATION
- ⊙ INDICATES NUMBER OF CONDUCTORS IN CABLE. ALL CONDUCTORS TO BE NO. 14 AWG WIRE UNLESS OTHERWISE NOTED.
- ⊠ EMERGENCY VEHICLE LIGHT DETECTOR
- ⊠ CONFIRMATION BEACON
- ⊠ VEHICLE DETECTOR, INDUCTION LOOP
- ⊙ PEDESTRIAN PUSHBUTTON DETECTOR
- ⊠ 12" (300mm) PEDESTRIAN SIGNAL SECTION
- ⊠ VIDEO DETECTION CAMERA
- ⊠ UNINTERRUPTIBLE POWER SUPPLY



CONTROLLER CABINET TYPE AND DIMENSIONS VARY. THE CONTRACTOR SHALL BE RESPONSIBLE FOR CORRECT CABINET DIMENSIONS PRIOR TO THE CONSTRUCTION OF THE CABINET MOUNTING PLATFORM SHOWN BELOW.

CABINET PLATFORM LEGS AND RAILS SHALL BE CONSTRUCTED OF 2" X 6" TREATED WOOD TO RESIST WEATHERING.



**TEMPORARY SIGNAL CONTROLLER WOOD SUPPORT PLATFORM DETAIL**  
(NOT TO SCALE)

I.D.O.T TRAFFIC SIGNAL INSTALLATION ELECTRICAL SERVICE REQUIREMENTS					TOTAL WATTAGE
TYPE	NO. LAMPS	WATTAGE		% OPERATION	
		INCAND.	LED		
SIGNAL (RED)	9		17	0.50	76.5
(YELLOW)	9		25	0.25	56.3
(GREEN)	9		15	0.25	33.8
ARROW	4		12	0.10	4.8
PED. SIGNAL	8		25	1.00	200
CONTROLLER	1		100	1.00	100
VIDEO SYSTEM	1		15	1.00	15
UPS	1		25	1.00	25
TOTAL =					511.4

ENERGY COSTS TO: CITY OF AURORA  
44 E. DOWNER PLACE  
AURORA, ILLINOIS 60507-2067

ENERGY SUPPLY CONTACT: MARK SCHERIBEL  
PHONE: (630) 723-2128  
COMPANY: COMMONWEALTH EDISON