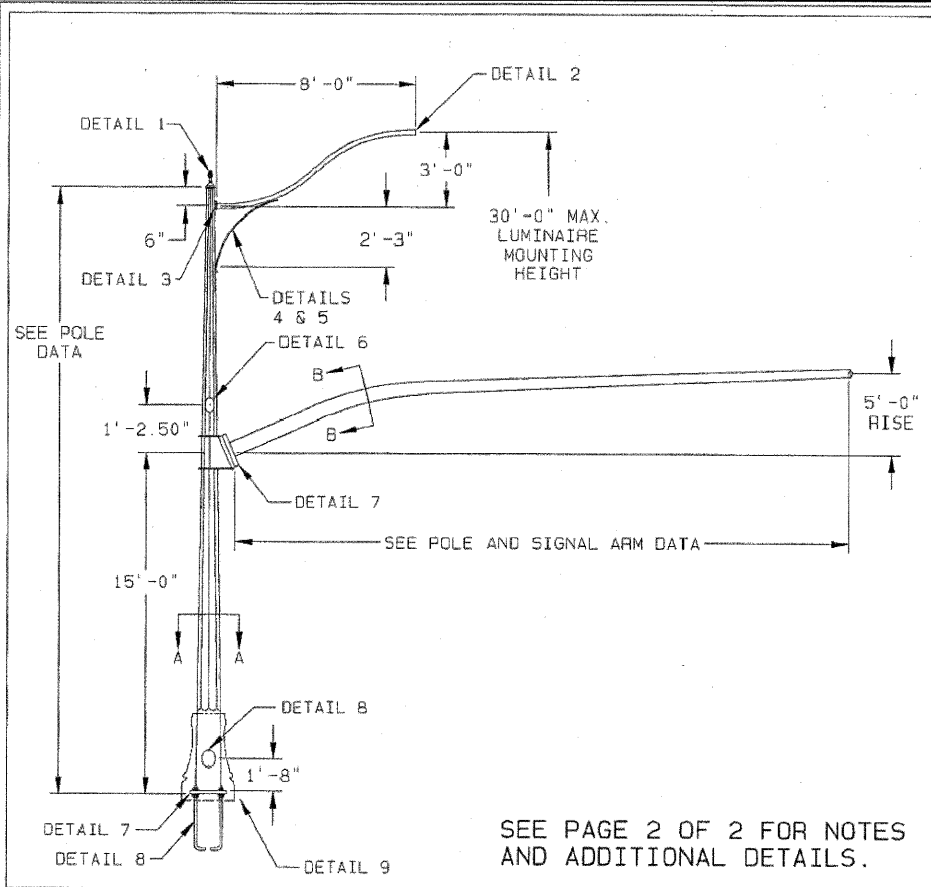
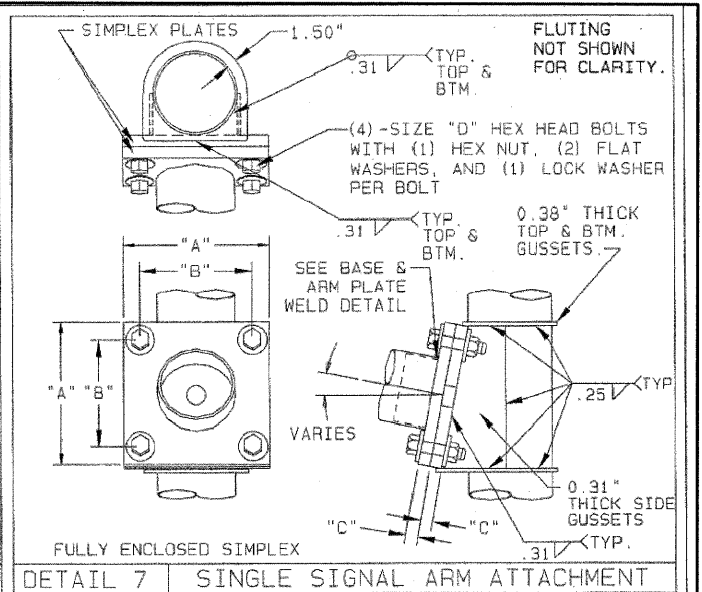
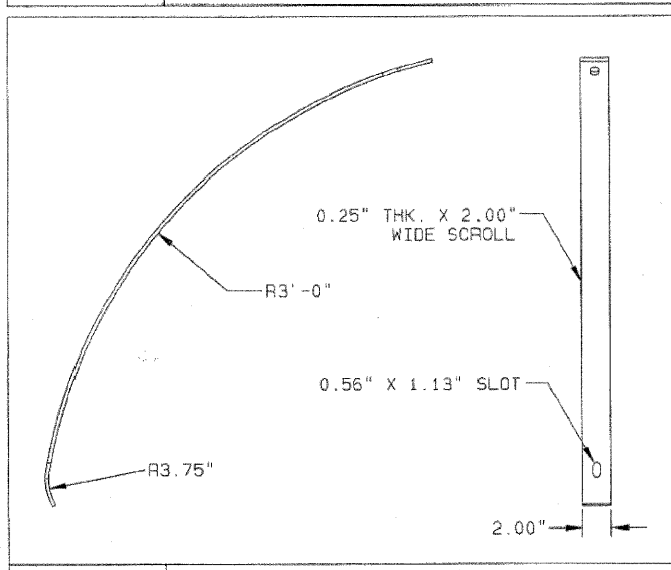
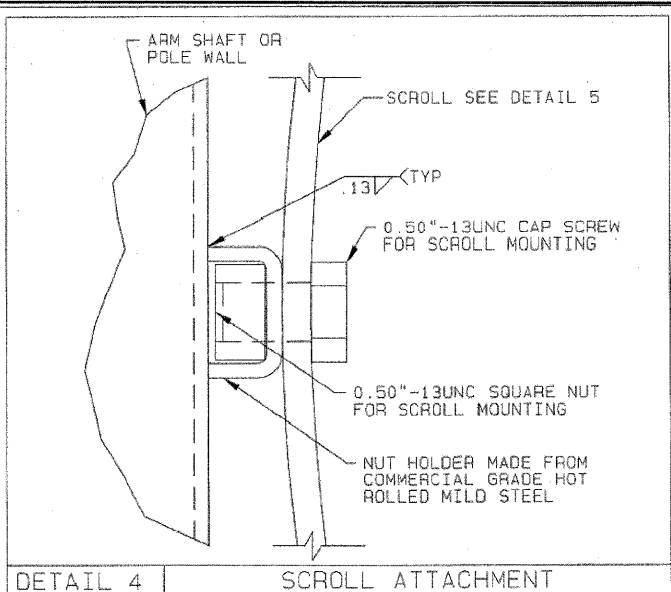
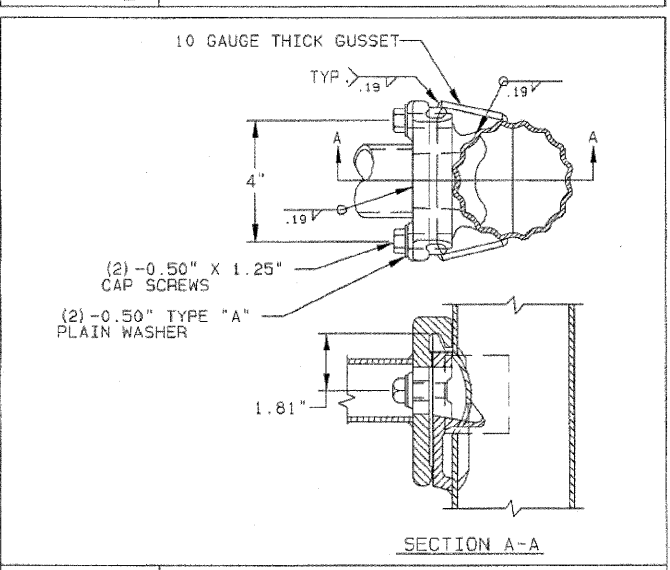
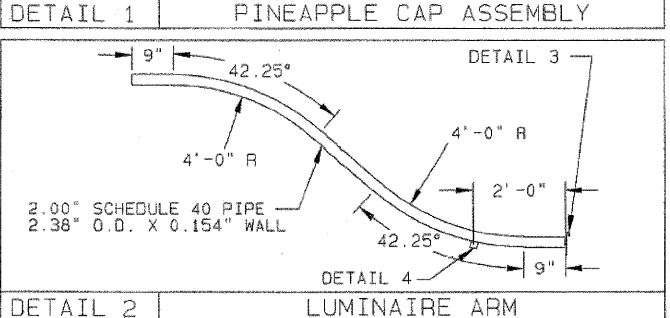
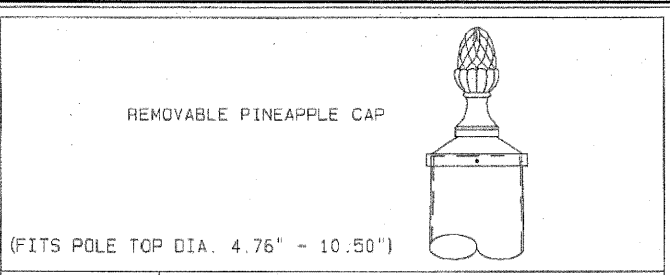


DATE: _____ BY: _____
 SURVEYED _____ PLOTTED _____
 PLAN NOTE BOOK _____ CHECKED _____
 NO. _____ STRUCTURE NOTATION: _____
 CAD FILE NAME: _____

DATE: _____ BY: _____
 SURVEYED _____ PLOTTED _____
 PROFILE NOTE BOOK _____ CHECKED _____
 NO. _____ STRUCTURE NOTATION: _____

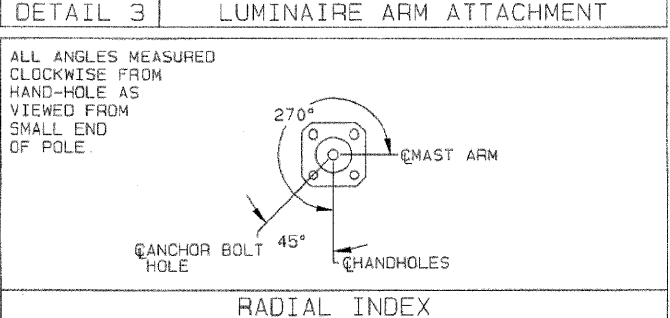
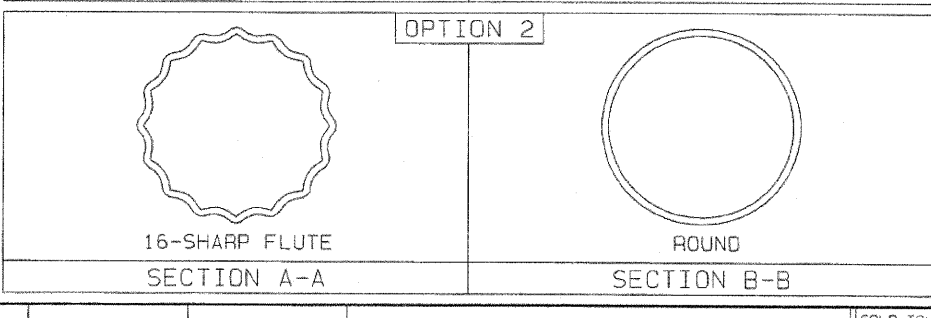
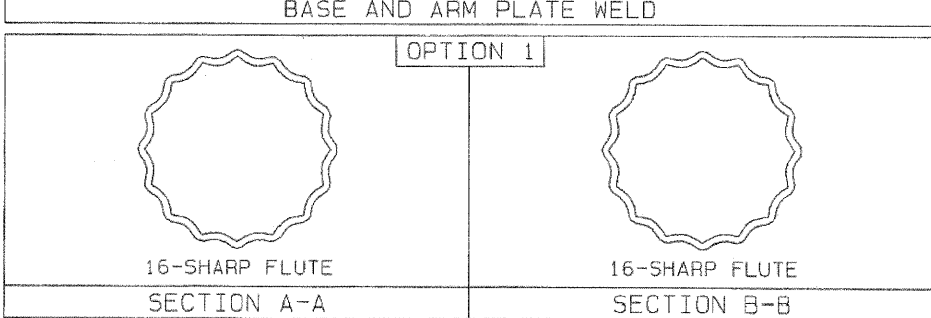
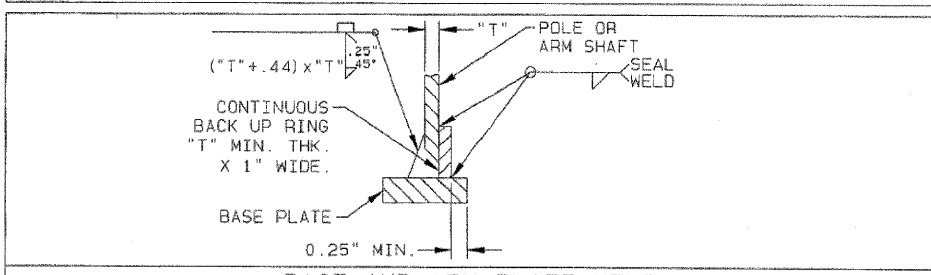


SEE PAGE 2 OF 2 FOR NOTES AND ADDITIONAL DETAILS.



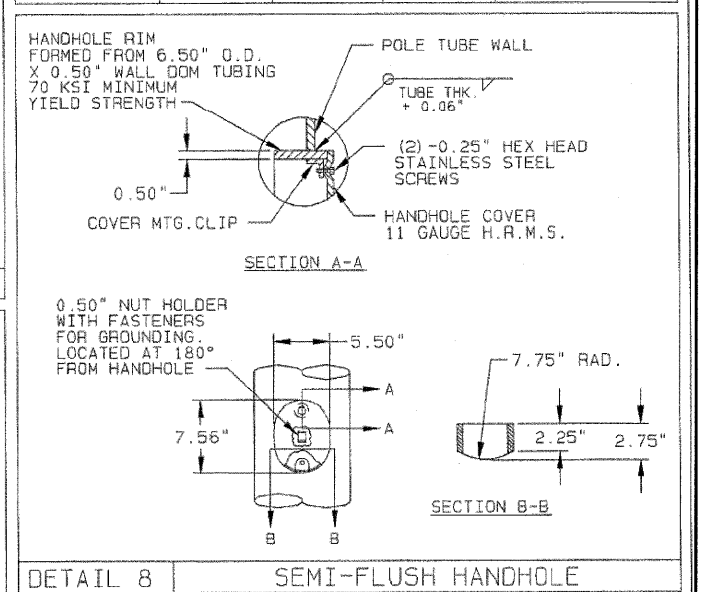
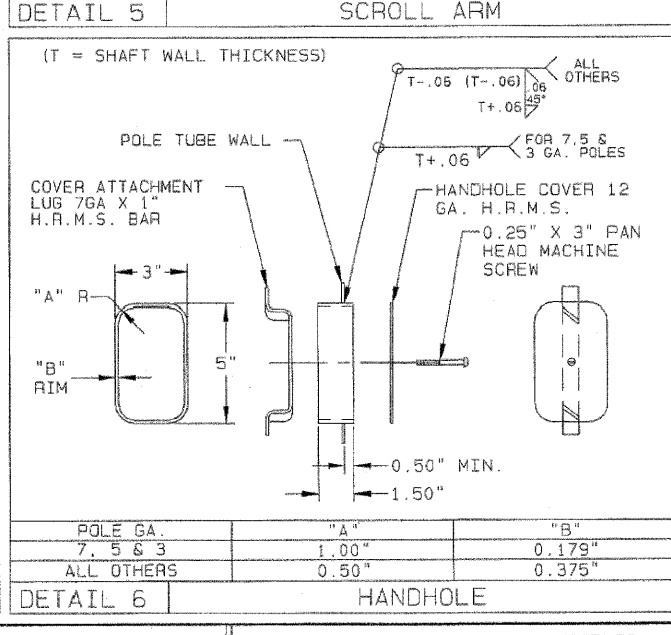
SIGNAL ARM ATTACHMENT DATA

ARM SPAN (FT)	"A" (IN)	"B" (IN)	"C" (IN)	"D"
20.00	17.25	14.00	1.75	1.25" X 5.25"



FINISH NOTE

BASE COAT: HOT DIP GALVANIZE
 TOP COAT: TGIC OR URETHANE POLYESTER POWDER
 COLOR: BLACK
 VALMONT SPEC: F283A



REV: _____	DATE: _____	BY: _____	DESCRIPTION: _____	SOLD TO: _____	SHIP TO: _____	P.O. #: _____	AGENT: LIGHTING SOLUTIONS	JOB: _____	TITLE: TRAFFIC SIGNAL STRUCTURES	VALMONT INDUSTRIES, INC. RESERVES THE RIGHT TO INSTALL VARIOUS, ENGINEER APPROVED, MATERIAL HANGING ACCOMMODATIONS TO FACILITATE THE MANUFACTURING PROCESS.	valmont	ORDER NUMBER: 42203-07	PAGE NUMBER: 1 OF 2	DRAWING NUMBER: IL4220307	REV: _____
FILE NAME: ...dot\690...3...dot\01...DOT.dgn	USER NAME: .USER.	DESIGNED: _____	REVISOR: _____	STATE OF ILLINOIS	DEPARTMENT OF TRANSPORTATION	MISCELLANEOUS DETAILS	SCALE: _____	SHEET NO. _____ OF _____ SHEETS	STA. _____ TO STA. _____	F.A.U. RTE. 2503	SECTION 2009-002 TS	COUNTY KANE	TOTAL SHEETS 34	SHEET NO. 28	CONTRACT NO. 60F99