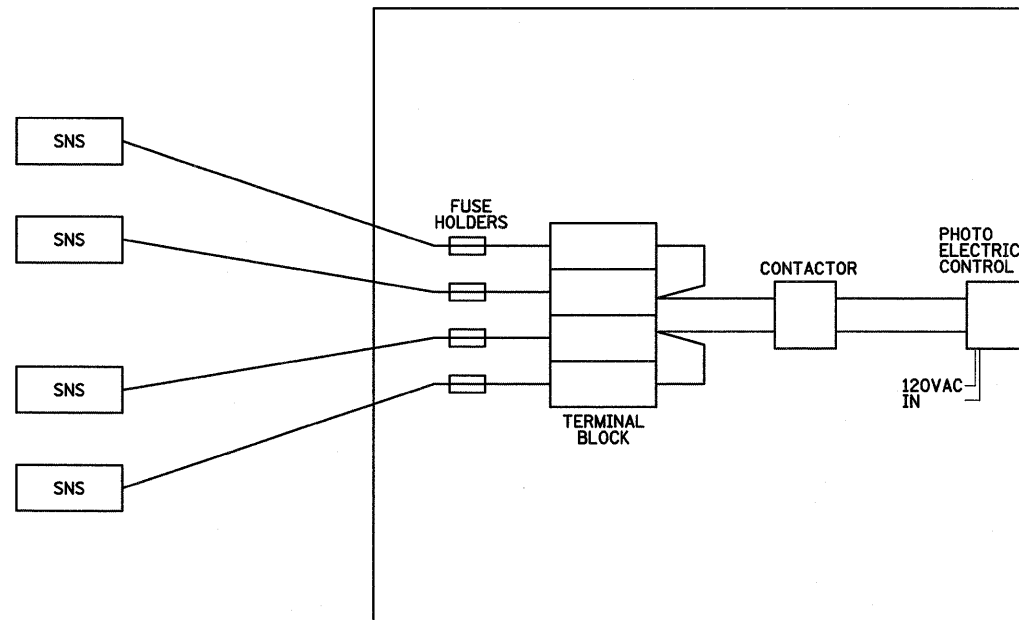


PLAN	SURVEYED	DATE
NOTE BOOK NO.	PLANNED	BY
	DESIGNED	
	CHECKED	
	DATE	
	BY	
	DATE	

PROFILE	SURVEYED	DATE
NOTE BOOK NO.	PLANNED	BY
	DESIGNED	
	CHECKED	
	DATE	
	BY	
	DATE	



LED STREET NAME SIGNS – PHOTOCCELL WIRING DETAIL

FILE NAME = ...:\dot\690.3.d\04_100T.dgn	USER NAME = _USER_	DESIGNED -	REVISED -	STATE OF ILLINOIS DEPARTMENT OF TRANSPORTATION	MISCELLANEOUS DETAILS			F.A.U. RTE.	SECTION	COUNTY	TOTAL SHEETS	SHEET NO.
		DRAWN <i>BAH</i>	REVISED -					2503	2009-002 TS	KANE	34	31
		PLOT SCALE = #SCALE#	REVISED -		SCALE: SHEET NO. OF SHEETS STA. TO STA.			CONTRACT NO. 60F99				
		PLOT DATE = 2/11/2009	REVISED -		FED. ROAD DIST. NO. ILLINOIS FED. AID PROJECT							