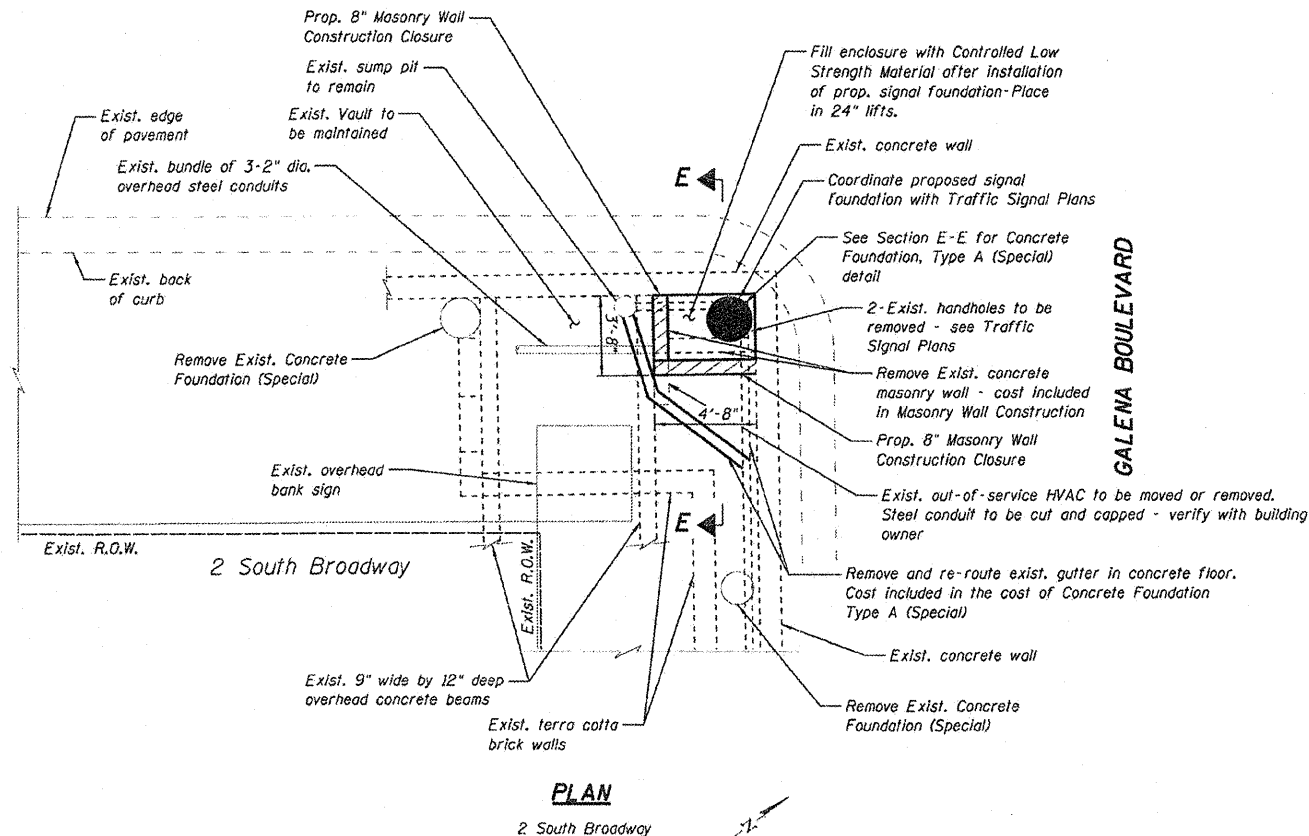


PLAN	DATE
DESIGNED	BY
DRAWN	BY
CHECKED	BY
IN CHARGE	BY
DATE	

PROFILE	DATE
DESIGNED	BY
DRAWN	BY
CHECKED	BY
IN CHARGE	BY
DATE	

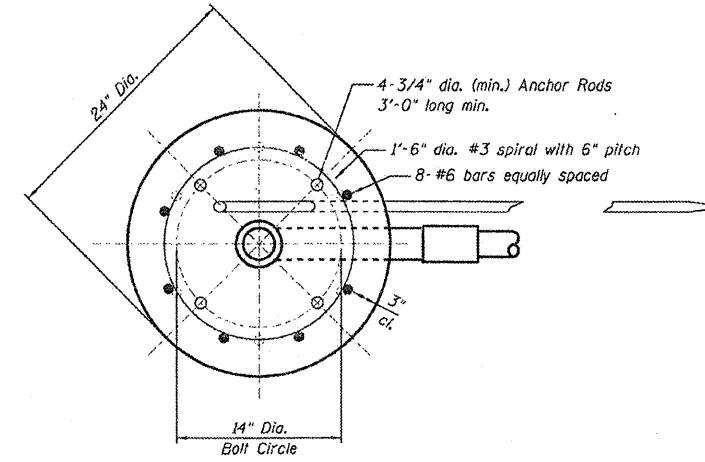
**BROADWAY AVENUE**



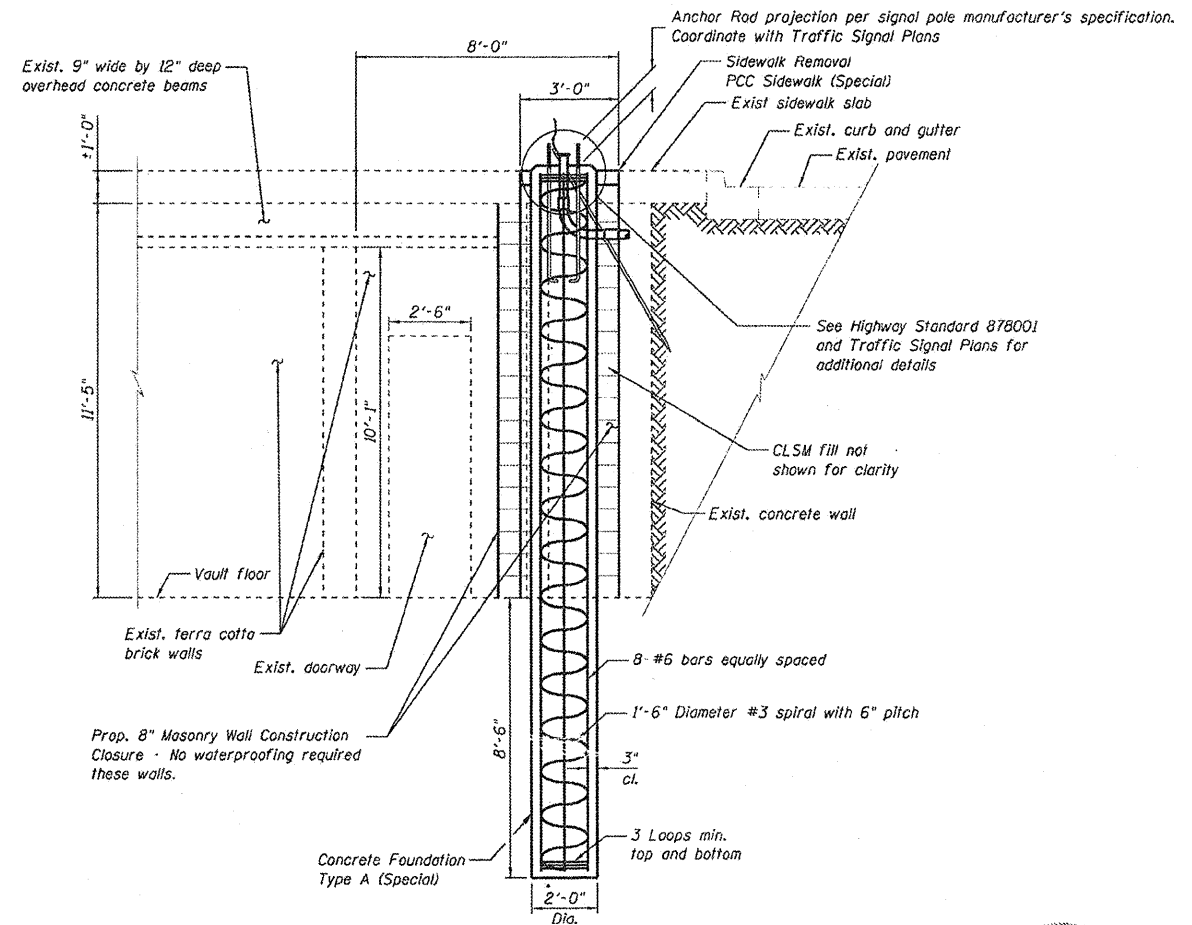
**PLAN**

2 South Broadway

**GALENA BOULEVARD**



**TOP PLAN**  
**CONCRETE FOUNDATION TYPE A (SPECIAL)**



**SECTION E-E**



FILE NAME = 072693_3_vault.dwt(24.dgn)	USER NAME = #USER#	DESIGNED <i>KMA</i>	REVISED -	<b>STATE OF ILLINOIS</b> <b>DEPARTMENT OF TRANSPORTATION</b>	<b>SIDEWALK VAULT DETAILS</b> <b>IL ROUTE 25 (BROADWAY AVENUE) AT GALENA BOULEVARD</b>	F.A. RTE. 2009-002 TS, DR-313-09 & CR-313-09	COUNTY KANE	TOTAL SHEETS 34	SHEET NO. 34/D	
	PLT SCALE = N.T.S.	DRAWN <i>WJH</i>	REVISED -			SCALE:	SHEET NO. OF SHEETS STA. TO STA.	FED. ROAD DIST. NO.	ILLINOIS FED. AID PROJECT	CONTRACT NO. 60F99
	PLT DATE = 2/11/2009	CHECKED <i>ROD</i>	REVISED -							
		DATE <i>JAN 16 2009</i>	REVISED -							