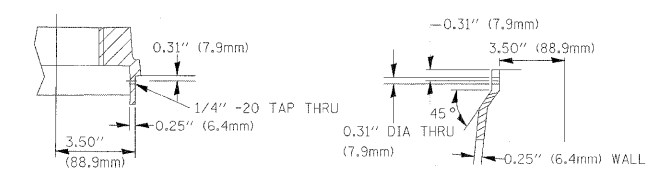
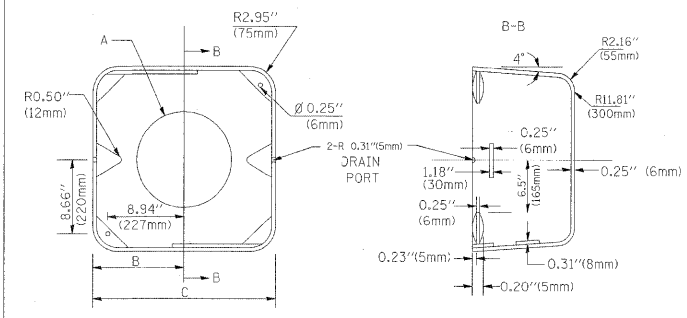


SECTION B-B



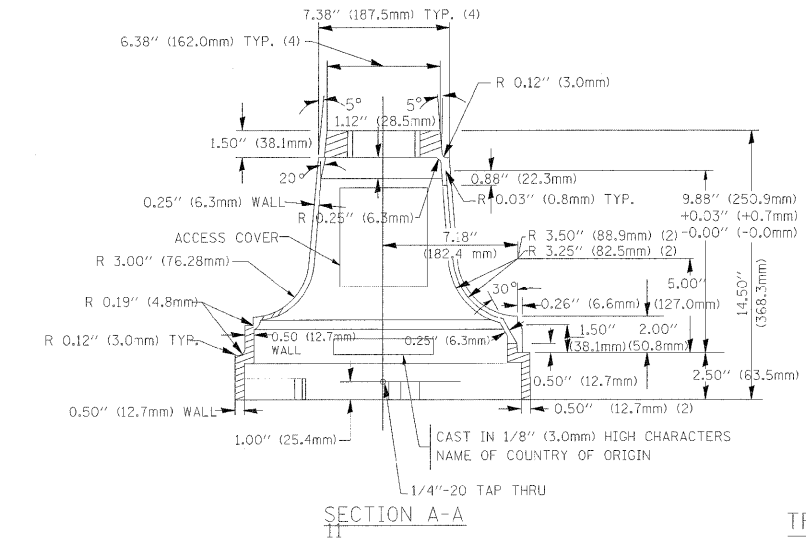
SECTION D-D



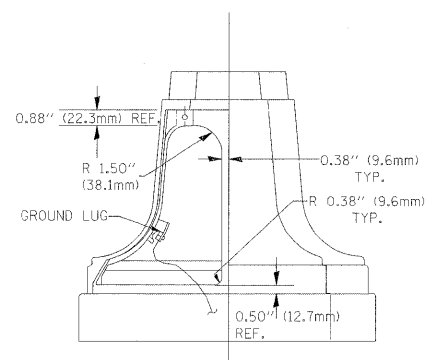
MATERIAL:
 - ASTM A48 CLASS 30 GREY IRON
 - ASTM A123 HOT DIPPED GALVANIZED

TYPE	A	B	C	HEIGHT	WEIGHT
I	Ø 10.125\"(257mm)	9.5\"(241mm)	19\"(483mm)	12\"(300mm)	24kg
II	Ø 11.125\"(283mm)	10.75\"(273mm)	21.5\"(546mm)	12\"(300mm)	26kg

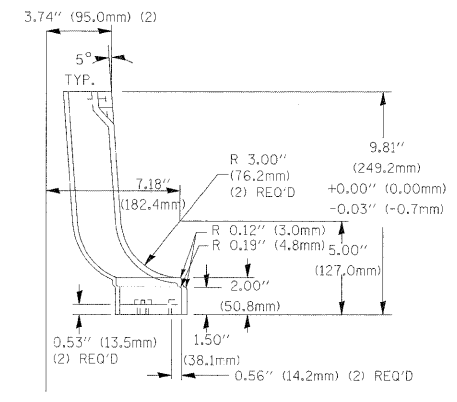
SHROUD DETAIL



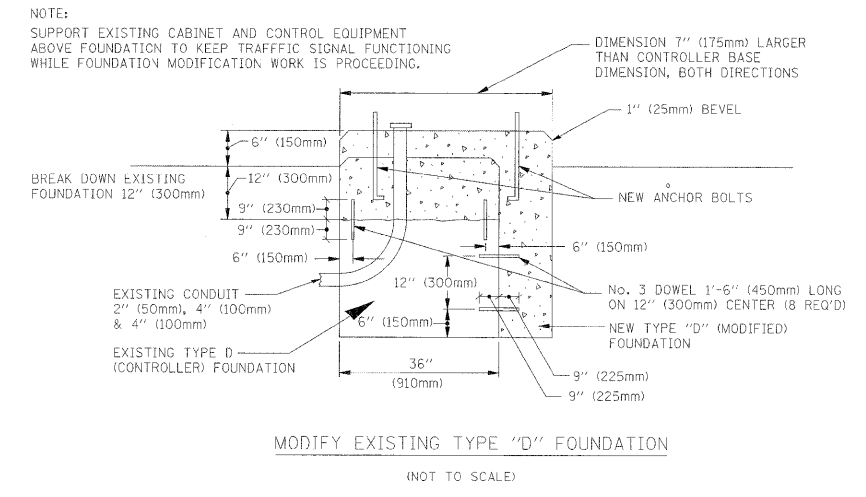
SECTION A-A



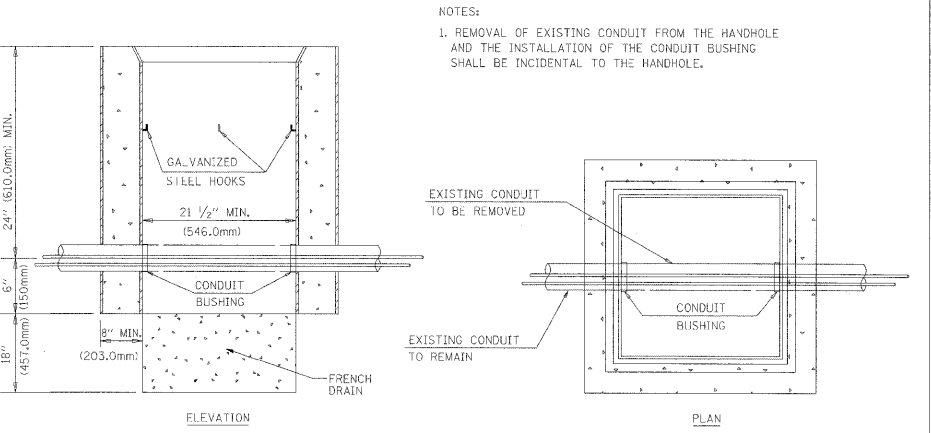
VIEW C-C



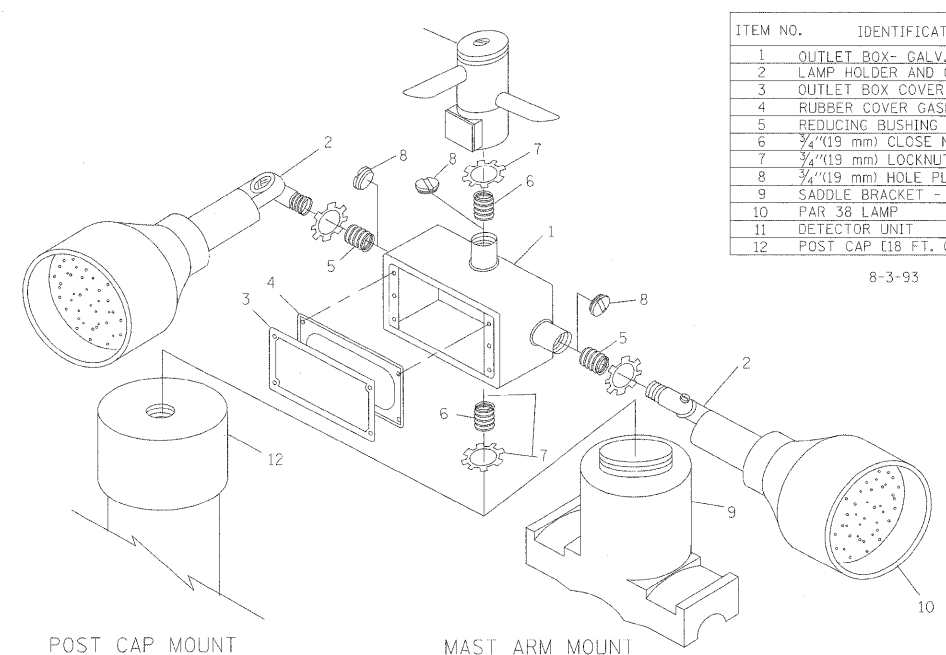
TRAFFIC SIGNAL POST - MOUNTING BASE - TYPE A



MODIFY EXISTING TYPE "D" FOUNDATION



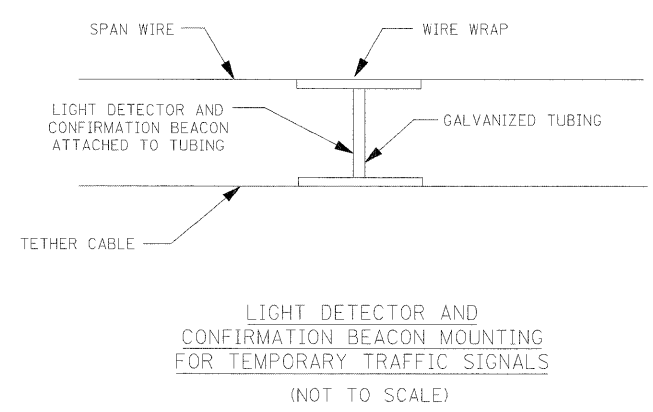
DETAIL HANDHOLE TO INTERCEPT EXISTING CONDUIT N.T.S.



ITEM NO.	IDENTIFICATION
1	OUTLET BOX- GALV. 21 CU.IN. (0.000344 CU-M)
2	LAMP HOLDER AND COVER
3	OUTLET BOX COVER
4	RUBBER COVER GASKET
5	REDUCING BUSHING
6	¾\"(19 mm) CLOSE NIPPLE
7	¾\"(19 mm) LOCKNUT
8	¾\"(19 mm) HOLE PLUG
9	SADDLE BRACKET - GALV.
10	PAR 38 LAMP
11	DETECTOR UNIT
12	POST CAP (18 FT. (5.4 m) POST MIN.)

NOTES:

- ALL ELECTRICAL ITEMS, EXCEPT ITEMS #2 AND #11 SHALL BE ALUMINUM OR GALVANIZED
- ITEM #1- OZ/GEDNEY FSX-1-50 OR EQUIVALENT
 ITEM #2- MULBERRY CON-0-SHADE LAMP SHIELD OR EQUIVALENT
 ITEM #9- "BAND-IT" SADDLE BRACKET OR EQUIVALENT
- WHEN POST MOUNTING IS SPECIFIED, ITEM #9 SHALL NOT BE REQUIRED. THE DETECTION UNIT SHALL BE MOUNTED DIRECTLY ON TOP OF THE CAP BY DRILLING AND TAPPING A ¾\"(19 mm) HOLE WITH PIPE THREADS. THE POST CAP SHALL EITHER BE SCREWED TO THE TOP OF THE POST OR A MINIMUM OF 3 TIGHTENING SCREWS SHALL BE REQUIRED ON EACH CAP.



LIGHT DETECTOR AND CONFIRMATION BEACON MOUNTING FOR TEMPORARY TRAFFIC SIGNALS (NOT TO SCALE)

REVISIONS	
NAME	DATE

ILLINOIS DEPARTMENT OF TRANSPORTATION
 DISTRICT ONE
 STANDARD TRAFFIC SIGNAL DESIGN DETAILS
 SCALE: VERT. NONE HORIZ. 1/8\"/>

FILE NAME = P:\P-08-1600-4\Design\1.87th at Kedzie\Sheet\SHD006.DGN	USER NAME = #USER#	DESIGNED - NB/TCM	REVISED -
PLOT SCALE = 60.0001\"/>			
PLOT DATE = 1/27/2009	DATE - 01/23/2009	CHECKED - NB/TCM	REVISED -

STATE OF ILLINOIS
 DEPARTMENT OF TRANSPORTATION

DISTRICT ONE
 STANDARD TRAFFIC SIGNAL DESIGN DETAILS

SCALE: NTS SHEET NO. 4 OF 4 SHEETS STA. TO STA.

F.A.P. RTE. 395	SECTION 2009-010 TS	COUNTY COOK	TOTAL SHEETS 11	SHEET NO. 6
FED. ROAD DIST. NO. ILLINOIS		FED. AID PROJECT		