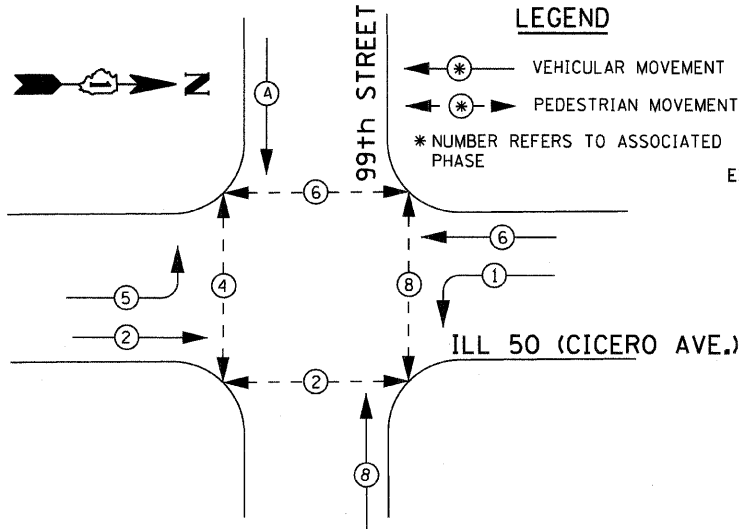


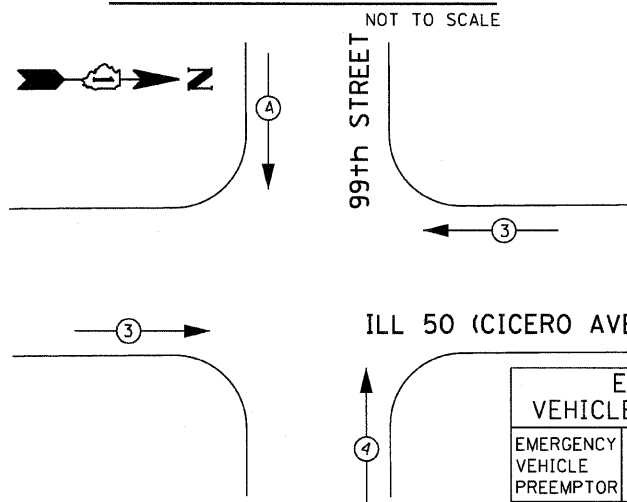
CONTROLLER SEQUENCE IV

REFERRING TO STANDARD 2393-1, THE VEHICULAR AND PEDESTRIAN PHASES USED DESIGNATED BELOW

LEGEND



EXISTING & PROPOSED PHASE DESIGNATION DIAGRAM
NOT TO SCALE

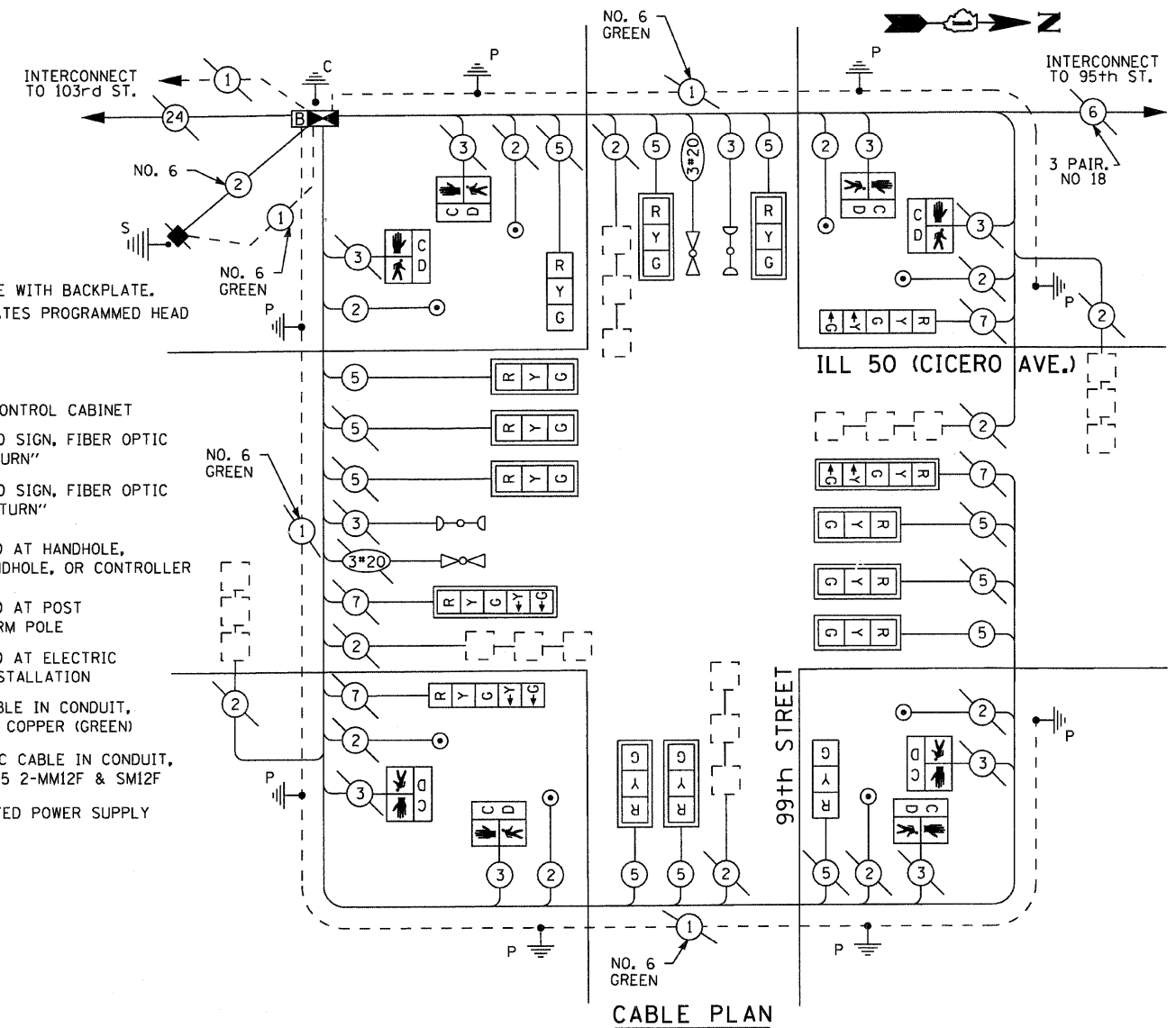


EMERGENCY VEHICLE PREEMPTION SEQUENCE

EMERGENCY VEHICLE PREEMPTORS		
EMERGENCY VEHICLE PREEMPTOR	3	4
MOVEMENT	← →	↓ ↑

CABLE PLAN LEGEND

- | | | |
|-----------------|-----------------|---|
| EXISTING | PROPOSED | |
| (G) | (G) | 8" (200mm) TRAFFIC SIGNAL SECTION |
| (R) | (R) | 12" (300mm) TRAFFIC SIGNAL SECTION |
| (W) | (W) | 12" (300mm) PEDESTRIAN SIGNAL SECTION |
| (C) | (C) | 12" (300mm) PEDESTRIAN SIGNAL SECTION W/ COUNTDOWN TIMER |
| (C) | (C) | CONTROLLER CABINET |
| (S) | (S) | SERVICE INSTALLATION |
| (T) | (T) | TELEPHONE CONNECTION |
| (M) | (M) | MAGNETIC DETECTOR |
| (E) | (E) | EMERGENCY VEHICLE LIGHT DETECTOR |
| (B) | (B) | CONFIRMATION BEACON |
| (P) | (P) | PUSHBUTTON DETECTOR |
| (V) | (V) | VEHICLE DETECTOR, INDUCTION LOOP |
| (2) | (2) | DENOTES NUMBER OF CONDUCTORS, ALL CABLE NO. 14 EXCEPT AS INDICATED. ALL LOOP DETECTOR CABLE TO BE SHIELDED. |
-
- | | | |
|-----------------|-----------------|--|
| EXISTING | PROPOSED | |
| (R) | (R) | SIGNAL FACE WITH BACKPLATE. |
| (P) | (P) | "P" INDICATES PROGRAMMED HEAD |
| (B) | (B) | RAILROAD CONTROL CABINET |
| (N) | (N) | ILLUMINATED SIGN, FIBER OPTIC "NO LEFT TURN" |
| (R) | (R) | ILLUMINATED SIGN, FIBER OPTIC "NO RIGHT TURN" |
| (H/C) | (H/C) | GROUND ROD AT HANDHOLE, DOUBLE HANDHOLE, OR CONTROLLER |
| (P) | (P) | GROUND ROD AT POST OR MAST ARM POLE |
| (S) | (S) | GROUND ROD AT ELECTRIC SERVICE INSTALLATION |
| (1) | (1) | GROUND CABLE IN CONDUIT, NO.6 SOLID COPPER (GREEN) |
| (24) | (24) | FIBER OPTIC CABLE IN CONDUIT, NO. 62.5/125 2-MM12F & SM12F |
| (B) | (B) | UNINTERRUPTED POWER SUPPLY |



SCHEDULE OF QUANTITIES

ITEM	UNIT	QUANTITY
MAINTENANCE OF EXISTING TRAFFIC SIGNAL INSTALLATION	EACH	1
CONDUIT IN TRENCH, 2 1/2" DIA., GALVANIZED STEEL	FOOT	25
ELECTRIC CABLE IN CONDUIT, SIGNAL NO. 14 2C	FOOT	326
ELECTRIC CABLE IN CONDUIT, SIGNAL NO. 14 3C	FOOT	452
ELECTRIC CABLE IN CONDUIT, SIGNAL NO. 14 5C	FOOT	1016
DRILL EXISTING HANDHOLE	EACH	3
STEEL MAST ARM ASSEMBLY AND POLE, 22 FT.	EACH	2
CONCRETE FOUNDATION, TYPE E	FOOT	20
SIGNAL HEAD, L.E.D., 1-FACE, 3-SECTION, BRACKET MOUNTED	EACH	2
SIGNAL HEAD, L.E.D., 1-FACE, 3-SECTION, MAST ARM MOUNTED	EACH	10
SIGNAL HEAD, L.E.D., 1-FACE, 5-SECTION, BRACKET MOUNTED	EACH	2
SIGNAL HEAD, L.E.D., 1-FACE, 5-SECTION, MAST ARM MOUNTED	EACH	2
PEDESTRIAN SIGNAL HEAD, L.E.D., 1-FACE, BRACKET MOUNTED WITH COUNTDOWN TIMER	EACH	8
TRAFFIC SIGNAL BACKPLATE, LOUVERED, ALUMINUM	EACH	12
FULLY ACTUATED CONTROLLER AND TYPE IV CABINET, SPECIAL	EACH	1
UNINTERRUPTABLE POWER SUPPLY	EACH	1
PEDESTRIAN PUSH-BUTTON	EACH	8
PEDESTRIAN PUSH-BUTTON POST, GALVANIZED STEEL, TYPE II	EACH	1
REMOVE EXISTING TRAFFIC SIGNAL EQUIPMENT	EACH	1
TRENCH AND BACKFILL FOR ELECTRICAL WORK	FOOT	25
INDUCTIVE LOOP DETECTOR	EACH	6
SERVICE INSTALLATION, POLE MOUNT	EACH	1
ELECTRIC CABLE IN CONDUIT, GROUNDING, NO.6 1C	FOOT	34.5
ELECTRIC CABLE IN CONDUIT, NO. 6 2C	FOOT	34.5
REMOVE EXISTING CONCRETE FOUNDATION	EACH	2
ELECTRIC CABLE IN CONDUIT NO. 20 3/C, TWISTED, SHIELDED	FOOT	161
TRANSCEIVER - FIBER OPTIC	EACH	1
TEMPORARY INFORMATION SIGNING	50 FT	40

THE TRAFFIC SIGNAL CONTROL EQUIPMENT FOR THIS PROJECT SHALL BE "ECONOLITE" TO MATCH THE EXISTING ADJACENT SYSTEM

I. D. O. T.
TRAFFIC SIGNAL INSTALLATION
ELECTRICAL SERVICE REQUIREMENTS

TYPE	NO. LAMPS	WATTAGE		% OPERATIONS	TOTAL
		INCAND.	LED		
SIGNAL (RED)	16	135	17	0.50	136
(YELLOW)	16	135	25	0.25	100
(GREEN)	16	135	15	0.25	60
ARROW	8	135	12	0.10	9.6
PED. SIGNAL	8	90	25	1.00	200
CONTROLLER	1	100	100	100	100
ILLUM. SIGN				0.05	
TOTAL =					605.6

FOUNDATION DEPTH	DEPTH (FT.)	CABLE SLACK (FT.)	VERTICAL (FT.)
TYPE A - POST	4	HANDHOLE	6.5
D - CONTROLLER	4	DOUBLE HANDHOLE	13
E - MAST ARM POLE		SIGNAL POST	2
24"	10	CONTROLLER CAB.	1
30"	15	FIBER OPTIC	13
		ELECTRICAL SERVICE	1
		GROUND CABLE	1

ENERGY COSTS - BILLED TO: IDOT DISTRICT 1
201 WEST CENTER COURT
SCHAMBURG, IL 60196-1096

ENERGY SUPPLY - CONTACT MILTON RAY
PHONE (708) 235-2315
COMPANY COMED