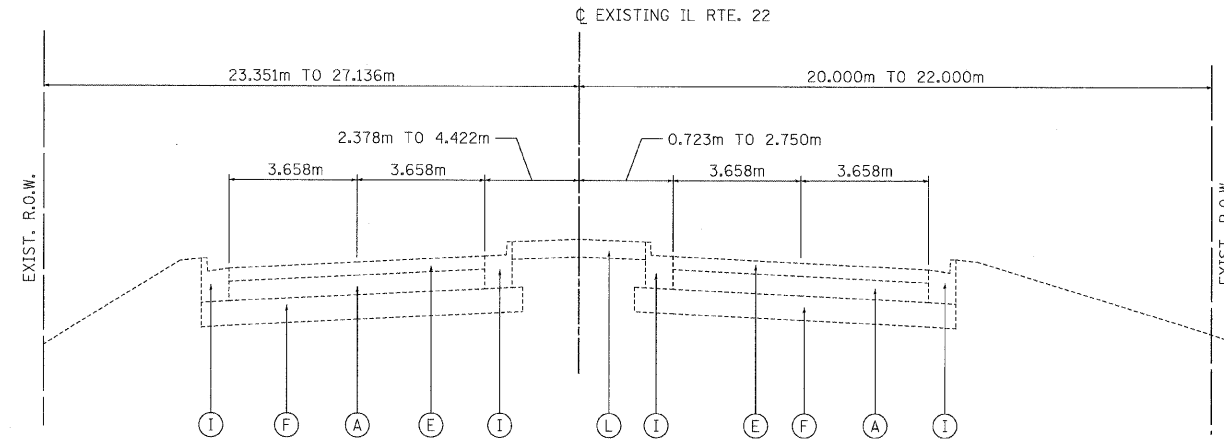
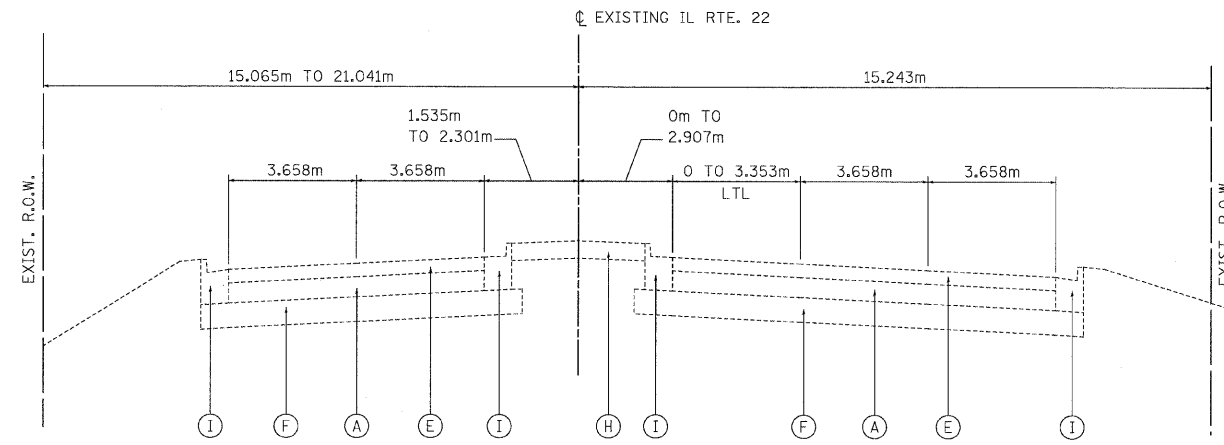


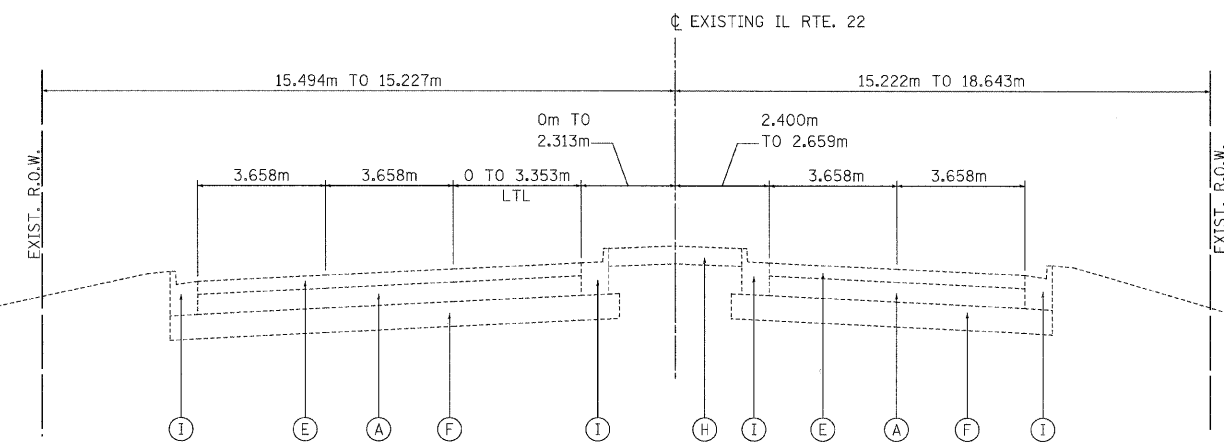
F.A.P. RTE.	SECTION	COUNTY	TOTAL SHEETS	SHEET NO.
337	20R-6	LAKE	149	11
STA.	TO STA.			
FED. ROAD DIST. NO.	ILLINOIS FED. AID PROJECT			
CONTRACT NO. 62519				



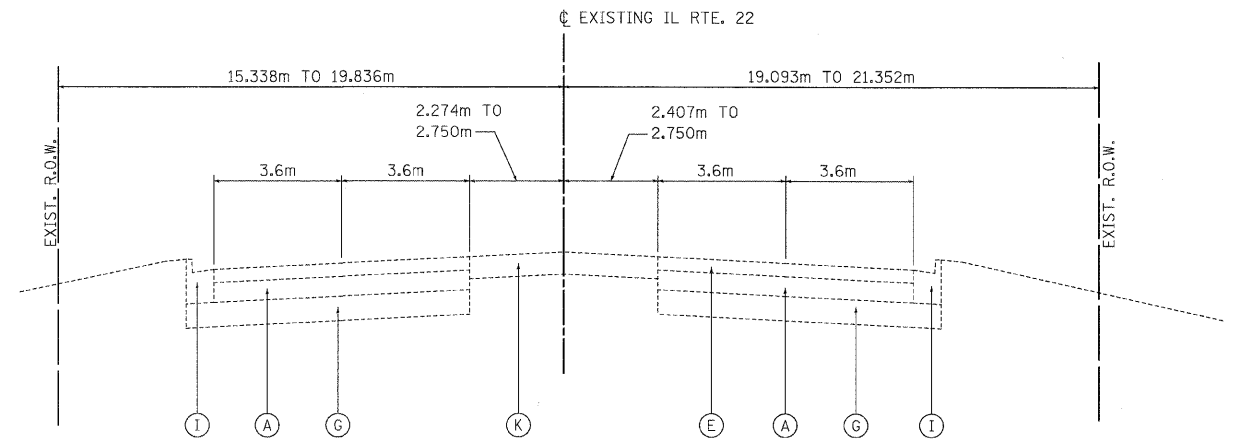
(E-0) ILLINOIS ROUTE 22
STA. 104+517.919 TO STA. 104+600.000



(E-1) ILLINOIS ROUTE 22
STA. 104+600.000 TO STA. 104+818.038



(E-2) ILLINOIS ROUTE 22
STA. 104+818.038 TO STA. 104+902.347



(E-3) ILLINOIS ROUTE 22
STA. 104+902.347 TO STA. 104+995.000

NOTE:

- NO ADDITIONAL COMPENSATION WILL BE ALLOWED TO THE CONTRACTOR BECAUSE OF VARIATION FROM THE ASSUMED THICKNESS OR FROM THE THICKNESS SHOWN ON THE PLANS EVEN IF THAT THICKNESS MEASURES MORE THAN 4 INCHES AND EVEN IF MULTIPLE PASSES OF THE REMOVAL EQUIPMENT ARE REQUIRED. THIS REQUIREMENT SHALL NOT BE A CAUSE FOR CLAIMING DELAY.

REVISIONS	
NAME	DATE

ILLINOIS DEPARTMENT OF TRANSPORTATION
FAP ROUTE 337 (IL ROUTE 22)

EXISTING TYPICAL SECTIONS

SCALE: NONE
DATE: 1/28/2009

DRAWN BY: TCK
CHECKED BY: DTH

tkoeppen(Rdwy_Lisle) 2/5/2009 5:06:01 PM PDF(Grey_Large).plt P:\Lisle\ID0T\9171-A0\Drawings\RDWY\Min\Shfts\Typ\S_XTyp_01.dgn

