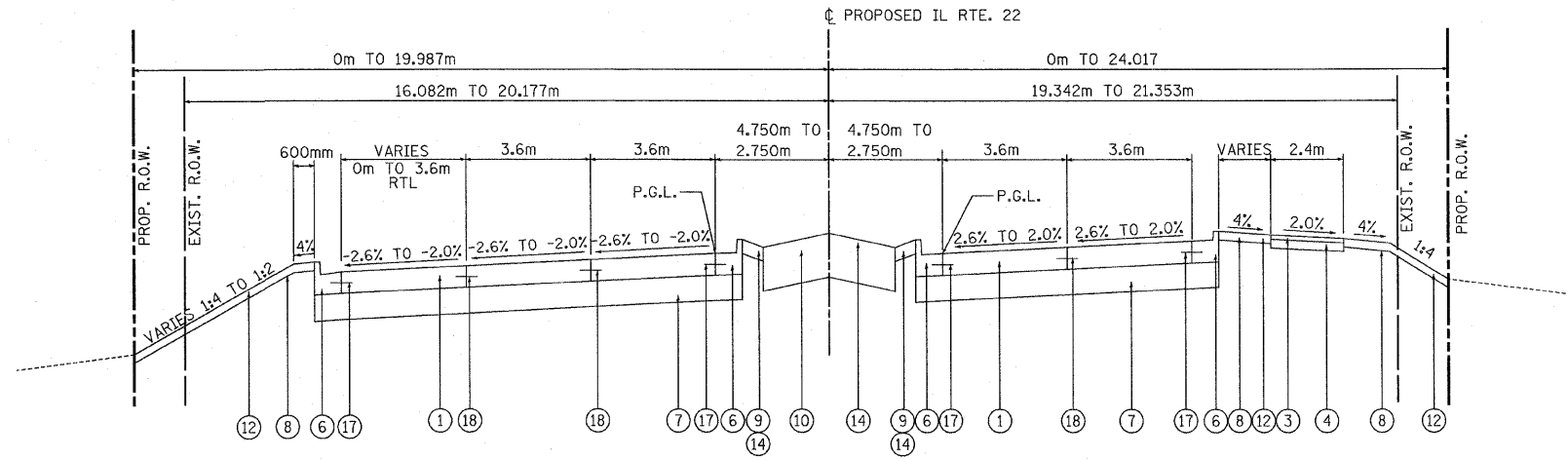


F.A.P. RTE.	SECTION	COUNTY	TOTAL SHEETS	SHEET NO.
337	20R-6	LAKE	149	14
STA.		TO STA.		
FED. ROAD DIST. NO.		ILLINOIS FED. AID PROJECT		
CONTRACT NO. 62519				

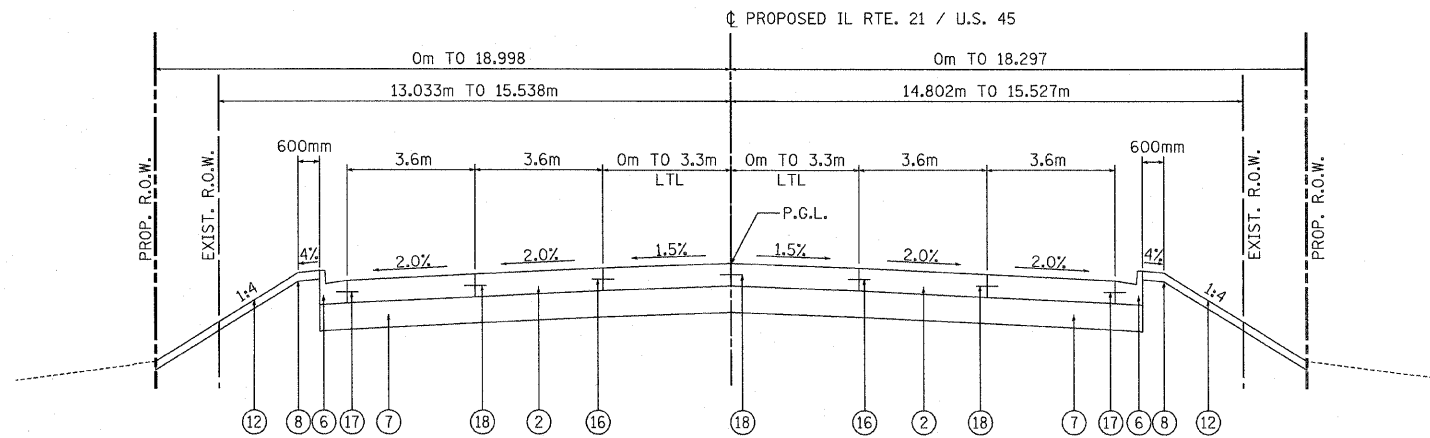
**LEGEND:**

PROPOSED

- ① - P.C.C. PAVEMENT 250mm (JOINTED)
- ② - P.C.C. PAVEMENT 265mm (JOINTED)
- ③ - HMA SURFACE CSE., MIX C, N 50, 50mm
- ④ - HMA BINDER CSE., IL-19.0, N 50, 100mm
- ⑤ - CONCRETE MEDIAN, TYPE SB15.30
- ⑥ - COMBINATION CONCRETE CURB & GUTTER, TYPE B15.60
- ⑦ - AGGREGATE SUBGRADE, 300mm
- ⑧ - FURNISH & PLACE TOPSOIL, 100mm
- ⑨ - STEEL PLATE BEAM GUARDRAIL, TYPE A, (SPECIAL)
- ⑩ - FURNISH & PLACE TOPSOIL, 600mm
- ⑪ - COMPOST FURNISH & PLACE, 100mm
- ⑫ - SODDING, SALT TOLERANT
- ⑬ - EROSION CONTROL BLANKET
- ⑭ - SEEDING, CLASS 2A
- ⑮ - SEEDING, CLASS 4A
- ⑯ - LONGITUDINAL CONSTRUCTION JOINT, NO. 25 EPOXY COATED TIE BARS 600mm LONG AT 600mm CENTERS
- ⑰ - LONGITUDINAL CONSTRUCTION JOINT, NO. 20 EPOXY COATED TIE BARS 600mm LONG AT 600mm CENTERS
- ⑱ - SAWED LONGITUDINAL JOINT WITH NO. 20 x 750mm EPOXY COATED DEFORMED TIE BARS AT 750mm CENTERS
- ⑲ - POROUS GRANULAR EMBANKMENT, SUBGRADE, 150mm
- ⑳ - STEEL PLATE BEAM GUARDRAIL OR TRAFFIC BARRIER TERMINAL, TYPE VARIES
- ㉑ - COMBINATION CONCRETE CURB & GUTTER, TYPE B15.30
- ㉒ - COBBLESTONE PAVERS
- ㉒A - LIMESTONE SCREENING
- ㉒B - SUBBASE GRANULAR MATERIAL TYPE B, 256mm
- ㉓ - BICYCLE RAILING



(P-3) ILLINOIS ROUTE 22  
STA. 105+028.132 TO STA. 105+132.181



(P-4) U.S. RTE. 45/ ILLINOIS ROUTE 21  
STA. 9+845.844 TO STA. 9+879.482  
STA. 10+116.267 TO STA. 10+180.459

REVISIONS		ILLINOIS DEPARTMENT OF TRANSPORTATION FAP ROUTE 337 (IL ROUTE 22)
NAME	DATE	
		PROPOSED TYPICAL SECTIONS

SCALE: NONE      DRAWN BY: TCK  
DATE: 1/28/2009      CHECKED BY: DTH

tkoepfen(Rdwy\_Lisle) 1/26/09 PM PDF(Grey\_Large).plt P:\Lisle\IDOT\9171A0\Drawings\RDWY\MIN\Shots\Typ\_S\_PTyp\_01.dgn

