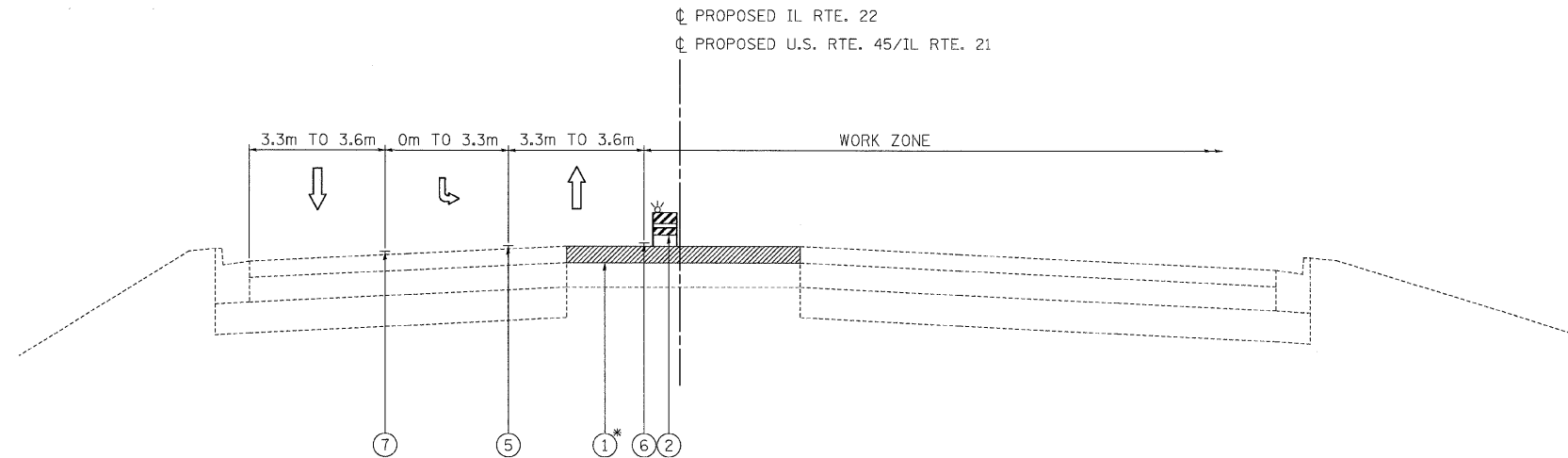
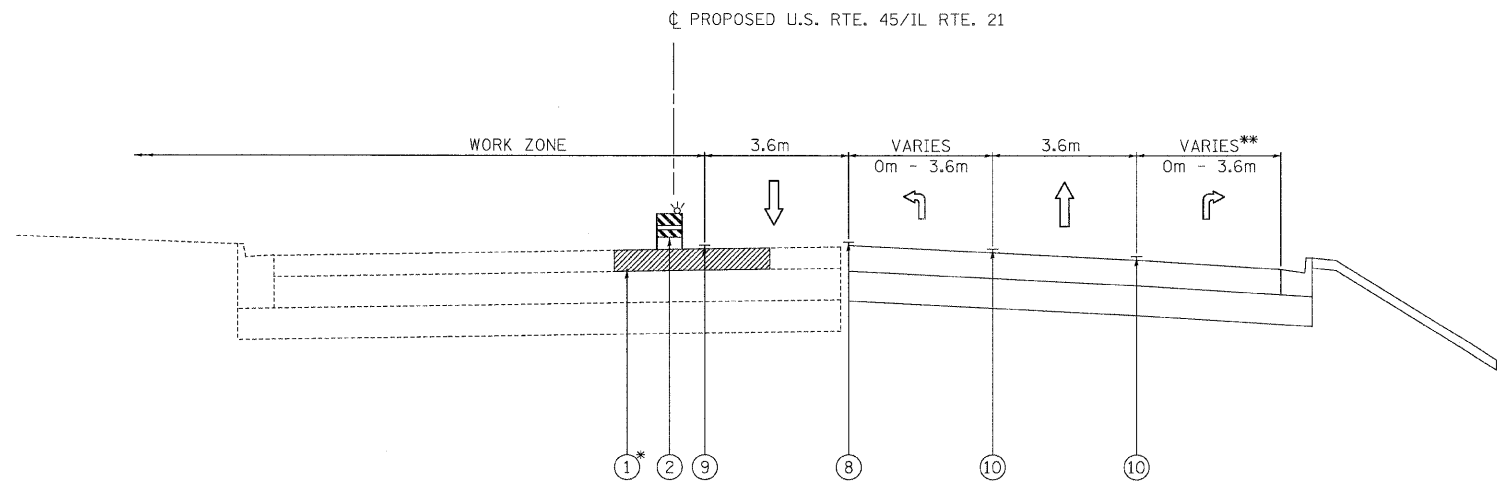


F.A.P. RTE.	SECTION	COUNTY	TOTAL SHEETS	SHEET NO.
337	20R-6	LAKE	149	22
STA.		TO STA.		
FED. ROAD DIST. NO.		ILLINOIS FED. AID PROJECT		
CONTRACT NO. 62519				



STAGE 1
 STATION 104+517.919 TO STATION 105+132 - IL RTE. 22
 STATION 9+845 TO STATION 10+158 - U.S. RTE. 45/IL RTE. 21
 *ACTUAL LIMITS ARE SHOWN ON PLAN VIEW



STAGE 1A & 2
 STATION 9+845.844 TO STATION 10+158.234 - U.S. RTE. 45/IL RTE. 21
 *ACTUAL LIMITS ARE SHOWN ON PLAN VIEW
 **RIGHT TURN LANE CREATED BETWEEN STA. 9+845.844 AND STA. 9+970.000

LEGEND

- ① TEMPORARY PAVEMENT
- ② TYPE II BARRICADES OR DRUMS WITH STEADY BURNING LIGHTS (15m C-C, 7.5m @ TAPERS & 3.5m ALONG RADII)
- ③ MEDIAN REMOVAL
- ④ CONCRETE CURB & GUTTER REMOVAL
- ⑤ THERMOPLASTIC PVMT MKG, 100mm (DOUBLE YELLOW)
- ⑥ THERMOPLASTIC PVMT MKG, 100mm (YELLOW EDGE LINE)
- ⑦ THERMOPLASTIC PVMT MKG, 150mm (WHITE LANE LINE)
- ⑧ PVMT MKG TAPE, TYPE III, 100mm (DOUBLE YELLOW)
- ⑨ PVMT MKG TAPE, TYPE III, 100mm (EDGE LINE)
- ⑩ PVMT MKG TAPE, TYPE III, 150mm (WHITE LANE LINE)

REVISIONS	
NAME	DATE

ILLINOIS DEPARTMENT OF TRANSPORTATION
 FAP ROUTE 337 (IL ROUTE 22)
 SUGGESTED STAGING OF CONSTRUCTION
 AND TRAFFIC CONTROL
 TYPICAL SECTIONS - STAGE 1, 1A, & 2
 SCALE: 1:500
 DATE: 1/28/2009
 DRAWN BY: KEF
 CHECKED BY: CPK

P:\Lisle\DOT\971\AO\Drawings\RDWY\MII\Shts\MOT\MOT_TYP_ALL.dgn
 PDF(Grey_Large).plt
 P:\Lisle\DOT\971\AO\Drawings\RDWY\MII\Shts\MOT\MOT_TYP_ALL.dgn
 2/5/2009 5:07:09 PM
 †koeppen(Rdwy-Lisle)
PATRICK ENGINEERING INC.
 LISLE, ILLINOIS