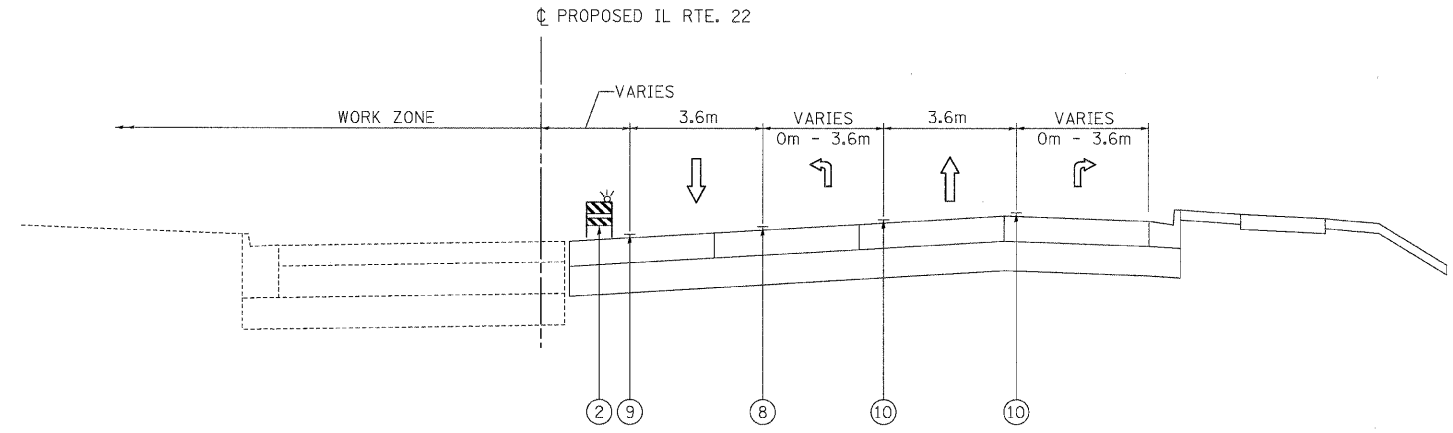
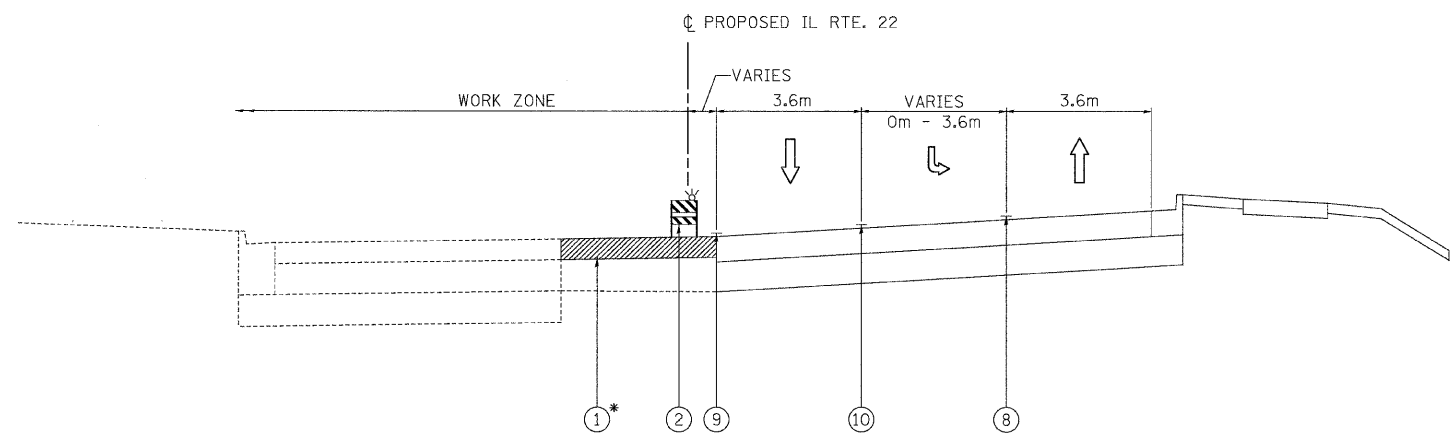


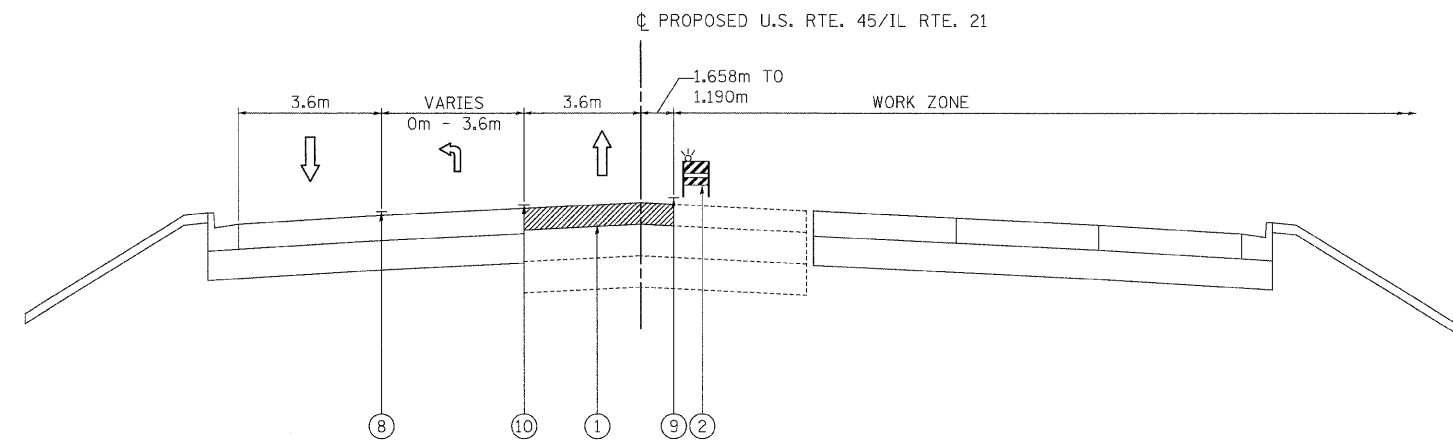
F.A.P. RTE.	SECTION	COUNTY	TOTAL SHEETS	SHEET NO.
337	20R-6	LAKE	149	23
STA.		TO STA.		
FED. ROAD DIST. NO.		ILLINOIS FED. AID PROJECT		
CONTRACT NO. 62519				



STAGE 2
STATION 104+517.919 TO STATION 104+800 - IL RTE. 22



STAGE 2
STATION 104+840 TO STATION 105+132.181 - IL RTE. 22
*ACTUAL LIMITS ARE SHOWN ON PLAN VIEW



STAGE 2A
STATION 9+845.844 TO STATION 10+000.000 - U.S. RTE. 45/IL RTE. 21

LEGEND

- ① TEMPORARY PAVEMENT
- ② TYPE II BARRICADES OR DRUMS WITH STEADY BURNING LIGHTS (15m C-C, 7.5m @ TAPERS & 3.5m ALONG RADII)
- ③ MEDIAN REMOVAL
- ④ CONCRETE CURB & GUTTER REMOVAL
- ⑤ THERMOPLASTIC PVMT MKG, 100mm (DOUBLE YELLOW)
- ⑥ THERMOPLASTIC PVMT MKG, 100mm (YELLOW EDGE LINE)
- ⑦ THERMOPLASTIC PVMT MKG, 150mm (WHITE LANE LINE)
- ⑧ PVMT MKG TAPE, TYPE III, 100mm (DOUBLE YELLOW)
- ⑨ PVMT MKG TAPE, TYPE III, 100mm (EDGE LINE)
- ⑩ PVMT MKG TAPE, TYPE III, 150mm (WHITE LANE LINE)

REVISIONS	
NAME	DATE

ILLINOIS DEPARTMENT OF TRANSPORTATION
FAP ROUTE 337 (IL ROUTE 22)
SUGGESTED STAGING OF CONSTRUCTION
AND TRAFFIC CONTROL
TYPICAL SECTIONS - 2 & 2A
SCALE: 1:500
DATE: 1/28/2009
DRAWN BY: KEF
CHECKED BY: CPK

P:\Lisie\DOT\9171\A0\Drawings\RDWY\MIT\Shts\MOT\MOT_TYP_ALL.dgn
 PDF(Grey_Large).plt
 P:\Lisie\DOT\9171\A0\Drawings\RDWY\MIT\Shts\MOT\MOT_TYP_ALL.dgn
 5:07:10 PM
 2/5/2009
 +koeppen(rdw-Lisie)

