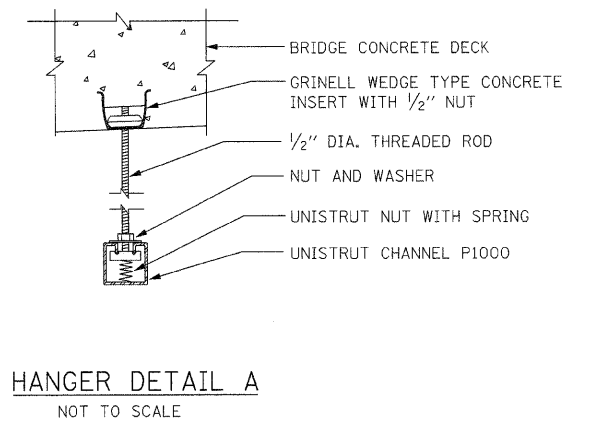
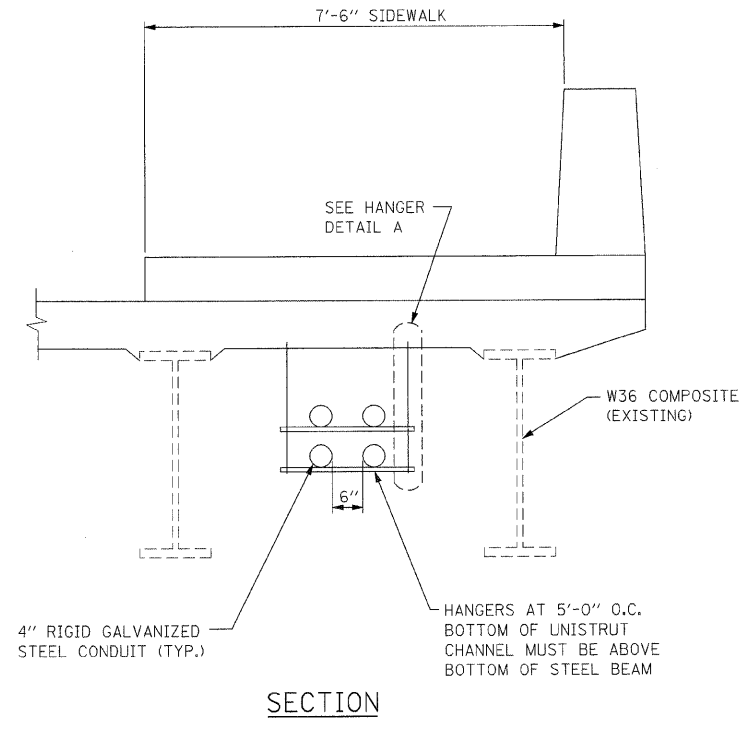
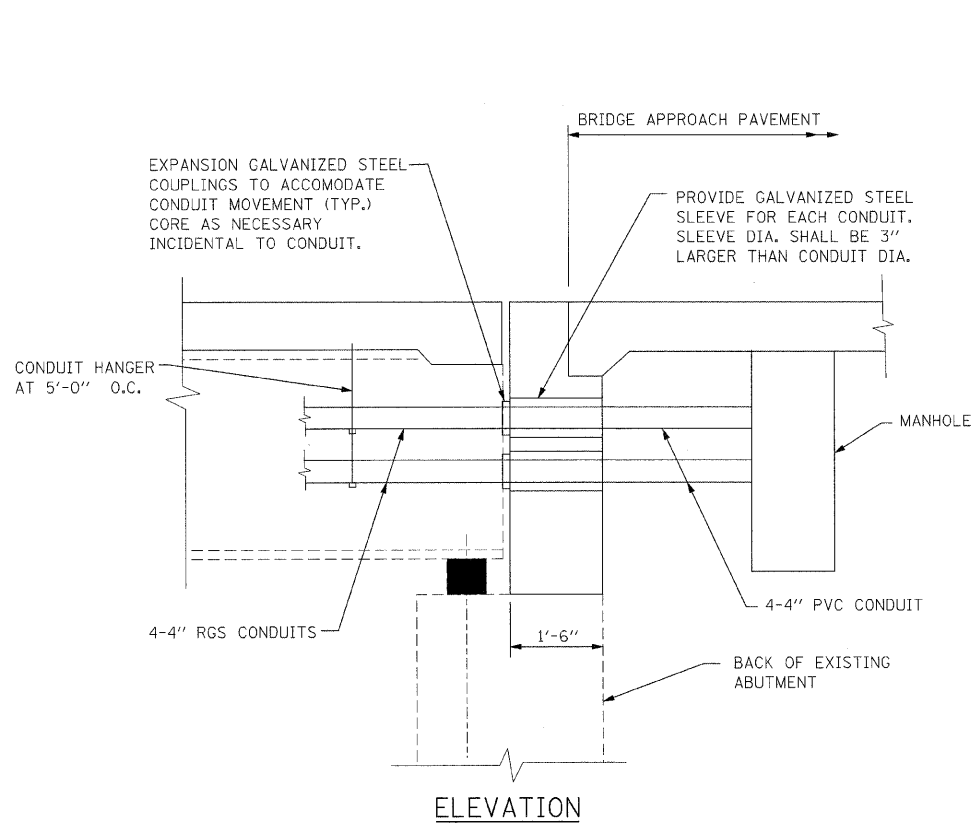
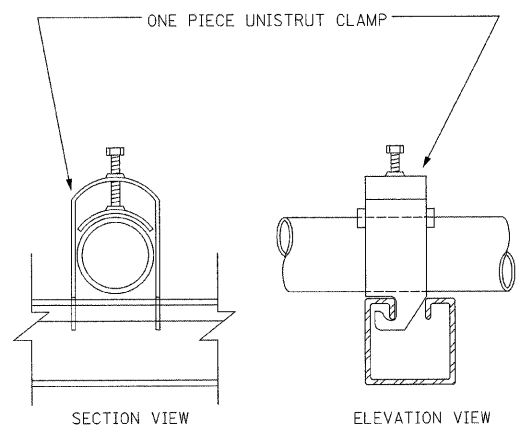


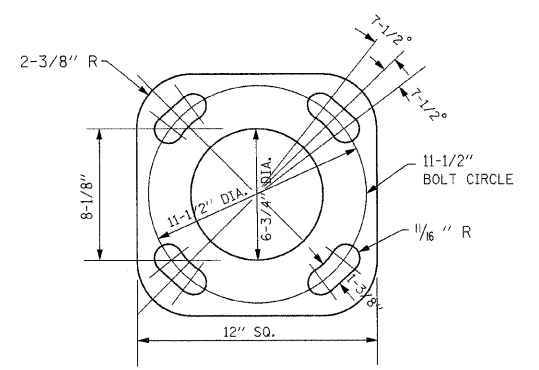
F.A.I. RTE.	SECTION	COUNTY	TOTAL SHEETS	SHEET NO.
57	2021.1B-R	COOK	101	032
STA.		TO STA.		
FED. ROAD DIST. NO. 1		ILLINOIS	FED. AID PROJECT	
CONTRACT NO. 62532				



EXPANSION COUPLING DETAIL
NOT TO SCALE



CONDUIT CLAMP DETAIL
NOT TO SCALE



VIBRATION ISOLATION PAD DETAIL
NOTE 1

NOTE 1:
BRIDGE MOUNTED POLES WILL HAVE 1/2 in. THICK VIBRATION ISOLATION MOUNTING PAD INCLUDED WITH THE POLE. THE PAD SHALL HAVE THE SAME SHAPE AS THE BOTTOM OF THE POLE BASE WITH APPROPRIATE BOLT HOLES AND OPENING FOR THE CENTER OF THE POLE. INCLUDED WITH THE PAD SHALL BE FOUR 10 mm (3/8") THICK WASHERS. THE PAD AND WASHERS SHALL BE MADE FROM THE RUGGED ELASTOMERIC MATERIAL. THE ULTIMATE BREAKDOWN OF THE PAD AND WASHERS UNDER COMPRESSIVE LOAD SHALL BE NOT LESS THAN 69,000 KPA (10,000 psi) FOR THE SPECIFIED THICKNESS WITHOUT EXTRUSION OR DETRIMENTAL REDUCTION IN THICKNESS. THE MATERIAL SHALL ALSO HAVE A SHORE A DUROMETER READING OF NOT LESS THAN 80.

REVISIONS	
NAME	DATE

ILLINOIS DEPARTMENT OF TRANSPORTATION
111TH STREET OVER
F.A.I ROUTE 57 (INTERSTATE 57)

MISCELENEOUS DETAILS

SCALE: NONE
DATE: 01/16/09

DRAWN BY: ACL
CHECKED BY: PR

TENG
TENG & ASSOCIATES, INC.
ENGINEERS/ARCHITECTS/PLANNERS
205 N. MICHIGAN AVE., CHICAGO, IL 60601
TELEPHONE: 312/615-0000

..N1TH ST BORDER.DGN
 1-6-2009, 12:40:49
 T:\DOCUMENTS\10308601\CIVIL\DRN\EXH004P5.DWG
 1 2 3 4 5 6 7 8 9 10 11 12 13 14 15 16 17 18 19 20 21 22 23 24 25 26 27 28 29 30 31 32 33 34 35 36 37 38 39 40 41 42 43 44 45 46 47 48 49 50 51 52 53 54 55 56 57 58 59 60 61 62 63
 HECHTBR