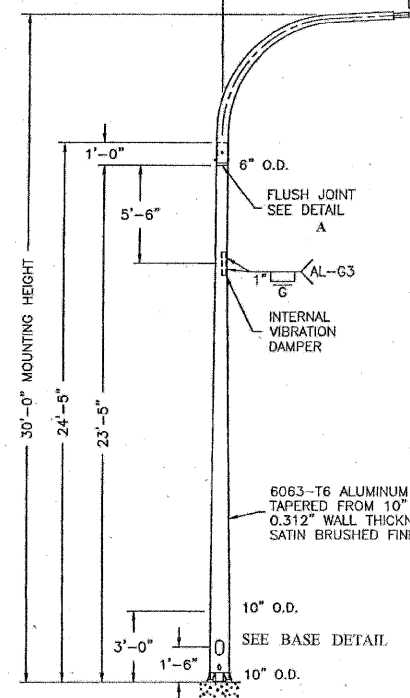
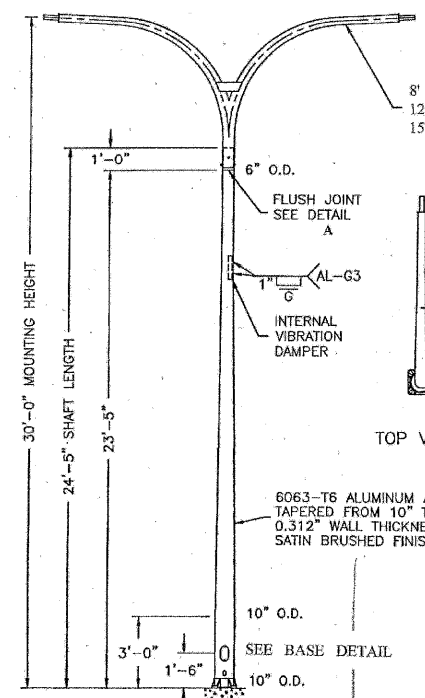
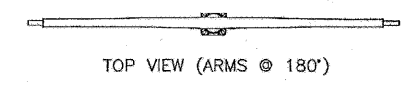


F.A.I. RTE.	SECTION	COUNTY	TOTAL SHEETS	SHEET NO.
57	2021.1B-R	COOK	101	053
STA.		TO STA.		
FED. ROAD DIST. NO. 1		ILLINOIS	FED. AID PROJECT	
CONTRACT NO. 62532				

8' DAVIT ARM SEE DRG. #948  
 12' DAVIT ARM SEE DRG. #949  
 15' DAVIT ARM SEE DRG. #950

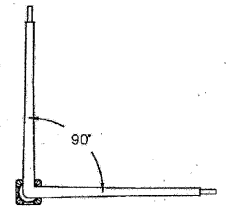


POLE WITH SINGLE DAVIT ARM

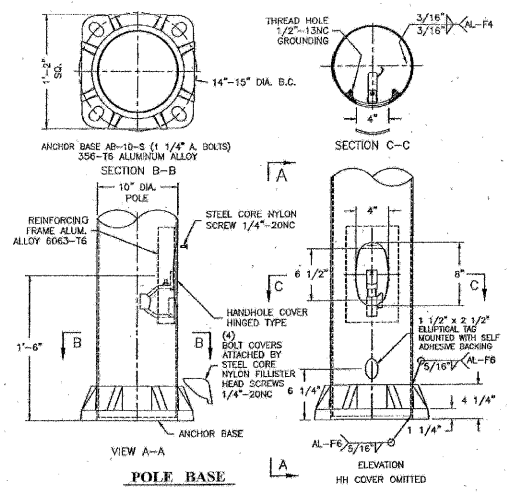


POLE WITH TWIN DAVIT ARMS

8' DAVIT ARM SEE DRG. #948  
 12' DAVIT ARM SEE DRG. #949  
 15' DAVIT ARM SEE DRG. #950

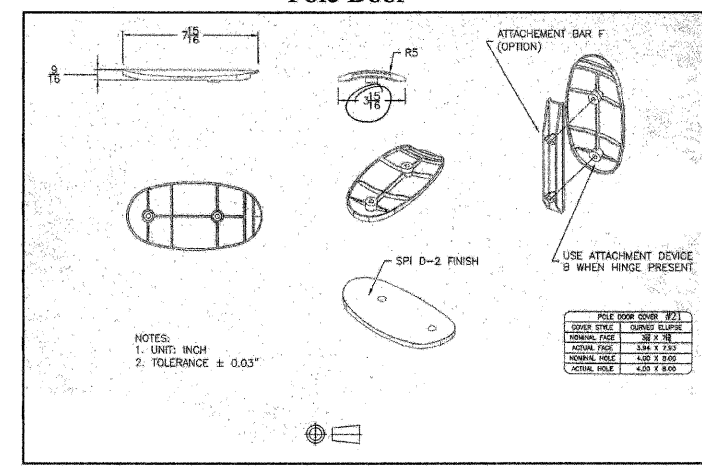


DETAIL A



POLE BASE

Pole Door



NOTES:  
 1. UNIT: INCH  
 2. TOLERANCE ± 0.03"

**ALUMINUM DAVIT POLE**  
 10" x 6" x 24'-5"  
 FOR ARTERIAL STREETS

**CITY OF CHICAGO**  
 DEPT. OF STREETS AND SANITATION  
 BUREAU OF ELECTRICITY  
 DIVISION OF ELECTRICAL ENGINEERING

DRAFTSMAN: [Signature]  
 SUPERVISING ENGINEER: ELEC. OSBORN, EMMER  
 ENGINEER: [Signature]  
 DWG. NO.: 941  
 DATE: 1-27-02

REVISIONS	
NAME	DATE

ILLINOIS DEPARTMENT OF TRANSPORTATION  
 111TH STREET OVER  
 F.A.I ROUTE 57 (INTERSTATE 57)

ELECTRICAL STANDARD DETAILS

SCALE: DATE: 01/16/09 DRAWN BY: N/A CHECKED BY: N/A

**TENG**  
 TENG & ASSOCIATES, INC.  
 ENGINEERS/ARCHITECTS/PLANNERS  
 205 N. MICHIGAN AVE., CHICAGO, IL 60601  
 TELEPHONE: 312/616-0000

111TH ST. BOISELTON  
 FILE 2009, 1K2945  
 T:\DOCUMENT\835850\CHICAGO\KCH\KCH040.DWG  
 1 2 3 4 5 6 7 8 9 10 11 12 13 14 15 16 17 18 19 20 21 22 23 24 25 26 27 28 29 30 31 32 33 34 35 36 37 38 39 40 41 42 43 44 45 46 47 48 49 50 51 52 53 54 55 56 57 58 59 60 61 62 63