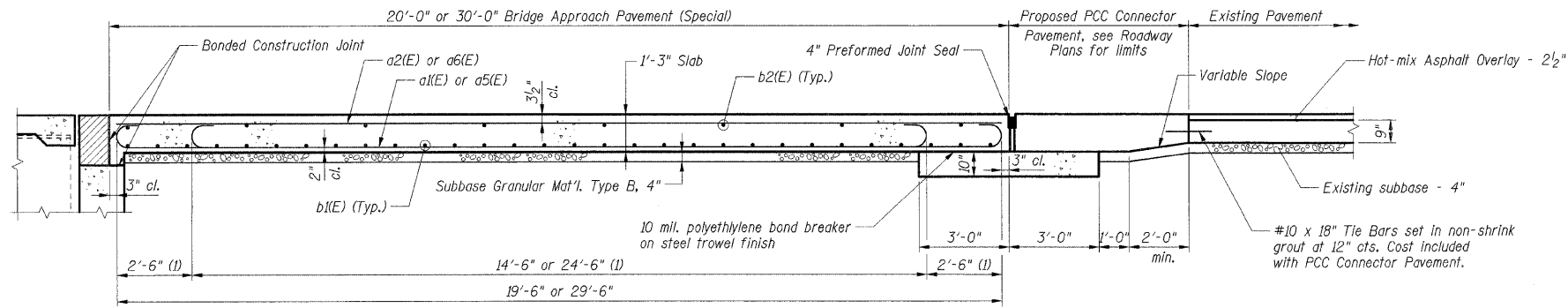


**SECTION B-B**  
(See Plans for Dimensions not shown)  
\* Saw PGL or lane edge.

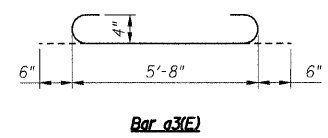


**SECTION A-A**  
(1) Stagger a1(E) and a5(E) bars as shown on plan - full width.

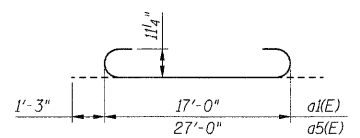
**MATERIAL REQUIRED FOR BRIDGE APPROACH PAVEMENT (SPECIAL)**

Bar	No.	Size	Length	Shape	
a1(E)	134	#9	19'-6"	U	
a2(E)	67	#5	19'-6"	—	
a3(E)	151	#4	6'-8"	U	
a4(E)	151	#4	5'-8"	—	
a5(E)	134	#9	29'-6"	U	
a6(E)	67	#5	29'-6"	—	
b1(E)	150	#5	25'-0"	—	
b2(E)	42	#4	24'-6"	—	
h1(E)	72	#5	26'-6"	—	
h2(E)	72	#5	25'-0"	—	
<b>Item</b>				<b>Unit</b>	<b>Total</b>
Concrete Structures			Cu Yd	159.8	**
Reinforcement Bars, Epoxy Coated			Lbs	35,460	**
Polyethylene Bond Breaker			Sq Yd	98	**
Concrete Pad			Sq Yd	98	**

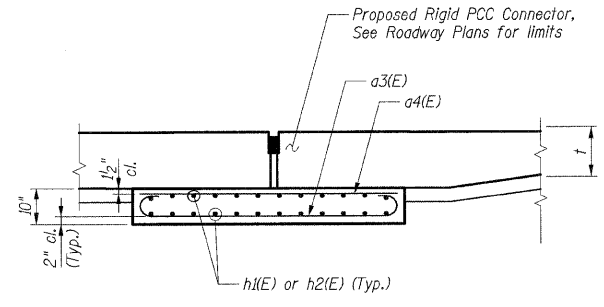
\*\* Item included in the cost for Bridge Approach Pavement (Special).



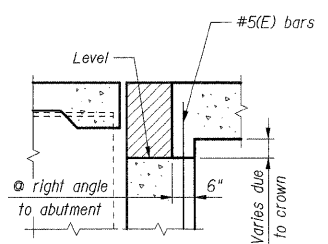
Bar a3(E)



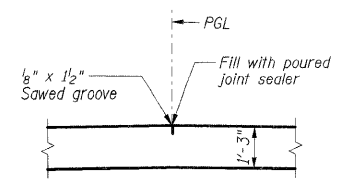
Bars a1(E) & a5(E)



**SECTION C-C**  
(Showing reinforcement)



**SECTION D-D**



**DETAIL "E" \***  
\* Saw PGL or lane edge.

- Notes:**
1. Reinforcement bars designated (E) shall be epoxy coated.
  2. Work this sheet with Sht. 063.
  3. See Standard 420001 for details of joints not shown.

REVISIONS	
NAME	DATE

ILLINOIS DEPARTMENT OF TRANSPORTATION  
112TH PLACE OVER  
F.A.I ROUTE 57 (INTERSTATE 57)  
**BRIDGE APPROACH PAVEMENT,  
SPECIAL AT SN 016-0989  
DETAILS**

SCALE: N.T.S.      DRAWN BY: RDS  
DATE: 01/16/09      CHECKED BY: ACL

**TENG**  
TENG & ASSOCIATES, INC.  
ENGINEERS/ARCHITECTS/PLANNERS  
205 N. MICHIGAN AVE., CHICAGO, IL 60601  
TELEPHONE: 312/616-0000

ATT:BOB.WADON...AF500TJ3.DGN  
 I:\6-2009\11452  
 T:\DOCUMENTS\STRUCT\DN\AF500V60.DGN  
 1 2 3 4 5 6 7 8 9 10 11 12 13 14 15 16 17 18 19 20 21 22 23 24 25 26 27 28 29 30 31 32 33 34 35 36 37 38 39 40 41 42 43 44 45 46 47 48 49 50 51 52 53 54 55 56 57 58 59 60 61 62 63