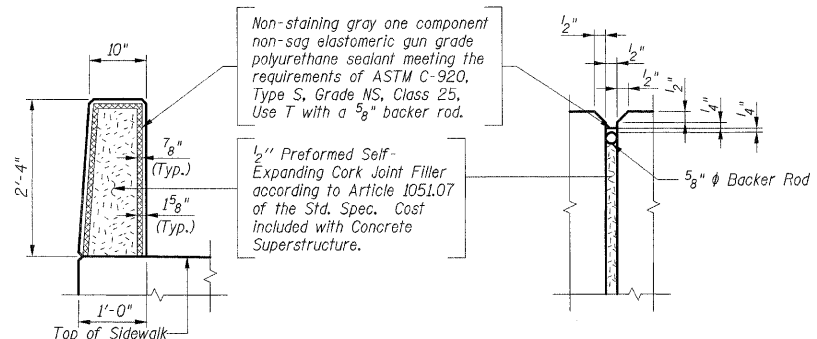


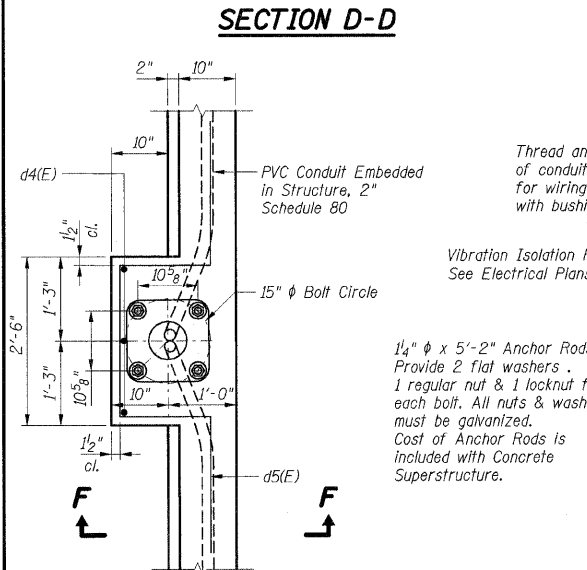
GIRDER	A	B	C
1	-	-	s2(E)
2	-	-	s2(E)
3	-	s4(E)	s2(E)
4	s1(E)	s4(E)	s2(E)
5	s2(E)	s4(E)	s2(E)
6	s2(E)	s4(E)	s2(E)
7	s2(E)	s4(E)	s2(E)
8	s2(E)	s4(E)	s2(E)
9	s3(E)	s4(E)	s2(E)
10	s3(E)	s4(E)	s2(E)
11	s3(E)	s4(E)	s1(E)
12	s2(E)	s4(E)	-
13	s2(E)	-	-
14	s2(E)	-	-



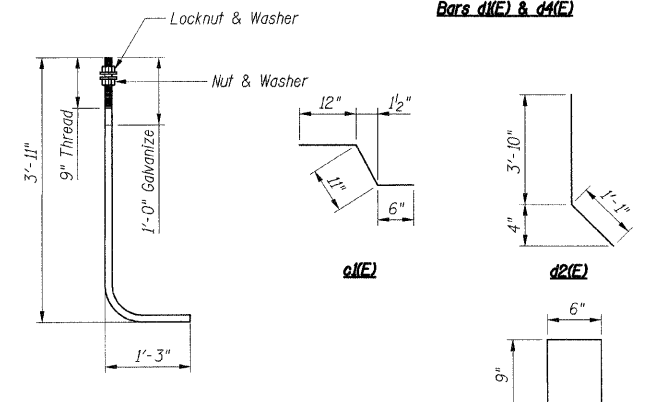
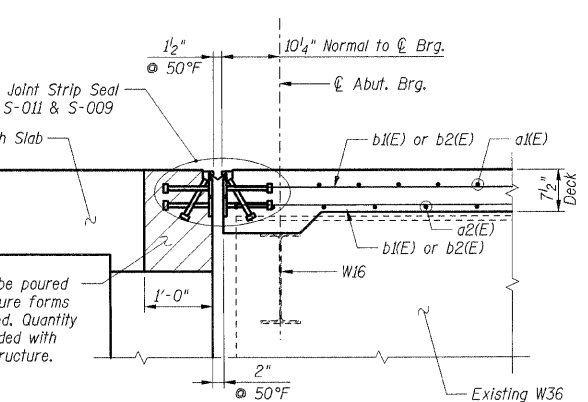
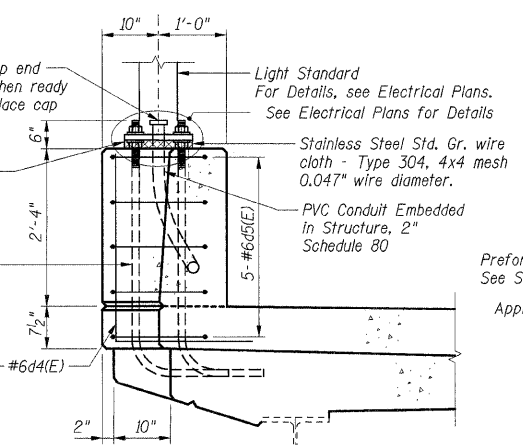
Bar	A	B	C
d5(E)	2'-3"	1'-4"	2'-0"
s1(E)	0'-10"	0'-7"	1'-3"
s2(E)	0'-10"	0'-8 1/2"	1'-3"
s3(E)	0'-10"	0'-9 1/2"	1'-3"
s4(E)	0'-8"	0'-7"	1'-3"

Bars d5(E), s1(E), s2(E), s3(E) & s4(E)

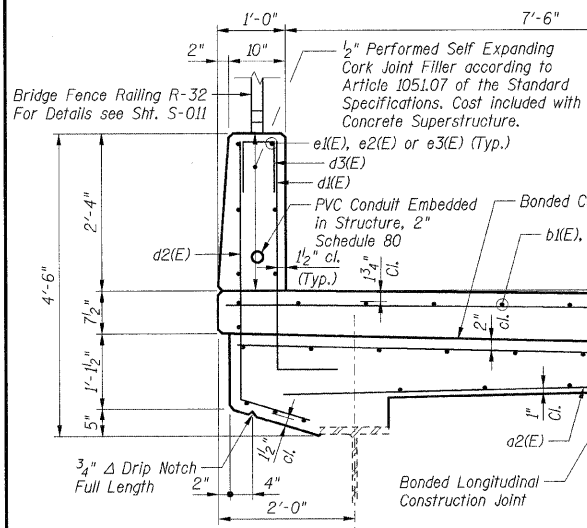
BAR LIST				
Bar	No.	Size	Length	Shape
a1(E)	604	#5	42'-0"	
a2(E)	633	#5	28'-4"	
a3(E)	48	#5	2'-0"	
b1(E)	968	#5	30'-0"	
b2(E)	388	#5	9'-0"	
b3(E)	192	#5	16'-7"	
c1(E)	350	#5	2'-5"	
c2(E)	362	#5	8'-1"	
d1(E)	350	#6	4'-4"	
d2(E)	350	#4	4'-11"	
d3(E)	96	#4	2'-0"	
d4(E)	12	#6	4'-8"	
d5(E)	20	#6	8'-11"	
e1(E)	96	#4	14'-8"	
e2(E)	24	#4	19'-3"	
e3(E)	12	#4	14'-4"	
s1(E)	126	#5	4'-6"	
s2(E)	1071	#5	4'-9"	
s3(E)	189	#5	4'-11"	
s4(E)	430	#5	4'-4"	



**ADDITIONAL FILLET REINFORCEMENT**



**LIGHT POLE FOUNDATION PLAN**

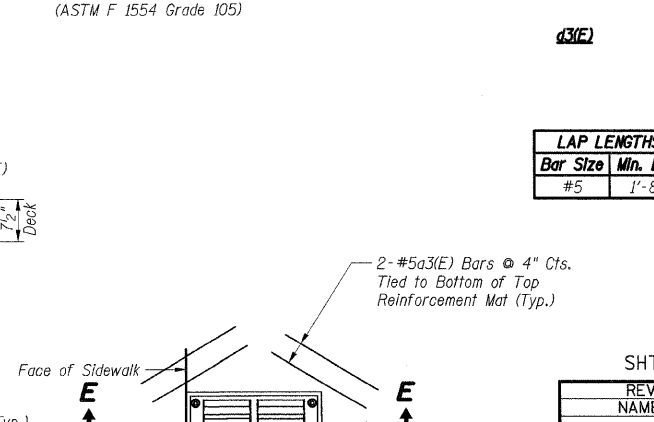
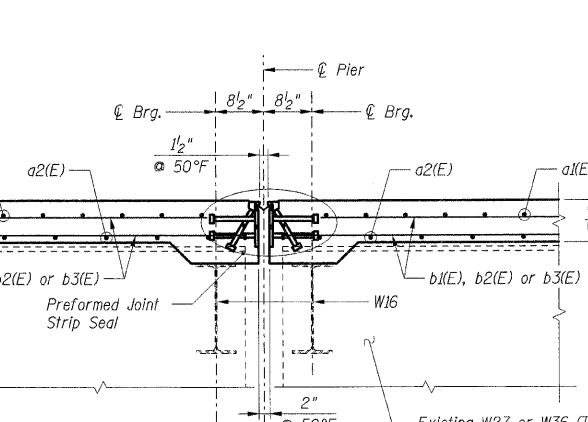
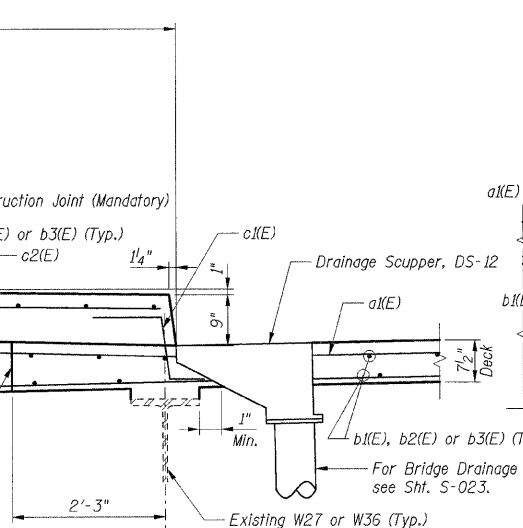


**SECTION F-F**

**SECTION B-B**

**1/4" ANCHOR ROD**

**SECTION E-E**



**SECTION E-E**

**SECTION F-F**

**SECTION B-B**

**1/4" ANCHOR ROD**

**SECTION E-E**

**SECTION F-F**

**SECTION B-B**

**1/4" ANCHOR ROD**

**SECTION E-E**

**SECTION F-F**

**SECTION B-B**

**1/4" ANCHOR ROD**

**SECTION E-E**

**SECTION F-F**

**SECTION B-B**

**1/4" ANCHOR ROD**

**SECTION E-E**

**SECTION F-F**

**SECTION B-B**

**1/4" ANCHOR ROD**

**SECTION E-E**

**SECTION F-F**

**SECTION B-B**

**1/4" ANCHOR ROD**

**SECTION E-E**

**SECTION F-F**

**SECTION B-B**

**1/4" ANCHOR ROD**

**SECTION E-E**

**SECTION F-F**

**SECTION B-B**

**1/4" ANCHOR ROD**

**SECTION E-E**

**SECTION F-F**

**SECTION B-B**

**1/4" ANCHOR ROD**

**SECTION E-E**

**SECTION F-F**

**SECTION B-B**

**1/4" ANCHOR ROD**

**SECTION E-E**

**SECTION F-F**

**SECTION B-B**

**1/4" ANCHOR ROD**

**SECTION E-E**

**SECTION F-F**

**SECTION B-B**

**1/4" ANCHOR ROD**

**SECTION E-E**

**SECTION F-F**

**SECTION B-B**

**1/4" ANCHOR ROD**

**SECTION E-E**

**SECTION F-F**

**SECTION B-B**

**1/4" ANCHOR ROD**

**SECTION E-E**

**SECTION F-F**

**SECTION B-B**

**1/4" ANCHOR ROD**

**SECTION E-E**

**SECTION F-F**

**SECTION B-B**

**1/4" ANCHOR ROD**

**SECTION E-E**

**SECTION F-F**

**SECTION B-B**

**1/4" ANCHOR ROD**

**SECTION E-E**

**SECTION F-F**

**SECTION B-B**

**1/4" ANCHOR ROD**

**SECTION E-E**

**SECTION F-F**

**SECTION B-B**

**1/4" ANCHOR ROD**

**SECTION E-E**

**SECTION F-F**

**SECTION B-B**

**1/4" ANCHOR ROD**

**SECTION E-E**

**SECTION F-F**

**SECTION B-B**

**1/4" ANCHOR ROD**

**SECTION E-E**

**SECTION F-F**

**SECTION B-B**

**1/4" ANCHOR ROD**

**SECTION E-E**

**SECTION F-F**

**SECTION B-B**

**1/4" ANCHOR ROD**

**SECTION E-E**

**SECTION F-F**

**SECTION B-B**

**1/4" ANCHOR ROD**

**SECTION E-E**

**SECTION F-F**

**SECTION B-B**

**1/4" ANCHOR ROD**

**SECTION E-E**

**SECTION F-F**

**SECTION B-B**

**1/4" ANCHOR ROD**

**SECTION E-E**

**SECTION F-F**

**SECTION B-B**

**1/4" ANCHOR ROD**

**SECTION E-E**

**SECTION F-F**

**SECTION B-B**

**1/4" ANCHOR ROD**

**SECTION E-E**

**SECTION F-F**

**SECTION B-B**

**1/4" ANCHOR ROD**

**SECTION E-E**

**SECTION F-F**

**SECTION B-B**

**1/4" ANCHOR ROD**

**SECTION E-E**

**SECTION F-F**

**SECTION B-B**

**1/4" ANCHOR ROD**

**SECTION E-E**

**SECTION F-F**

**SECTION B-B**

**1/4" ANCHOR ROD**

**SECTION E-E**

**SECTION F-F**

**SECTION B-B**

**1/4" ANCHOR ROD**

**SECTION E-E**

**SECTION F-F**

**SECTION B-B**

**1/4" ANCHOR ROD**

**SECTION E-E**

**SECTION F-F**

**SECTION B-B**

**1/4" ANCHOR ROD**

**SECTION E-E**

**SECTION F-F**

**SECTION B-B**

**1/4" ANCHOR ROD**

**SECTION E-E**

**SECTION F-F**

**SECTION B-B**

**1/4" ANCHOR ROD**

**SECTION E-E**

**SECTION F-F**

**SECTION B-B**

**1/4" ANCHOR ROD**

**SECTION E-E**

**SECTION F-F**

**SECTION B-B**

**1/4" ANCHOR ROD**

**SECTION E-E**

**SECTION F-F**

**SECTION B-B**

**1/4" ANCHOR ROD**

**SECTION E-E**

**SECTION F-F**

**SECTION B-B**

**1/4" ANCHOR ROD**

**SECTION E-E**

**SECTION F-F**

**SECTION B-B**

**1/4" ANCHOR ROD**

**SECTION E-E**

**SECTION F-F**

**SECTION B-B**

**1/4" ANCHOR ROD**

**SECTION E-E**

**SECTION F-F**

**SECTION B-B**

**1/4" ANCHOR ROD**

**SECTION E-E**

**SECTION F-F**