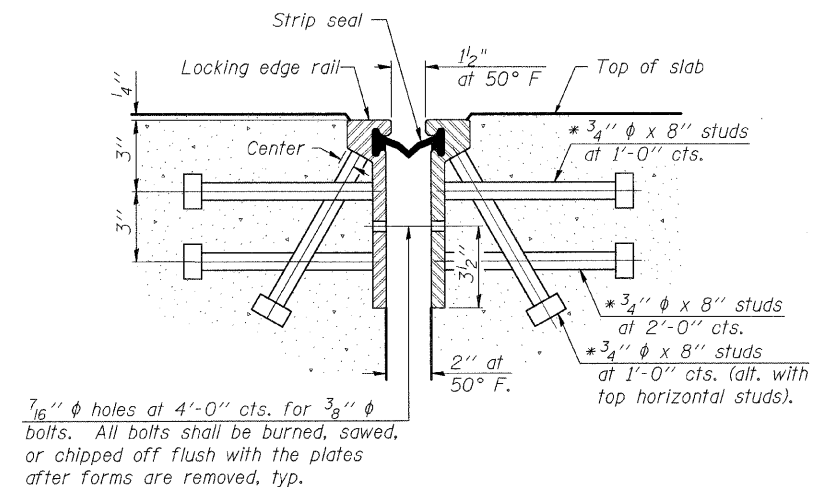
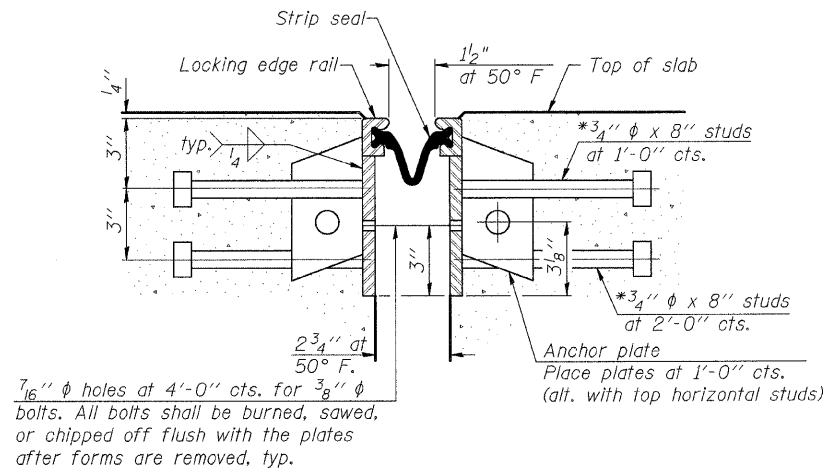


F.A.I. SECTION	COUNTY	TOTAL SHEETS	SHEET NO.
57 2021.1B-R	COOK	101	073
STA. TO STA.		FED. AID PROJECT	
CONTRACT NO. 62532			

* Granular or solid flux filled headed studs conforming to Article 1006.32 of the Std. Specs., automatically end welded.

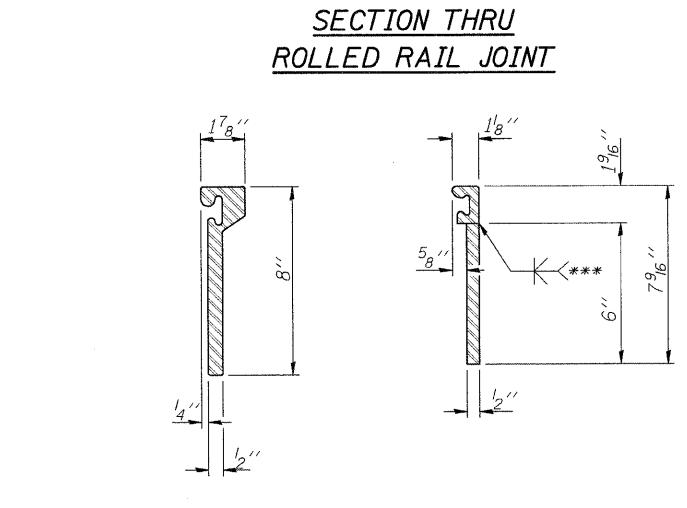


SECTION THRU ROLLED RAIL JOINT

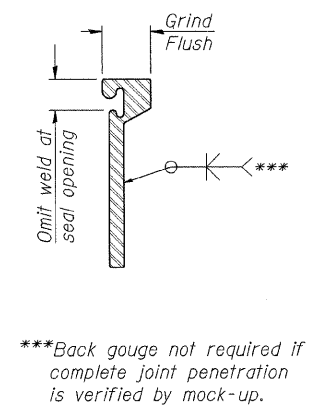


SECTION THRU WELDED RAIL JOINT

Notes:
 The strip seal shall be made continuous and shall have a minimum thickness of 1/4". The configuration of the strip seal shall match the configuration of the Locking Edge Rails. Open or "webbed" strip seal gland configurations are not permitted. The gland shall be sized for a maximum rated movement of 4 inches.
 The height and thickness of the Locking Edge Rails are minimum dimensions. The actual configuration of the Locking Edge Rails and matching strip seal may vary from manufacturer to manufacturer. Flanged edge rails will not be allowed. Locking Edge Rails may be spliced at slope discontinuities and stage construction joints.
 The manufacturer's recommended installation methods shall be followed.
 The joint opening and deck dimensions detailed on the superstructure are based on a rolled rail expansion joint. If the Contractor elects to use the welded rail expansion joint, the opening and deck dimensions shall be modified according to the dimensions detailed on this sheet. Required modifications shall be made at no additional cost to the State.
 All steel components shall be galvanized after fabrication according to Article 520.03 of the Standard Specifications.

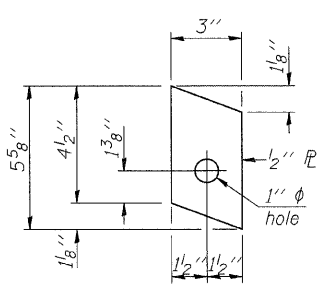


ROLLED EXTRUDED RAIL WELDED RAIL

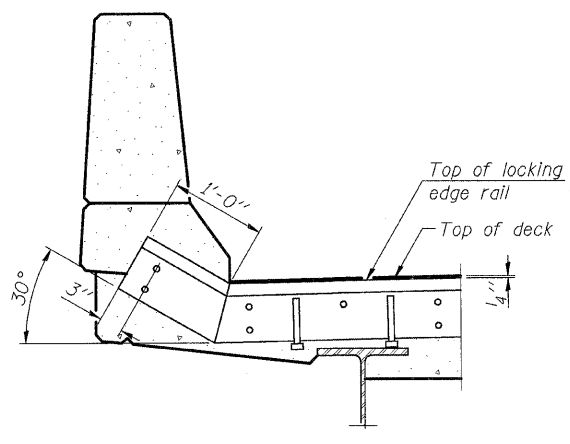


LOCKING EDGE RAIL SPLICE

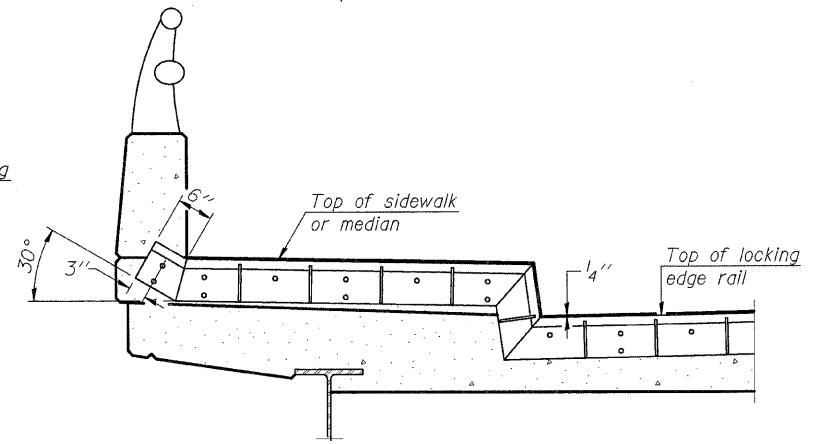
The inside of the locking edge rail groove shall be free of weld residue.



ANCHOR PLATE (for welded rail)



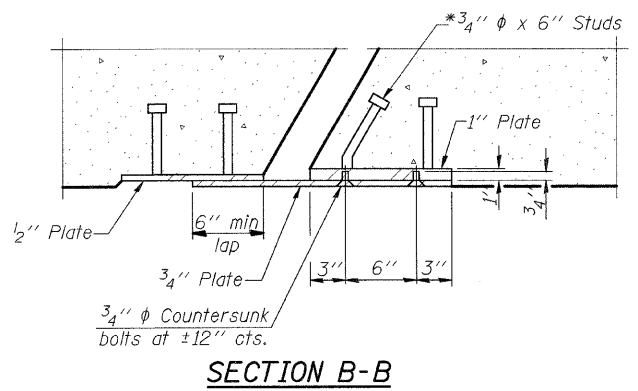
AT PARAPET



AT SIDEWALK OR MEDIAN

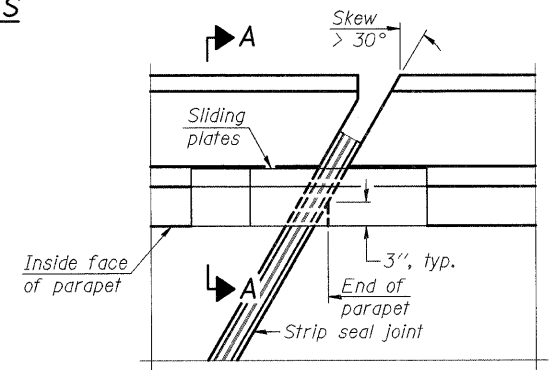
Shorter plates with a single row of studs at 12" cts. may be necessary on medians which are shallower than 9". See manufacturer's recommendation.

TYPICAL END TREATMENTS

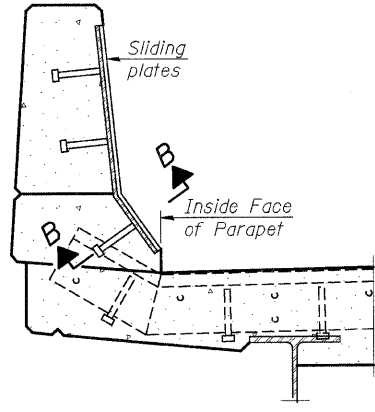


SECTION B-B

LOCKING EDGE RAILS



PLAN



SECTION A-A

POINT BLOCK DETAILS (for skews > 30°)

BILL OF MATERIAL

Item	Unit	Total
Preformed Joint Strip Seal	Foot	340

REVISIONS	
NAME	DATE

SHT. S-009
 ILLINOIS DEPARTMENT OF TRANSPORTATION
 F.A.I. ROUTE 57 (INTERSTATE 57)
 111TH STREET BRIDGE DECK REPLACEMENT
 111th STREET OVER I-57
 SN 016-0989 STA. 556+99.89
 COOK COUNTY
 PREFORMED JOINT STRIP SEAL
 DATE: 01/16/09
 DRAWN BY: TMH
 CHECKED BY: JLR



TENG & ASSOCIATES, INC.
 ENGINEERS/ARCHITECTS/PLANNERS
 205 N. MICHIGAN AVE., CHICAGO, IL 60601
 TELEPHONE 312.616.0000

\ABR09R01EJCH_1\ABR09R01EJCH\STRUCT\DRAWING\JOB\FSDGN
 FILE: 2009_0122\21
 pen: table: N/A
 color: table: K3: STANDARD TENG\DATA\COLORTABLE.TBL
 RITCHIE