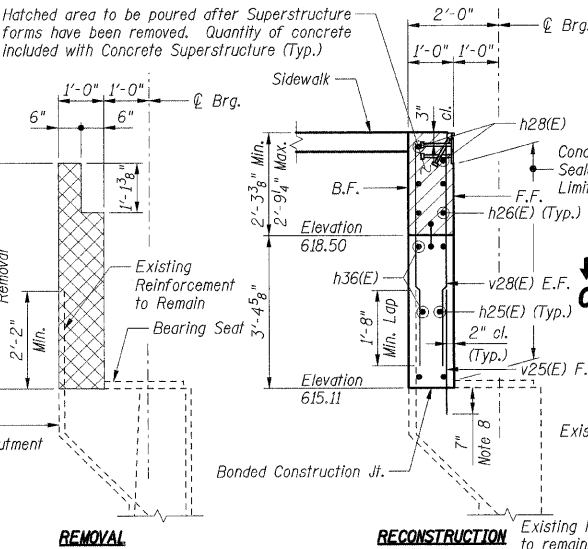
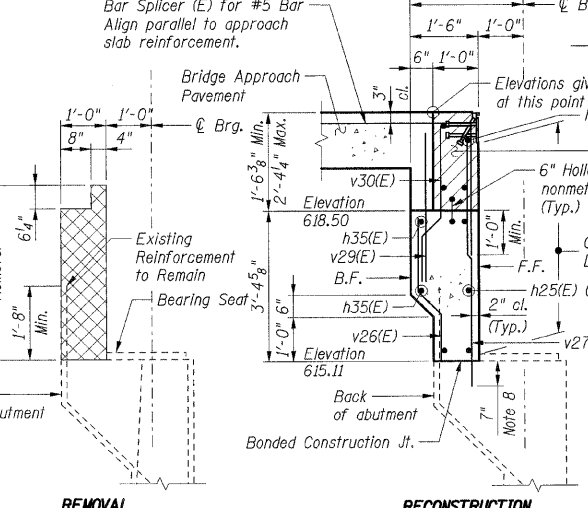


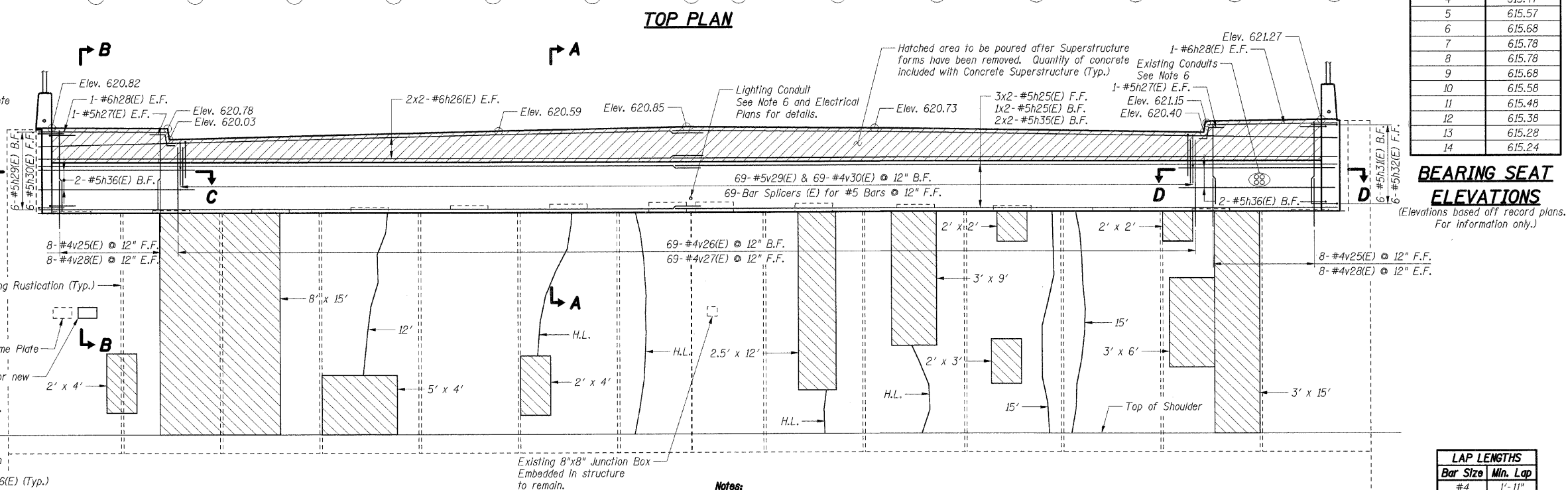
DETAIL 1



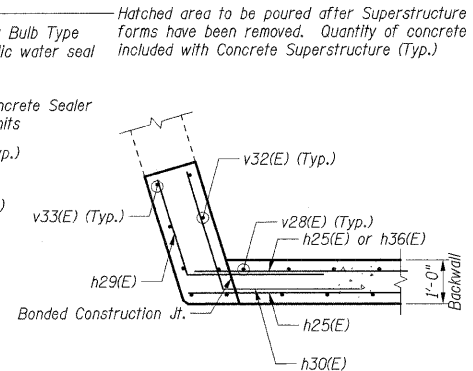
SECTION B-B



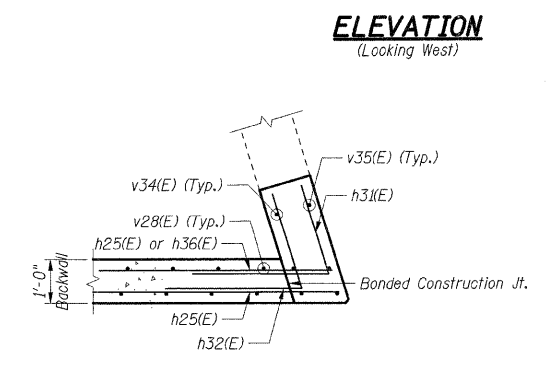
SECTION A-A



ELEVATION
(Looking West)



SECTION C-C



SECTION D-D

GIRDER	ELEVATION
1	615.22
2	615.26
3	615.36
4	615.47
5	615.57
6	615.68
7	615.78
8	615.78
9	615.68
10	615.58
11	615.48
12	615.38
13	615.28
14	615.24

BEARING SEAT ELEVATIONS

(Elevations based off record plans. For information only.)

Bar Size	Min. Lap
#4	1'-11"
#5	2'-5"
#6	2'-10"

LEGEND
 Concrete Removal
 Structural Repair of Concrete, Depth Less Than or Equal to 5"
 Epoxy Crack Injection
 Hairline Crack - Not to be Sealed

- Notes:**
- Work this sheet with Sht. S-017.
 - Reinforcement bars designated (E) shall be epoxy coated.
 - Bars indicated thus 30 x 2-#5 etc. indicates 30 lines of bars with 2 lengths per line.
 - All edges shall have standard 3/4" chamfers except as noted.
 - E.F. indicates Each Face
F.F. indicates Front Face
B.F. indicates Back Face
 - Cost of all sleeves, grout and associated work required for extending conduit through backwall shall be included with Concrete Structures.
 - Existing reinforcement bars to remain shall be cleaned and incorporated into new construction with a minimum projection length as shown. Bars with insufficient projection or with 10% or more section loss shall be removed flush to the concrete removal line and replaced in kind by drilling and grouting new bars of equivalent size, the cost of which is included with Concrete Removal.
 - Reinforcement bars shall be epoxy grouted in according to Section 584 of the Standard Specifications. The grout and method of application shall be approved by the Department. Cost included with Reinforcement Bars, Epoxy Coated.
 - For bar splicer details, see Sht. S-024.
 - Crack widths are 1/16" ± unless noted otherwise.
 - Girders shall be supported during concrete repairs. Cost shall be included with Jack and Remove Existing Bearings.

SHT. S-016

REVISIONS	
NAME	DATE

ILLINOIS DEPARTMENT OF TRANSPORTATION
 F.A.I. ROUTE 57 (INTERSTATE 57)
 111TH STREET BRIDGE DECK REPLACEMENT
 111TH STREET OVER I-57
 SN 016-0989 STA. 556+99.89
 COOK COUNTY

WEST ABUTMENT
 DATE: 01/16/09
 DRAWN BY: TMH
 CHECKED BY: JLR
TENG
 TENG & ASSOCIATES, INC.
 ENGINEERS/ARCHITECTS/PLANNERS
 205 N. MICHIGAN AVE., CHICAGO, IL 60601
 TELEPHONE: 312.616.0000