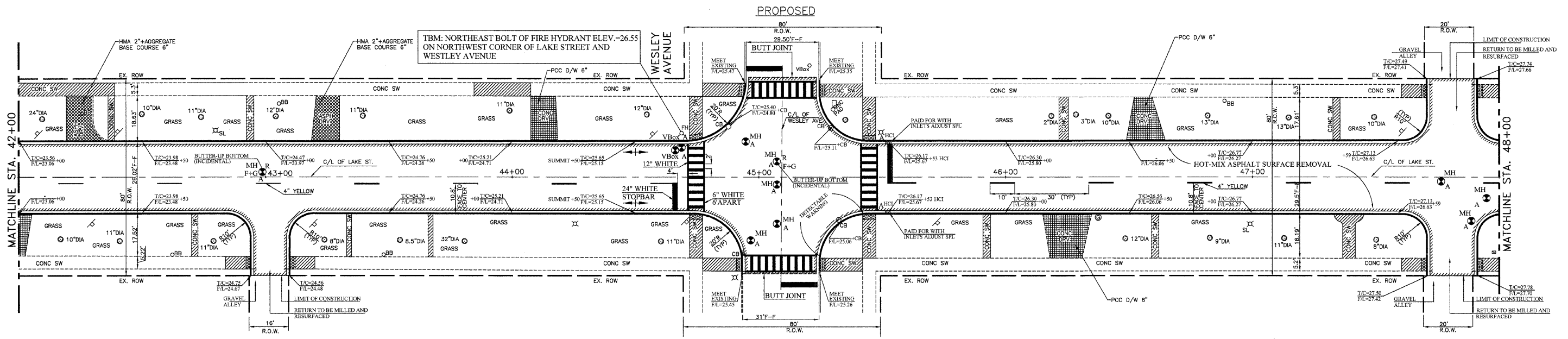
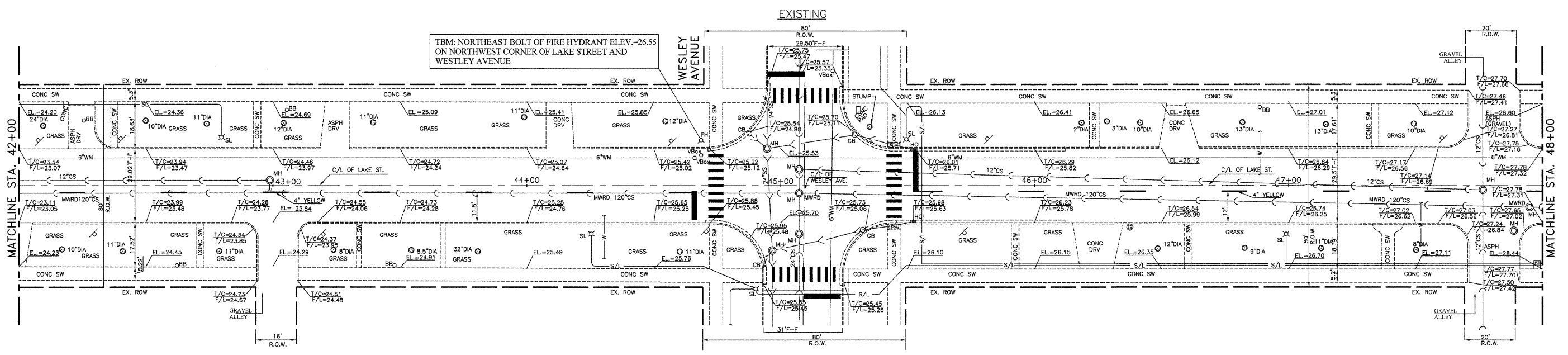



LAKE STREET  
(ASPHALT OVER MACADAM)



PLANS PREPARED BY:  CITY OF EVANSTON  
PUBLIC WORKS DEPARTMENT  
DIVISION OF TRANSPORTATION  
ENGINEERING SECTION  
PHONE: (847) 866-2924

DRAWN BY: JB,DT,LG	DESIGNED BY: PC,MC,AA	REVISED:
DATE: 04/25/08	DATE: 05/15/08	REVISED:
CHECKED BY: PC, SN	BOOK: NONE	REVISED:
DATE: 6/10/08	SCALE: VARIES	REVISED:

STATE OF ILLINOIS  
DEPARTMENT OF TRANSPORTATION

LAKE STREET  
EXISTING PLAN/PROPOSED PLAN

F.A.U. R.T.E.	SECTION	COUNTY	TOTAL SHEETS	SHEET NO.
1031	08-00249-00-RS	COOK	17	12
CONTRACT NO. 63072				
ILLINOIS				