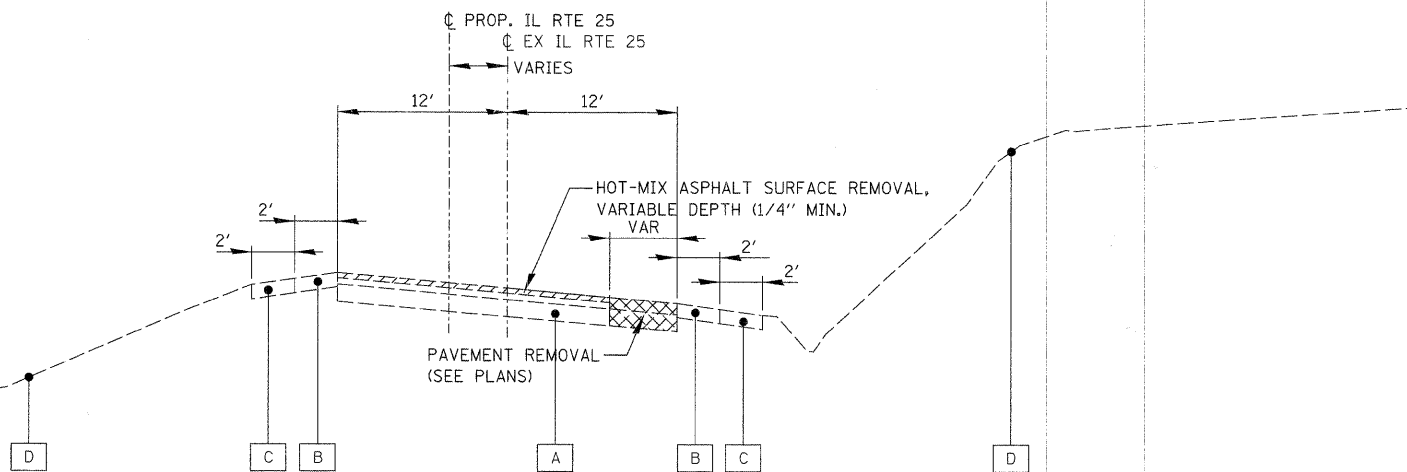


IL ROUTE 25
STA. 22 + 29.73 TO STA. 26 + 46.05
STA. 29 + 97.40 TO STA. 36 + 26.56

LEGEND

- A EXISTING PAVEMENT *
- B EXISTING HMA SHOULDER
- C EXISTING AGGREGATE SHOULDER
- D EXISTING GROUND

* HMA S.C. OVER PCC BASE OR FULL-DEPTH HMA PAVEMENT. SEE GEOTECHNICAL REPORT FOR PAVEMENT CORING DATA.



IL ROUTE 25
STA. 26 + 46.05 TO STA. 29 + 97.40

FILE NAME = TYP_070793_01.SHT

USER NAME = GTINE

DESIGNED MCW

REVISED -

DRAWN GT

REVISED -

PLOT SCALE = 20'

CHECKED MCW

REVISED -

PLOT DATE = 2/10/2009

DATE 01/16/09

REVISED -

STATE OF ILLINOIS
DEPARTMENT OF TRANSPORTATION

EXISTING TYPICAL SECTIONS
IL ROUTE 25

SCALE: NTS SHEET NO. OF SHEETS STA. TO STA.

F.A.P. RTE.	SECTION	COUNTY	TOTAL SHEETS	SHEET NO.
361	06-00214-20-BR	KANE	320	15
CONTRACT NO. 63075				
FED. ROAD DIST. NO. 1 ILLINOIS FED. AID PROJECT				