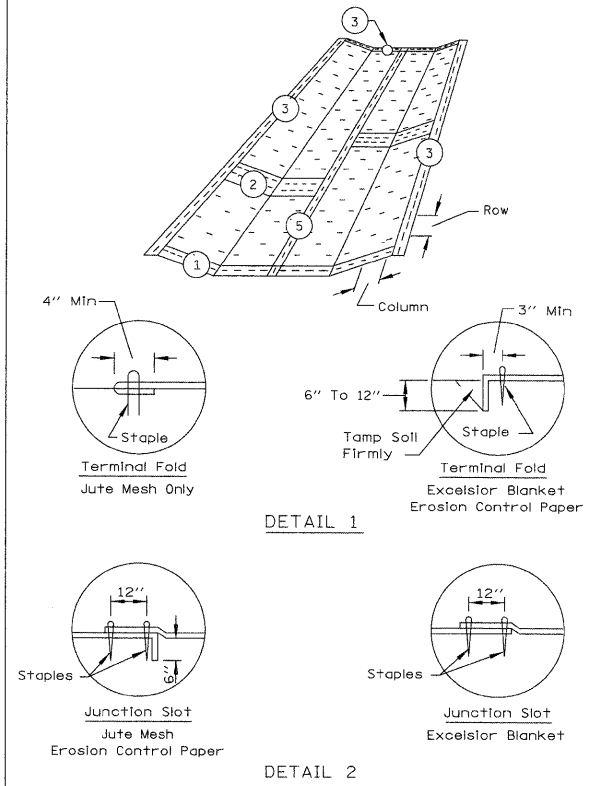
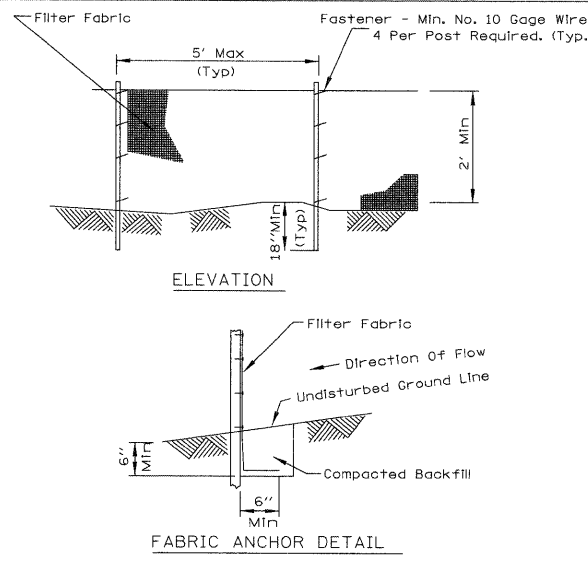


EROSION CONTROL BLANKET PLAN



REFERENCE Project NEW STEARNS ROAD Designed MSK Date _____ Checked JWW Date _____ Approved _____ Date _____	NRCS Natural Resources Conservation Service	STANDARD DWG. NO. IL-530 SHEET 1 OF 2 DATE 5-24-94
--	---	--

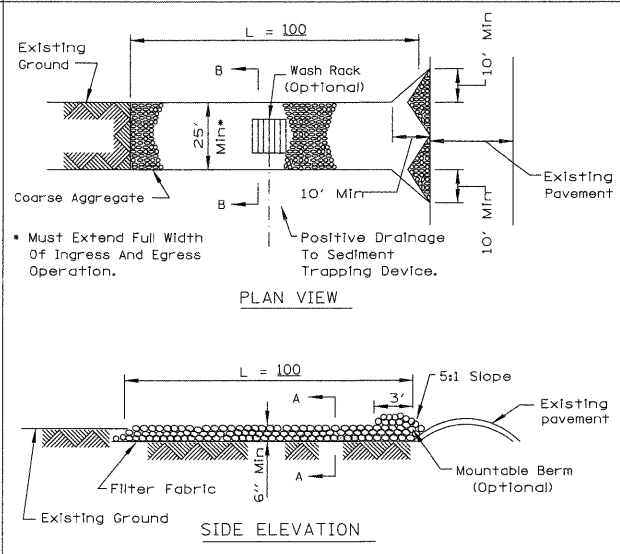
SEDIMENT CONTROL, SILT FENCE



- NOTES:
1. Temporary sediment fence shall be installed prior to any grading work in the area to be protected. They shall be maintained throughout the construction period and removed in conjunction with the final grading and site stabilization.
 2. Filter fabric shall meet the requirements of material specification Article 1080.02.
 3. Fence posts shall be either standard steel post or wood post with a minimum cross-sectional area of 3.0 sq. in.

REFERENCE Project NEW STEARNS ROAD Designed MSK Date _____ Checked JWW Date _____ Approved _____ Date _____	NRCS Natural Resources Conservation Service	STANDARD DWG. NO. IL-620 SHEET 1 OF 2 DATE 11-20-01
--	---	---

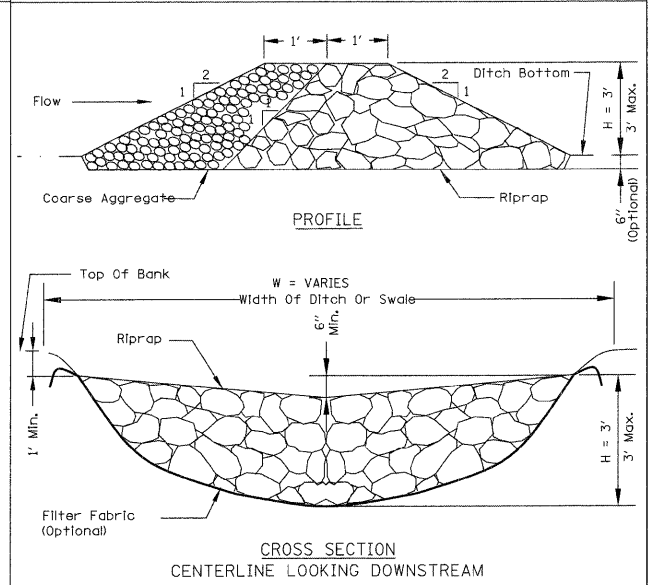
STABILIZED CONSTRUCTION ENTRANCE PLAN



- NOTES:
1. Filter fabric shall meet the requirements of material specification Article 1080.03
 2. Rock or reclaimed concrete shall meet one of the following IDOT coarse aggregate gradation, CA-1, CA-2, CA-3 or CA-4 and be placed according to Article 281.4
 3. Any drainage facilities required because of washing shall be constructed according to manufacturers specifications.
 4. If wash racks are used they shall be installed according to the manufacturer's specifications.

REFERENCE Project NEW STEARNS ROAD Designed MSK Date _____ Checked JWW Date _____ Approved _____ Date _____	NRCS Natural Resources Conservation Service	STANDARD DWG. NO. IL-630 SHEET 1 OF 2 DATE 8-18-94
--	---	--

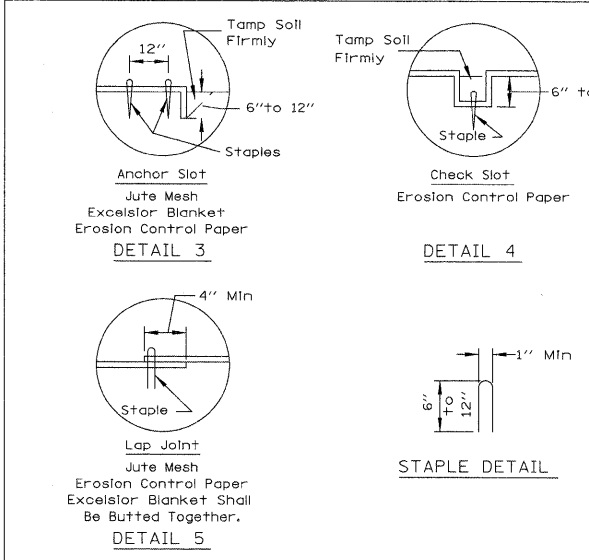
ROCK CHECK DAM - RIPRAP



- NOTES:
1. Filter fabric shall meet the requirements of material specification Article 1080.03
 2. Coarse aggregate shall meet one of the following IDOT gradations, CA-1, CA-2, CA-3, or CA-4
 3. Riprap shall meet IDOT gradation RR-3 or RR-4 and meet Quality Designation A.
 4. Coarse aggregate and riprap shall be placed according to construction specification Article 281.04
 5. For added stability, the base of the dam may be keyed 6 inches into the soil.
 6. See plans for spacing of dams and H dimensions.
 7. Maximum drainage area to each dam.
 8. ROCK CHECK DAM-COARSE AGGREGATE IL-605CA may be used for drainage areas under 2 acres.

REFERENCE Project NEW STEARNS ROAD Designed MSK Date _____ Checked JWW Date _____ Approved _____ Date _____	NRCS Natural Resources Conservation Service	STANDARD DWG. NO. IL-605R SHEET 1 OF 1 DATE 1-29-99
--	---	---

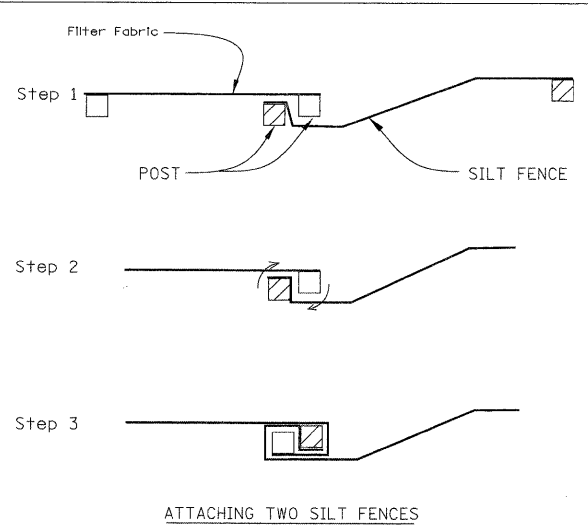
EROSION CONTROL BLANKET PLAN



- NOTES:
1. On erosion control paper, check slots, in ditch channel shall be spaced so that one occurs within each 50' on slopes of more than 4% and less than 6%. On slopes of 6% or more, they shall be spaced so that one occurs within each 25'.
 2. Staples are to be placed alternately, in columns approximately 2' apart and in rows approximately 3' apart. Approximately 175 staples are required per 4' x 225' roll of material and 125 staples are required per 4' x 150' roll of material.
 3. Erosion control material shall be placed loosely over ground surface. Do not stretch.
 4. All terminal ends and transverse laps shall be stapled at approximately 12" intervals.

REFERENCE Project NEW STEARNS ROAD Designed MSK Date _____ Checked JWW Date _____ Approved _____ Date _____	NRCS Natural Resources Conservation Service	STANDARD DWG. NO. IL-530 SHEET 2 OF 2 DATE 3-1-95
--	---	---

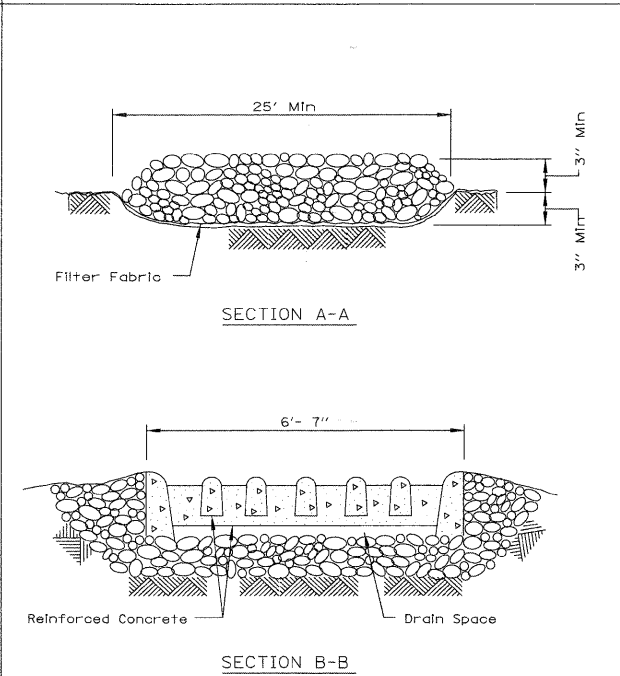
SEDIMENT CONTROL, SILT FENCE



- NOTES:
1. Place the end post of the second fence inside the end post of the first fence.
 2. Rotate both posts at least 180 degrees in a clockwise direction to create a tight seal with the fabric material.
 3. Drive both posts a minimum of 18 inches into the ground and bury the flap.

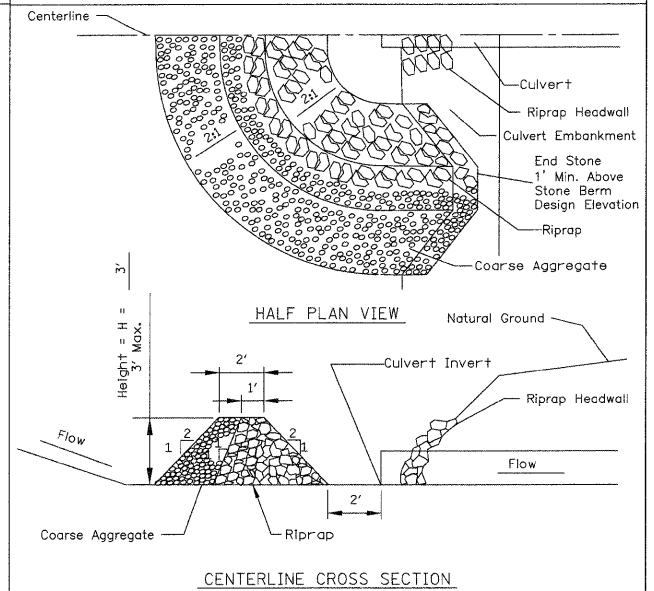
REFERENCE Project NEW STEARNS ROAD Designed MSK Date _____ Checked JWW Date _____ Approved _____ Date _____	NRCS Natural Resources Conservation Service	STANDARD DWG. NO. IL-620(W) SHEET 2 OF 2 DATE 1-29-99
--	---	---

STABILIZED CONSTRUCTION ENTRANCE PLAN



REFERENCE Project NEW STEARNS ROAD Designed MSK Date _____ Checked JWW Date _____ Approved _____ Date _____	NRCS Natural Resources Conservation Service	STANDARD DWG. NO. IL-630 SHEET 2 OF 2 DATE 8-18-94
--	---	--

CULVERT INLET PROTECTION - STONE



- NOTES:
1. Sediment shall be removed when the sediment has accumulated to one-half the height of the stone berm.
 2. Coarse aggregate shall meet one of the following IDOT coarse aggregate gradations, CA-1, CA-2, CA-3 or CA-4.
 3. Riprap shall meet IDOT gradation RR-3 or RR-4.
 4. Any permanent riprap, such as for the culvert headwall, shall meet IDOT Quality Designation A.
 5. Coarse aggregate and riprap shall be placed according to construction specification 25 ROCKFILL using placement Method 1 and Class III compaction.
 6. The maximum drainage area to the culvert being protected is 3 acres.
 7. See plans for H dimension. Tie the stone berm into the culvert embankment a minimum of 1 foot above the design elevation of the stone berm.

REFERENCE Project NEW STEARNS ROAD Designed MSK Date _____ Checked JWW Date _____ Approved _____ Date _____	NRCS Natural Resources Conservation Service	STANDARD DWG. NO. IL-508ST SHEET 1 OF 1 DATE 1-29-99
--	---	--

FILE NAME = ECP-070793-DETAILS_01.SHT
USER NAME = dvrmond
PLOT SCALE = 50'
PLOT DATE = 1/14/2009

DESIGNED - MSK	REVISED -
DRAWN - DJV	REVISED -
CHECKED - JWW	REVISED -
DATE - 1/16/09	REVISED -

STATE OF ILLINOIS
DEPARTMENT OF TRANSPORTATION

STEARNS ROAD
EROSION AND SEDIMENT CONTROL DETAILS

SCALE: NTS SHEET NO. 6 OF 7 SHEETS STA. TO STA.

F.A.P. RTE. 361	SECTION 06-00214-20-BR	COUNTY KANE	TOTAL SHEETS 320	SHEET NO. 57
CONTRACT NO.				
FED. ROAD DIST. NO. ILLINOIS FED. AID PROJECT				