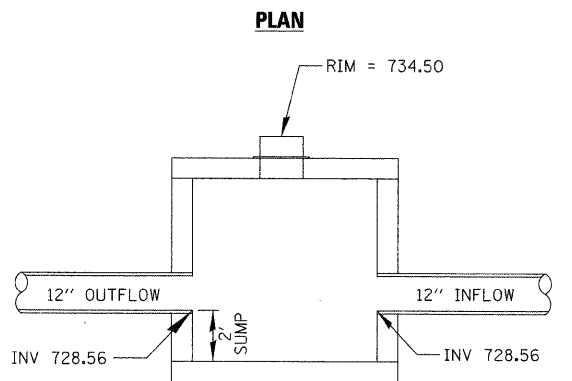
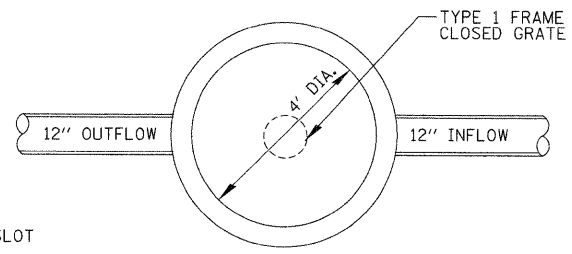
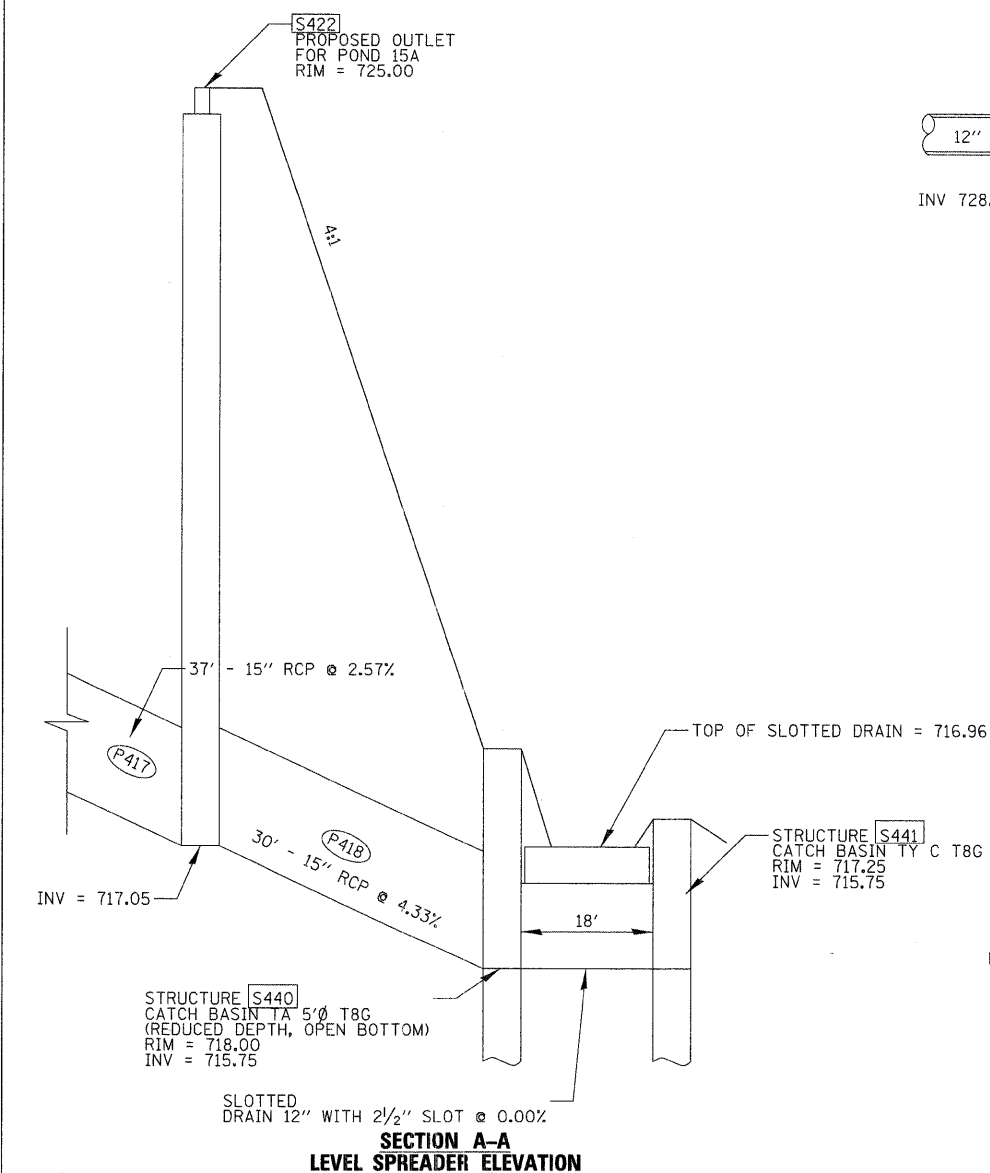
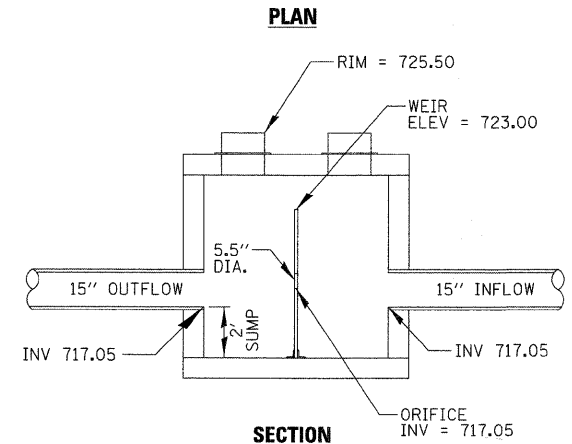
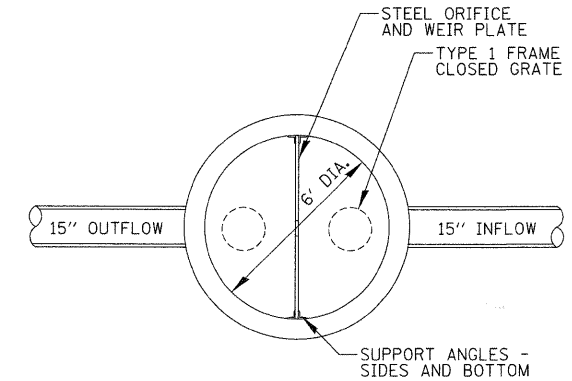


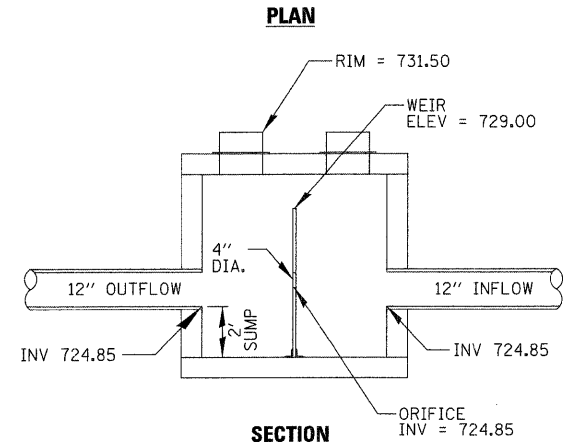
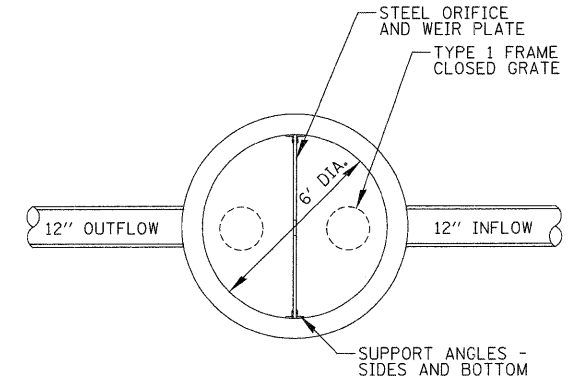
**LEVEL SPREADER
STA. 550+00**



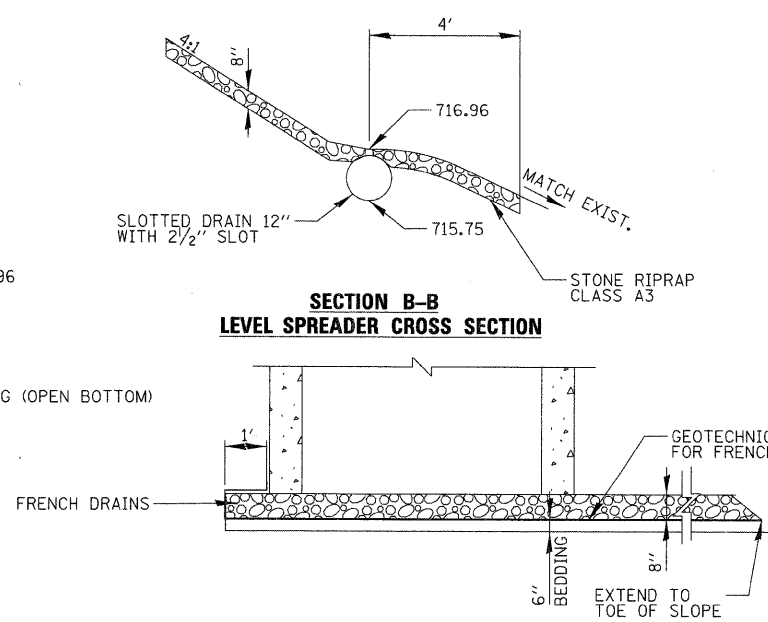
**PROPOSED OUTLET FOR POND 6A
STRUCTURE S334 STA. 531+50.47, 131.92 RT**



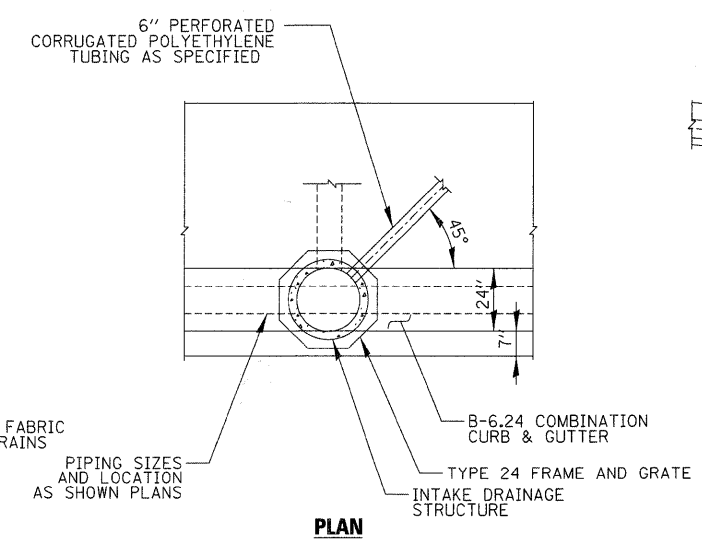
**PROPOSED OUTLET FOR POND 15A
STRUCTURE S422 STA. 549+79.17, 113.23 RT**



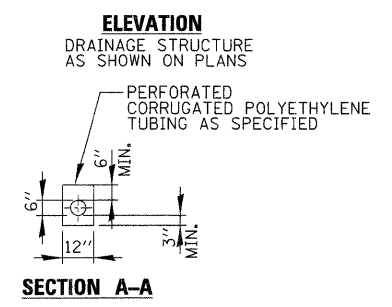
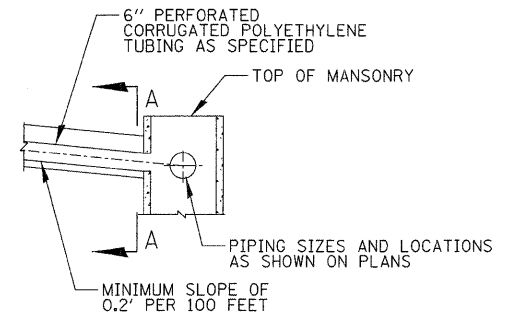
**PROPOSED OUTLET FOR POND 15B
STRUCTURE S502 STA. 555+48.15, 43.62 LT**



**OPEN BOTTOM DETAIL FOR
CATCH BASINS S440 & S441**
 STRUCTURE S440 TO BE PAID FOR AS CB, TYPE A, 5' DIAMETER, TYPE 8 GRATE
 STRUCTURE S441 TO BE PAID FOR AS CB, TYPE C, TYPE 8 GRATE



**UNDERDRAIN DETAILS
NTS**



FILE NAME = D_DET_070793_01.SHT

USER NAME = GTINE	DESIGNED JOC	REVISED -
PLOT SCALE = 5/8"	DRAWN MYG	REVISED -
PLOT DATE = 2/11/2009	CHECKED CW	REVISED -
	DATE 01/16/09	REVISED -

**STATE OF ILLINOIS
DEPARTMENT OF TRANSPORTATION**

DRAINAGE DETAILS

SCALE: 1" = 50' SHEET NO. OF SHEETS STA. TO STA.

F.A.P. RTE. 361	SECTION 06-00214-20-BR	COUNTY KANE	TOTAL SHEETS 320	SHEET NO. 70
CONTRACT NO. 63075				
FED. ROAD DIST. NO. 1 ILLINOIS FED. AID PROJECT				