

F.A.P. RTE.	SECTION	COUNTY	TOTAL SHEETS	SHEET NO.
361	06-00214-20-BR	KANE	320	118
STA. 511+80.00		TO STA. 609+14.92		
FED. ROAD DIST. NO. 7		ILLINOIS FED. AID PROJECT		
SHEET NO. S13 OF S108				

**WEST APPROACH
NORTH EDGE OF SHOULDER**

Location	Station	Offset (ft)	Theoretical Grade Elevations
W. End West Appr. Pav't.	566+23.25	-26.00	745.10
A1	566+33.25	-26.00	745.11
A2	566+43.25	-26.00	745.13
E. End West Appr. Pav't.	566+53.25	-26.00	745.11

NORTH EDGE OF PAVEMENT

Location	Station	Offset (ft)	Theoretical Grade Elevations
W. End West Appr. Pav't.	566+23.25	-24.00	745.16
A1	566+33.25	-24.00	745.16
A2	566+43.25	-24.00	745.15
E. End West Appr. Pav't.	566+53.25	-24.00	745.13

P.G. W.B.

Location	Station	Offset (ft)	Theoretical Grade Elevations
W. End West Appr. Pav't.	566+23.25	0.00	745.64
A1	566+33.25	0.00	745.64
A2	566+43.25	0.00	745.63
E. End West Appr. Pav't.	566+53.25	0.00	745.61

P.G. E.B.

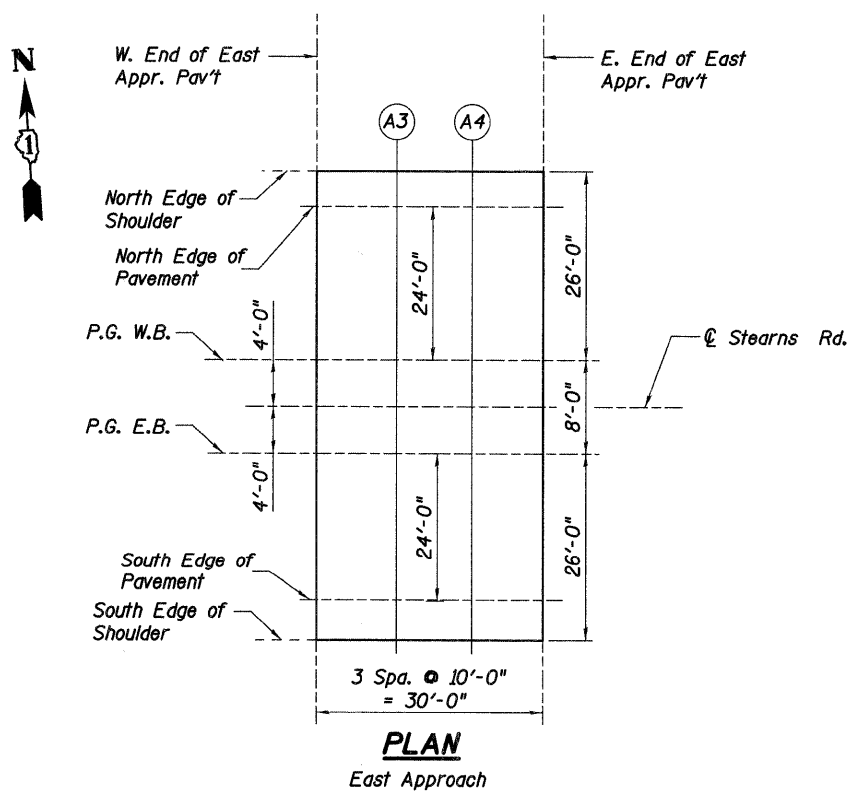
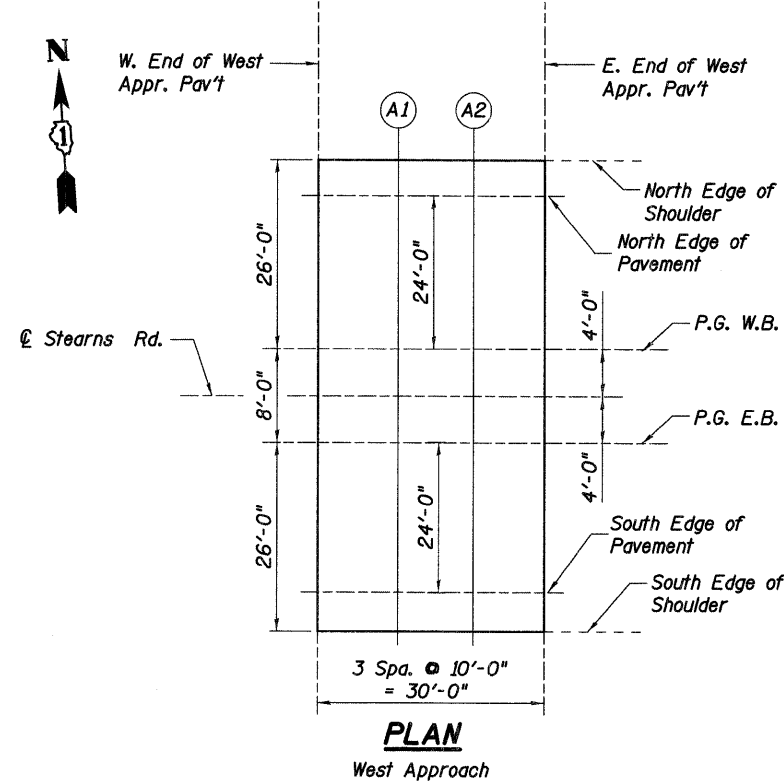
Location	Station	Offset (ft)	Theoretical Grade Elevations
W. End West Appr. Pav't.	566+23.25	0.00	745.64
A1	566+33.25	0.00	745.64
A2	566+43.25	0.00	745.63
E. End West Appr. Pav't.	566+53.25	0.00	745.61

SOUTH EDGE OF PAVEMENT

Location	Station	Offset (ft)	Theoretical Grade Elevations
W. End West Appr. Pav't.	566+23.25	24.00	745.16
A1	566+33.25	24.00	745.16
A2	566+43.25	24.00	745.15
E. End West Appr. Pav't.	566+53.25	24.00	745.13

SOUTH EDGE OF SHOULDER

Location	Station	Offset (ft)	Theoretical Grade Elevations
W. End West Appr. Pav't.	566+23.25	26.00	745.10
A1	566+33.25	26.00	745.11
A2	566+43.25	26.00	745.13
E. End West Appr. Pav't.	566+53.25	26.00	745.11



**EAST APPROACH
NORTH EDGE OF SHOULDER**

Location	Station	Offset (ft)	Theoretical Grade Elevations
W. End East Appr. Pav't.	576+32.67	-26.00	719.42
A3	576+42.67	-26.00	719.12
A4	576+52.67	-26.00	718.79
E. End East Appr. Pav't.	576+62.67	-26.00	718.47

NORTH EDGE OF PAVEMENT

Location	Station	Offset (ft)	Theoretical Grade Elevations
W. End East Appr. Pav't.	576+32.67	-24.00	719.44
A3	576+42.67	-24.00	719.14
A4	576+52.67	-24.00	718.84
E. End East Appr. Pav't.	576+62.67	-24.00	718.54

P.G. W.B.

Location	Station	Offset (ft)	Theoretical Grade Elevations
W. End East Appr. Pav't.	576+32.67	0.00	719.92
A3	576+42.67	0.00	719.62
A4	576+52.67	0.00	719.32
E. End East Appr. Pav't.	576+62.67	0.00	719.02

P.G. E.B.

Location	Station	Offset (ft)	Theoretical Grade Elevations
W. End East Appr. Pav't.	576+32.67	0.00	719.92
A3	576+42.67	0.00	719.62
A4	576+52.67	0.00	719.32
E. End East Appr. Pav't.	576+62.67	0.00	719.02

SOUTH EDGE OF PAVEMENT

Location	Station	Offset (ft)	Theoretical Grade Elevations
W. End East Appr. Pav't.	576+32.67	24.00	719.44
A3	576+42.67	24.00	719.14
A4	576+52.67	24.00	718.84
E. End East Appr. Pav't.	576+62.67	24.00	718.54

SOUTH EDGE OF SHOULDER

Location	Station	Offset (ft)	Theoretical Grade Elevations
W. End East Appr. Pav't.	576+32.67	26.00	719.42
A3	576+42.67	26.00	719.12
A4	576+52.67	26.00	718.79
E. End East Appr. Pav't.	576+62.67	26.00	718.47

REVISIONS	
NAME	DATE



ILLINOIS DEPARTMENT OF TRANSPORTATION
**TOP OF
 APPROACH SLAB ELEVATIONS**
 STEARNS ROAD PUBLIC
 OVER THE FOX RIVER WATERS
 STRUCTURE NUMBER 045-3166
 KANE COUNTY FAP 361 SECTION 06-00214-20-BR
 STATION 571+42.96 DESIGNED: GWG DRAWN: SGW
 DATE: JANUARY 16, 2009 CHECKED: KPZ CHECKED: KPZ

h:\3005\3.0 phase 11 deliverables\3.3 structure\drawings\Final\045-3166 SlabApprElev.dgn 7/5/2009