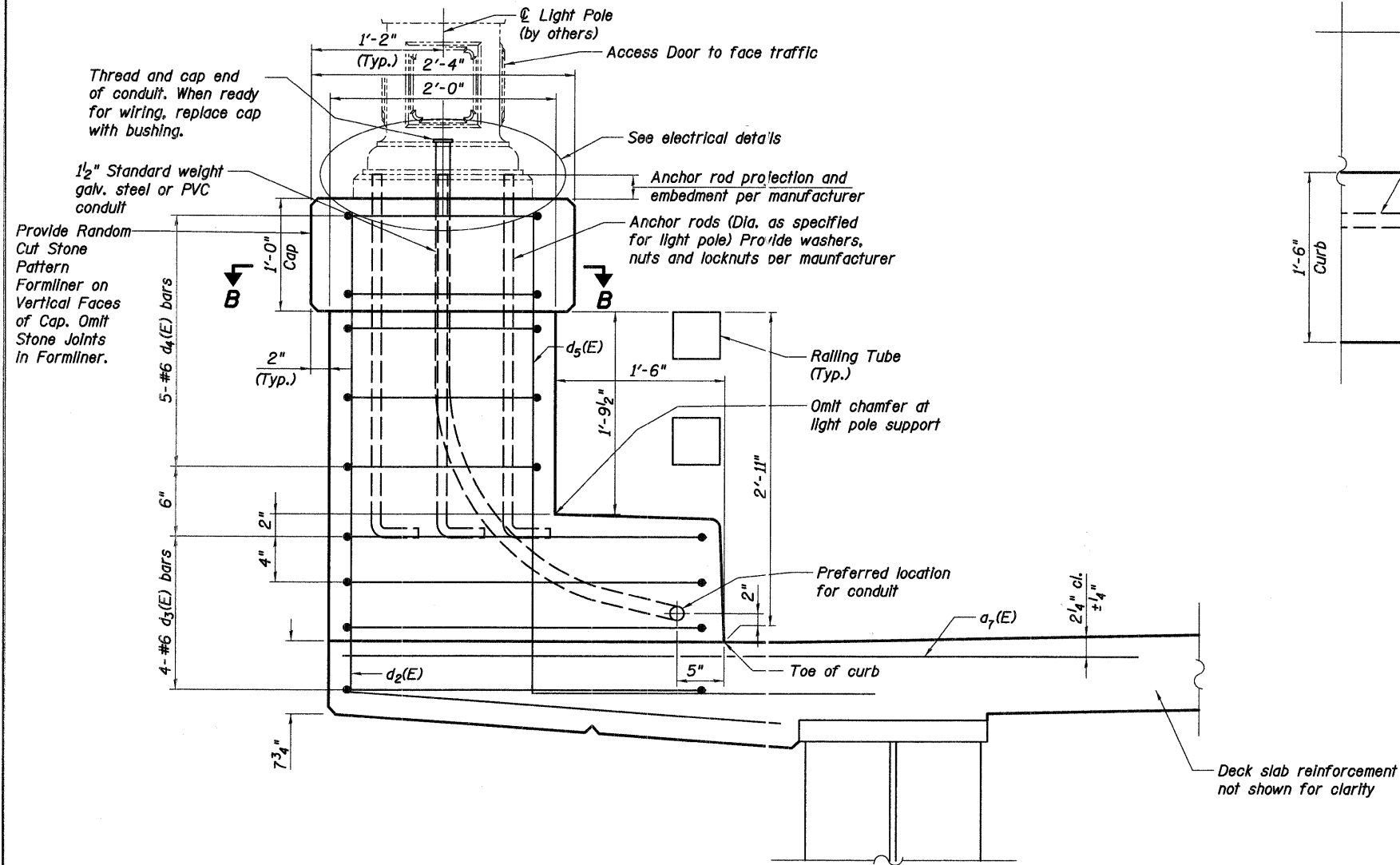
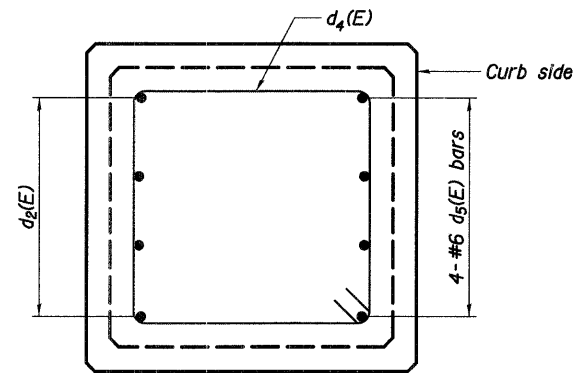


F.A.P. RTE.	SECTION	COUNTY	TOTAL SHEETS	SHEET NO.
361	06-00214-20-BR	KANE	320	125
STA. 511+80.00		TO STA. 609+14.92		
FED. ROAD DIST. NO. 7		ILLINOIS FED. AID PROJECT		
SHEET NO. S20 OF S108				

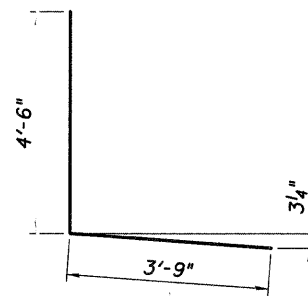


SECTION A-A

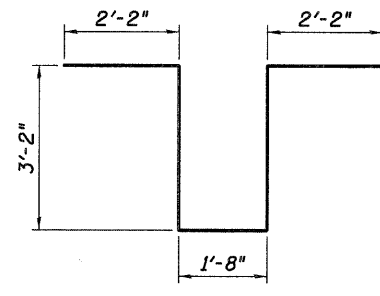


SECTION B-B

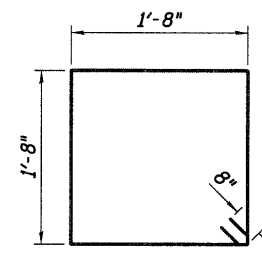
Anchor rods and conduit not shown



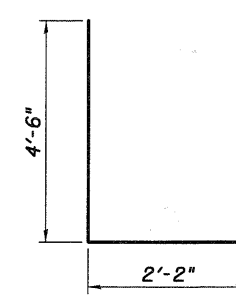
BAR d2(E)



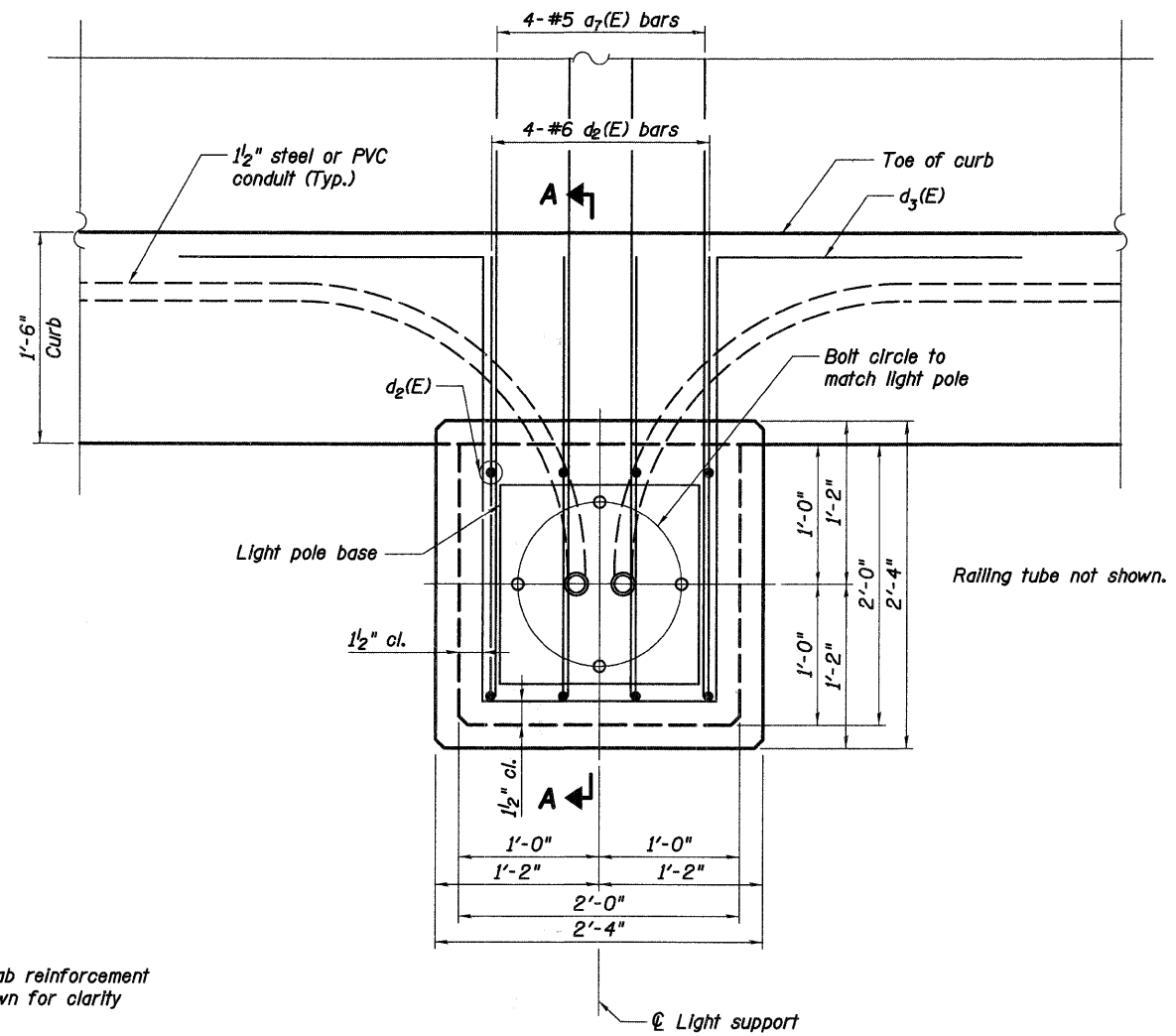
BAR d3(E)



BAR d4(E)



BAR d5(E)



PLAN

Notes:

1. Cost of anchor rods and conduit is included with Concrete Superstructure.
2. For electrical details see lighting plans.
3. For deck slab details see sheets S14 to S19 of S108.
4. For light support locations see sheets S14 to S18 of S108.
5. See Sheet S51 of S108 for rubbed finish details.

REVISIONS	
NAME	DATE

ILLINOIS DEPARTMENT OF TRANSPORTATION

LIGHT SUPPORT DETAILS

STEARNS ROAD OVER THE FOX RIVER PUBLIC WATERS
 STRUCTURE NUMBER 045-3166
 KANE COUNTY FAP 361 SECTION 06-00214-20-BR
 STATION 571+42.96 DESIGNED: CWG DRAWN: CWG
 DATE: JANUARY 16, 2009 CHECKED: KPZ CHECKED: KPZ

Baker

Baker Engineering, Inc.