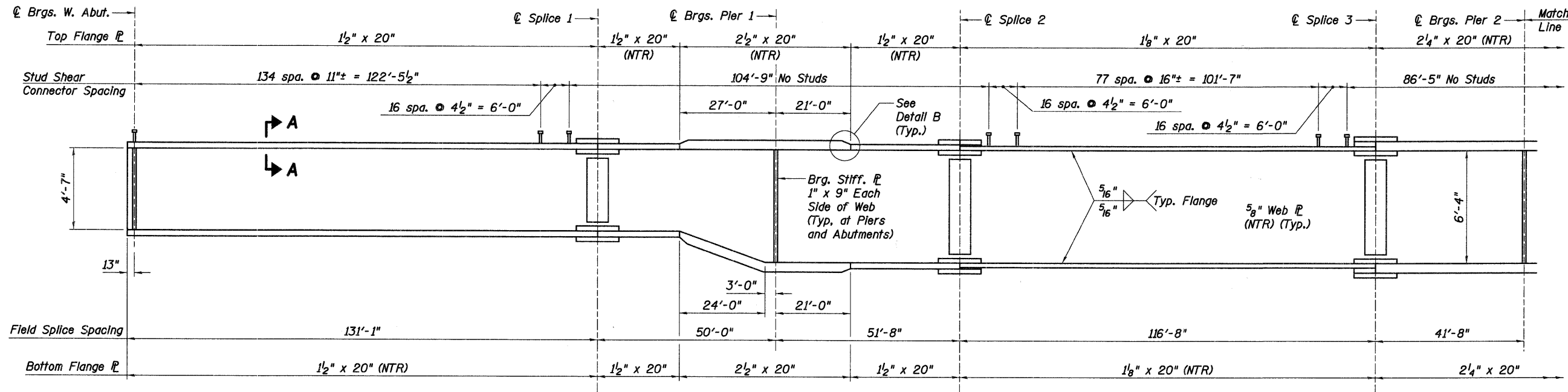
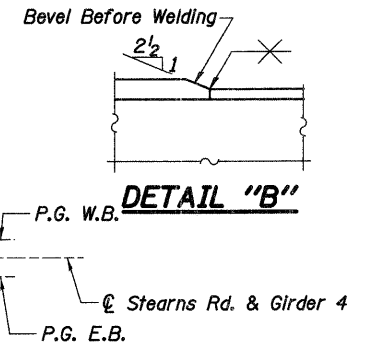
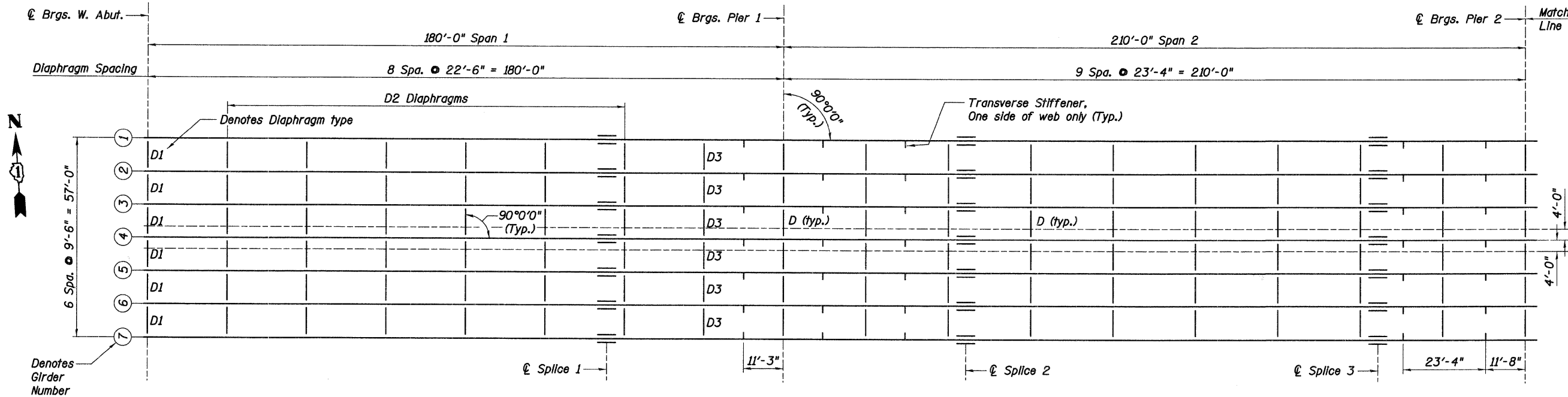


F.A.P. RTE.	SECTION	COUNTY	TOTAL SHEETS	SHEET NO.
361	06-00214-20-BR	KANE	320	131
STA. 511+80.00		TO STA. 609+14.92		
FED. ROAD DIST. NO. 7		ILLINOIS FED. AID PROJECT		
SHEET NO. S26 OF S108				



**PARTIAL GIRDER ELEVATION**

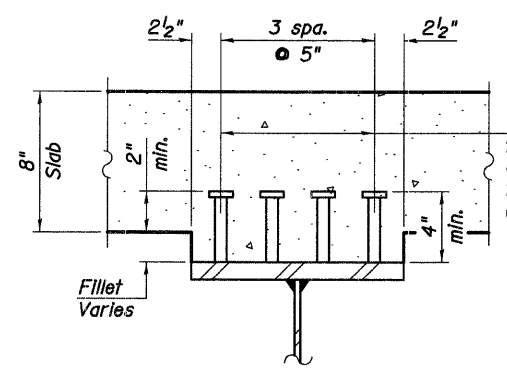
**TOP OF WEB ELEVATIONS**

Girder Number	☉ Brg. W. Abut.	☉ Splice 1	☉ Pier 1	☉ Splice 2	☉ Splice 3	☉ Pier 2	☉ Splice 4	☉ Splice 5	☉ Pier 3	☉ Splice 6	☉ Splice 7	☉ Pier 4	☉ Splice 8	☉ Brg. E. Abut.
1	744.25	743.24	741.97	740.86	737.36	736.09	734.81	731.09	729.79	728.48	724.79	723.48	722.17	718.68
2	744.44	743.43	742.16	741.05	737.55	736.28	735.00	731.28	729.98	728.67	724.98	723.67	722.36	718.87
3	744.63	743.62	742.35	741.24	737.74	736.47	735.19	731.47	730.17	728.86	725.17	723.86	722.55	719.06
4	744.82	743.81	742.54	741.43	737.93	736.66	735.38	731.66	730.36	729.05	725.36	724.05	722.74	719.25
5	744.63	743.62	742.35	741.24	737.74	736.47	735.19	731.47	730.17	728.86	725.17	723.86	722.55	719.06
6	744.44	743.43	742.16	741.05	737.55	736.28	735.00	731.28	729.98	728.67	724.98	723.67	722.36	718.87
7	744.25	743.24	741.97	740.86	737.36	736.09	734.81	731.09	729.79	728.48	724.79	723.48	722.17	718.68

(For Fabrication Only)

**Notes:**

- For additional Framing Plan and Girder Elevation Information, see sheets S27 and S28 of S108.
- All cross frames or diaphragms shall be installed as steel is erected and secured with erection pins and bolts except as otherwise noted. Individual cross frames or diaphragms at supports may be temporarily disconnected to install bearing anchor rods.
- Load carrying components designated "NTR" shall conform to the Supplemental Requirements Notch Toughness, Zone 2.
- For Diaphragm details, see sheet S29 of S108.
- For Splice details, see sheet S30 of S108.
- The structural steel for girders, bearing stiffeners, and splice plate material except fill plates shall conform to the requirements of AASHTO M270, Gr. 50.



**SECTION A-A**



REVISIONS	
NAME	DATE

ILLINOIS DEPARTMENT OF TRANSPORTATION  
**FRAMING PLAN AND GIRDER ELEVATION I**  
 STEARNS ROAD OVER THE FOX RIVER PUBLIC  
 STRUCTURE NUMBER 045-3166 WATERS  
 KANE COUNTY FAP 361 SECTION 06-00214-20-BR  
 STATION 571+42.96 DESIGNED: GWG DRAWN: SGW  
 DATE: JANUARY 16, 2009 CHECKED: KPZ CHECKED: KPZ