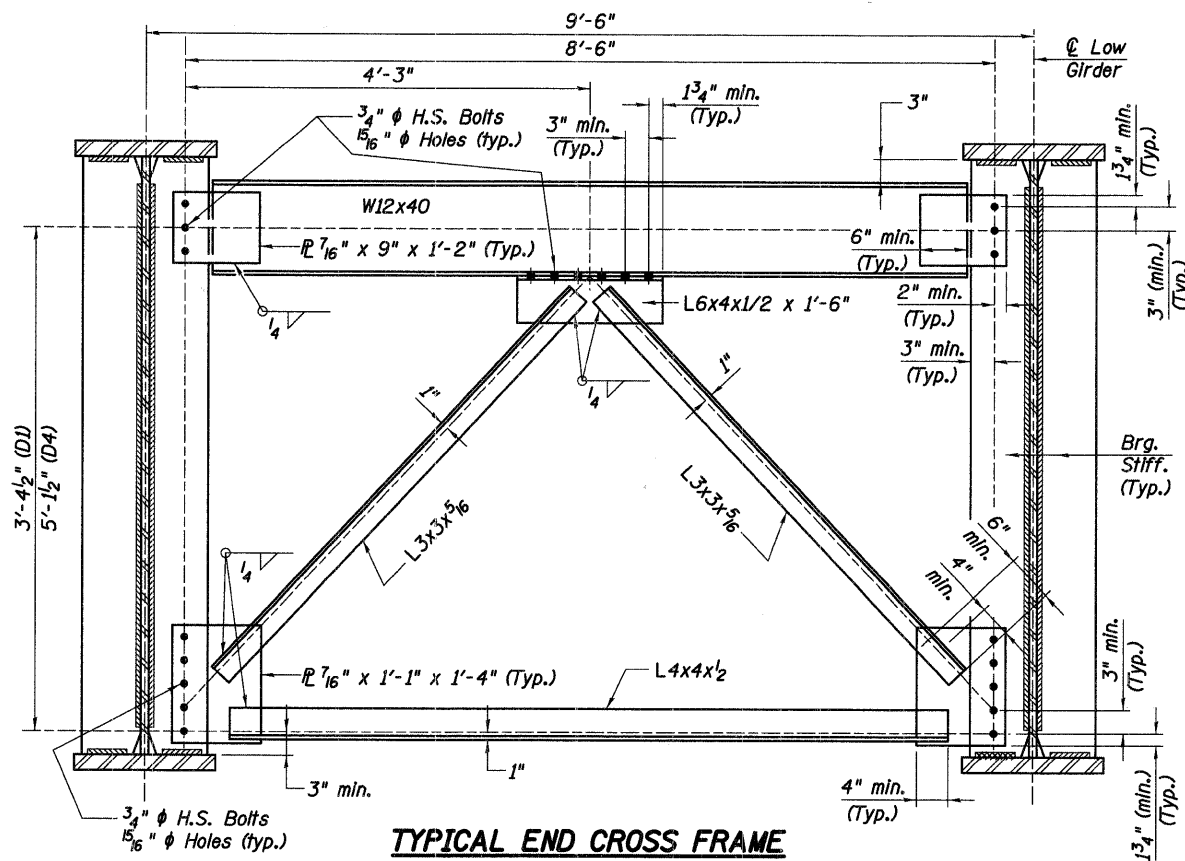
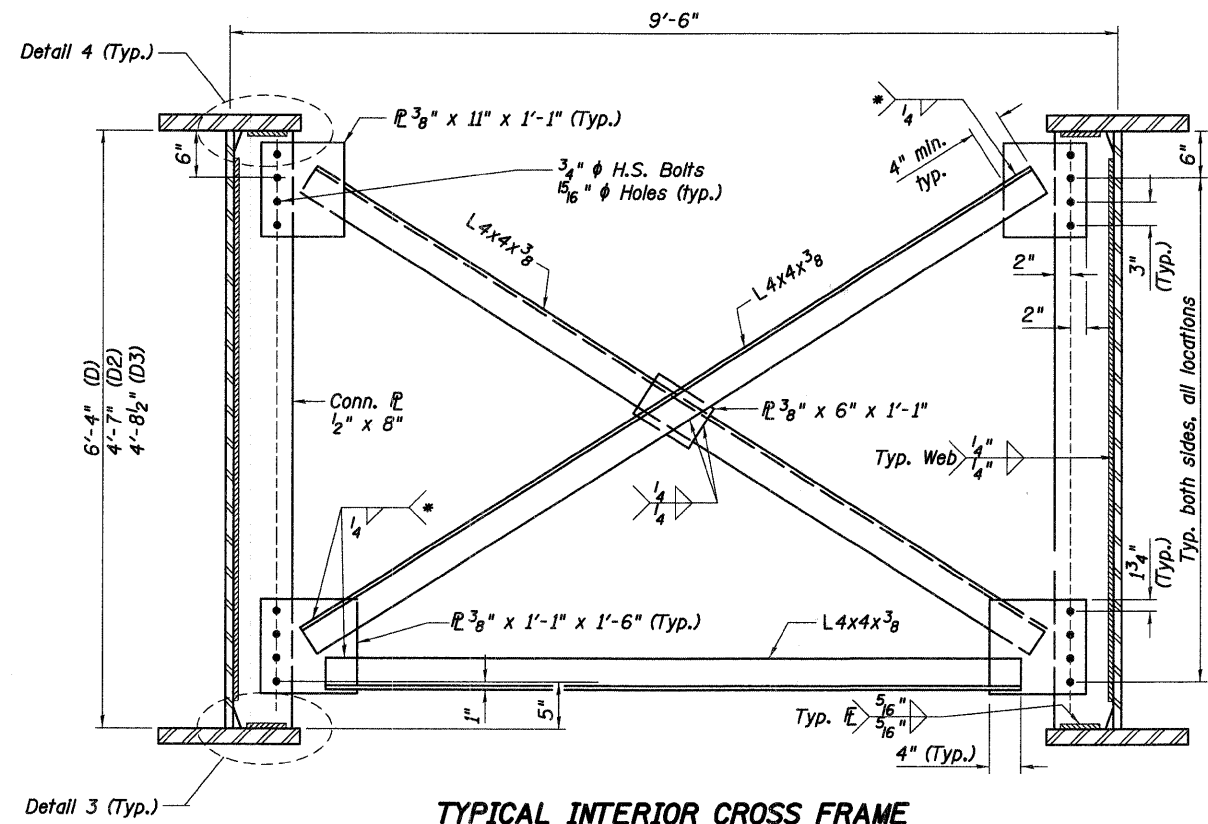


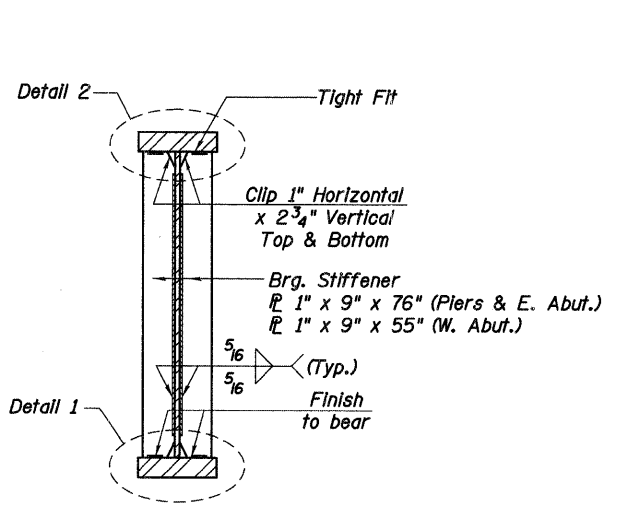
F.A.P. RTE.	SECTION	COUNTY	TOTAL SHEETS	SHEET NO.
361	06-00214-20-BR	KANE	320	134
STA. 511+80.00		TO STA. 609+14.92		
FED. ROAD DIST. NO. 7		ILLINOIS FED. AID PROJECT		
SHEET NO. S29 OF S108				



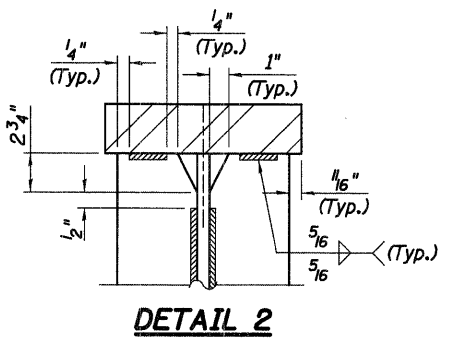
**TYPICAL END CROSS FRAME**  
Diaphragm Type D1 ( 6 Req'd)  
Diaphragm Type D4 ( 6 Req'd)



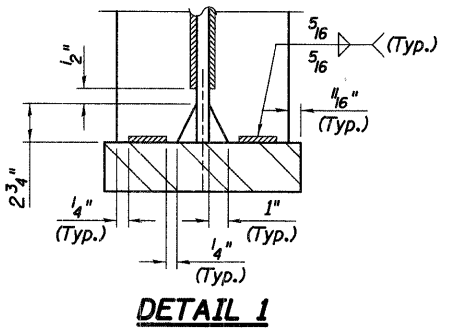
**TYPICAL INTERIOR CROSS FRAME**  
Diaphragm Type D ( 204 Req'd)  
Diaphragm Type D2 ( 36 Req'd)  
Diaphragm Type D3 ( 6 Req'd)



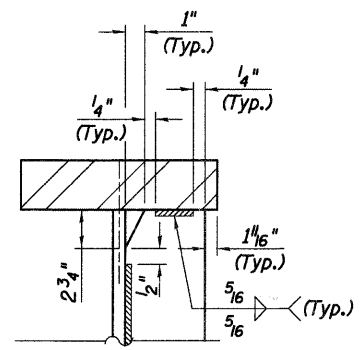
**TYPICAL BEARING STIFFENER**



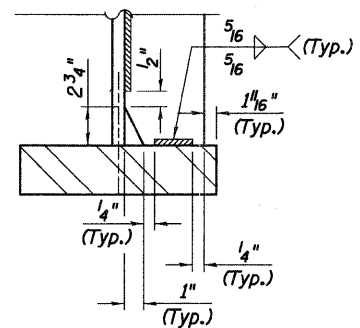
**DETAIL 2**



**DETAIL 1**



**DETAIL 4**



**DETAIL 3**

- Notes:**
1. For Diaphragm locations, see sheets S26 to S28 of S108.
  2. Two hardened washers required for all diaphragm holes.
  3. All cross frame components shall be AASHTO M270 Gr. 36.

REVISIONS	
NAME	DATE

ILLINOIS DEPARTMENT OF TRANSPORTATION  
**STEEL DETAILS I**  
STEARNS ROAD OVER THE FOX RIVER PUBLIC WATERS  
STRUCTURE NUMBER 045-3166  
KANE COUNTY FAP 361 SECTION 06-00214-20-BR  
STATION 571+42.96 DESIGNED: CWG DRAWN: SGW  
DATE: JANUARY 16, 2009 CHECKED: KPZ CHECKED: KPZ

**Baker**  
Baker Engineering, Inc.

h:\3005\3.0 phase 11 deliverables\3.3 structure\drawings\final\045-3166 SteelDetails.dgn 7/5/2009