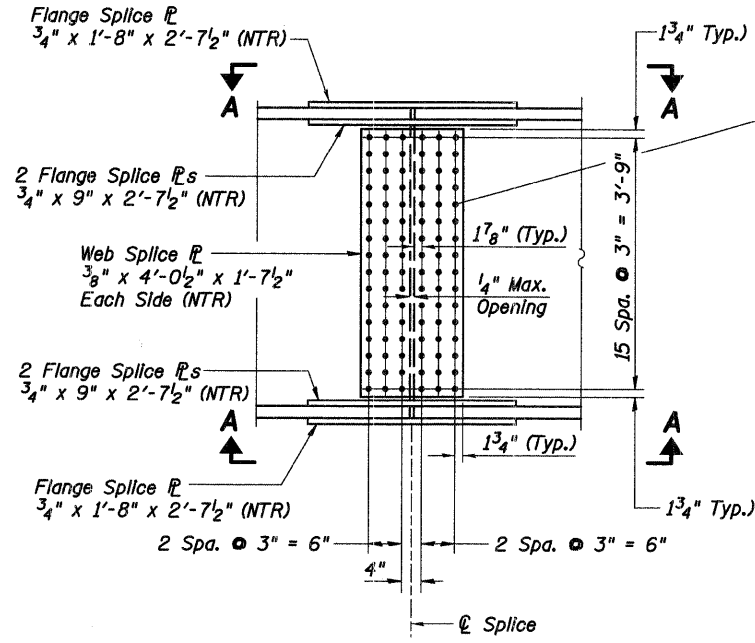
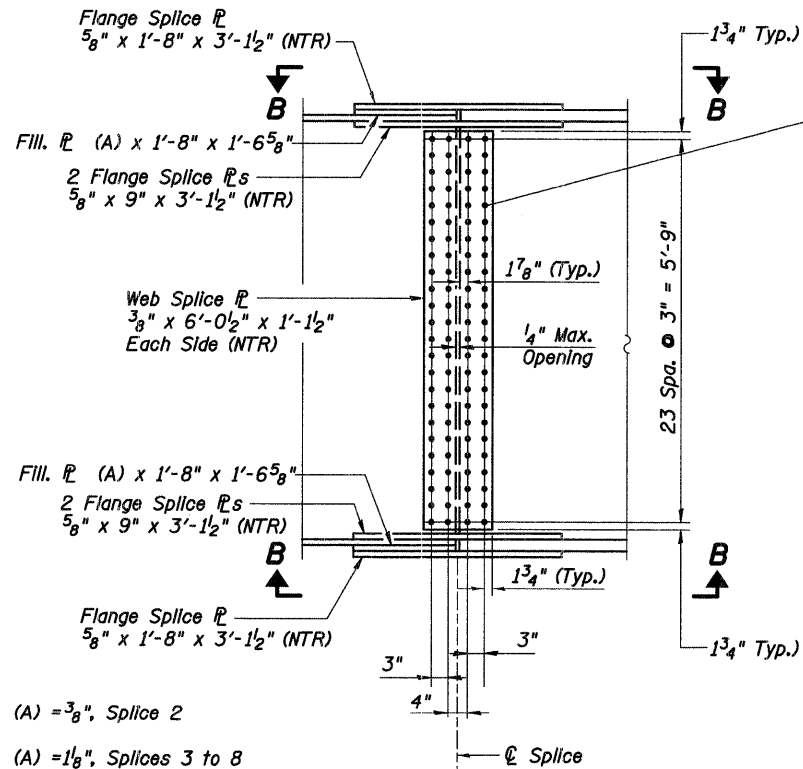
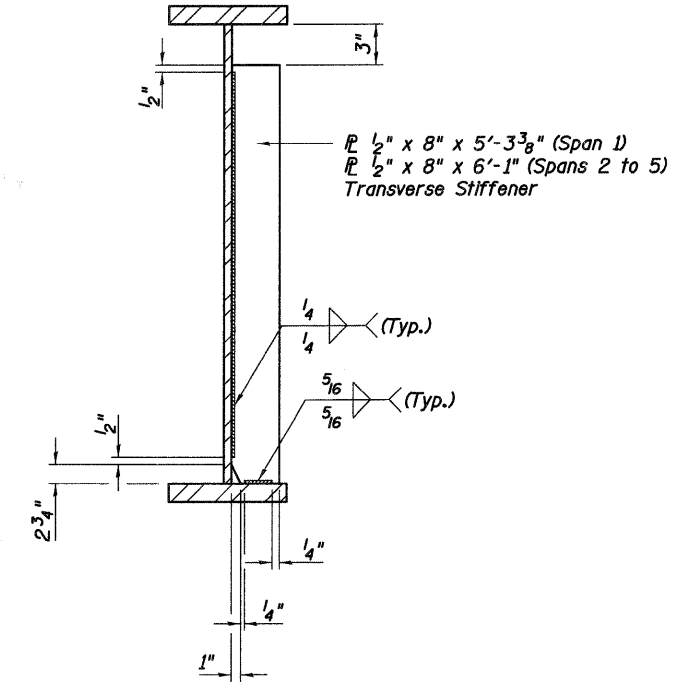
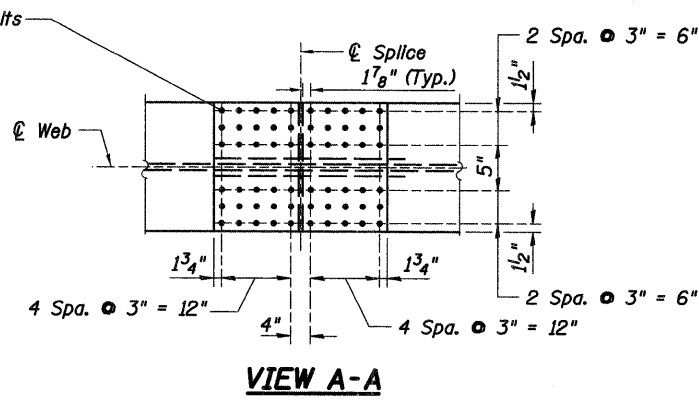


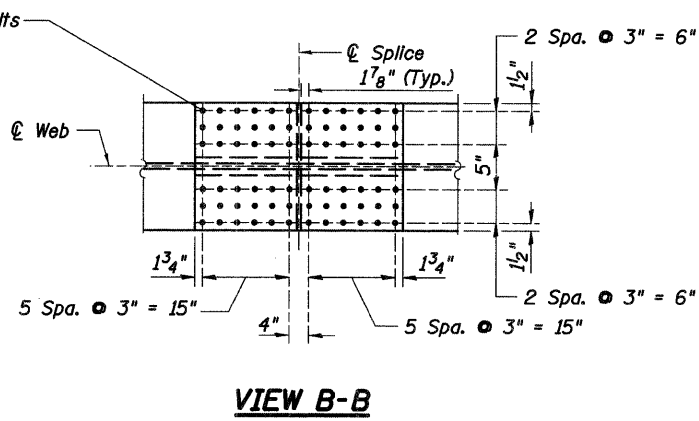
F.A.P. RTE.	SECTION	COUNTY	TOTAL SHEETS	SHEET NO.
361	06-00214-20-BR	KANE	320	135
STA. 511+80.00		TO STA. 609+14.92		
FED. ROAD DIST. NO. 7		ILLINOIS FED. AID PROJECT		
SHEET NO. S30 OF S108				



SPLICE 1 ELEVATION



SPLICE 2 TO 8 ELEVATION



(A) = 3 $\frac{1}{8}$ " Splice 2
 (A) = 1 $\frac{1}{8}$ " Splices 3 to 8

Notes:

1. For Splice and Stiffener locations, see sheets S26 to S28 of S108.
2. Load carrying components designated "NTR" shall conform to the Supplemental Requirements Notch Toughness, Zone 2.

REVISIONS	
NAME	DATE

ILLINOIS DEPARTMENT OF TRANSPORTATION

STEEL DETAILS II

STEARNS ROAD PUBLIC
 OVER THE FOX RIVER WATERS
 STRUCTURE NUMBER 045-3166
 KANE COUNTY FAP 361 SECTION 06-00214-20-BR
 STATION 571+42.96 DESIGNED: GWG DRAWN: SGW
 DATE: JANUARY 16, 2009 CHECKED: KPZ CHECKED: KPZ

Baker

Baker Engineering, Inc.