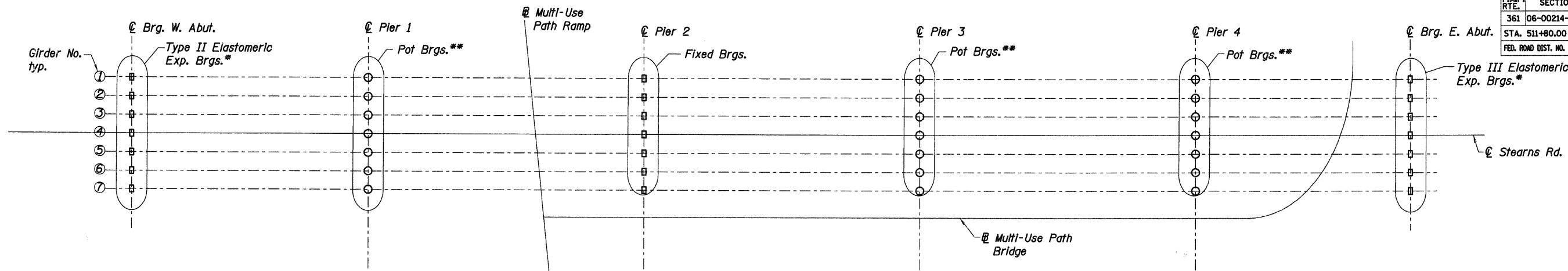


F.A.P. RTE.	SECTION	COUNTY	TOTAL SHEETS	SHEET NO.
361	06-00214-20-BR	KANE	320	136
STA. 511+80.00		TO STA. 609+14.92		
FED. ROAD DIST. NO. 7		ILLINOIS	FED. AID PROJECT	
			SHEET NO. S31 OF S108	

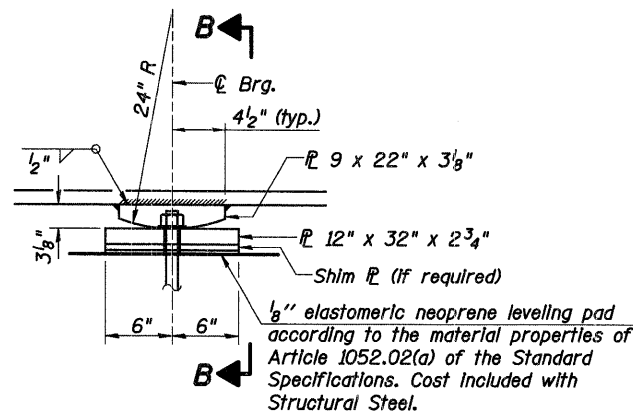


\* See sheet S32 of S108 for Type II and Type III elastomeric exp. bearing details  
 \*\* See sheet S33 of S108 for Pot bearing details

**BEARING LOCATION AND KEY PLAN**  
 (Plan not to scale)

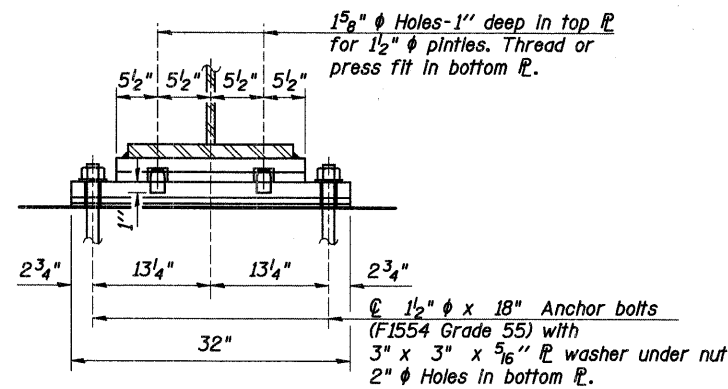
**Notes:**

1. Cost of fixed bearing assemblies, excluding anchor bolts, to be included with "Furnishing and Erecting Structural Steel."
2. Anchor bolts shall be ASTM F1554 all-thread (or an Engineer-approved alternate material) of the grade(s) and diameter(s) specified. ASTM A307 Grade C anchor bolts may be used in lieu of ASTM F1554 Grade 36 (Fy=36ksi). The corresponding specified grade of AASHTO M314 anchor bolts may be used in lieu of ASTM F1554.
3. Anchor bolts at fixed bearings may be either cast in place or installed in holes drilled after the supported member is in place.
4. Anchor bolts for Type II and Type III bearings shall be placed in holes drilled in the concrete through holes in the bottom bearing plate after members are in place. Side retainers shall be placed after bolts are installed.
5. Drilled and set anchor bolts shall be installed according to Article 521.06 of the Standard Specifications.
6. Side retainers and other steel members required for the bearing assembly shall be included in the cost of Elastomeric Bearing Assembly, Type II and Type III.
7. The 1/8" PTFE sheet shall be bonded directly to the top steel plate with a two-component, medium viscosity epoxy resin, conforming to the requirements of the Federal Specification MMM-A-134, Type I. The bond agent shall be applied on the full area of the contact surfaces.
8. Bonding of 1/8" PTFE sheet during vulcanizing process will be permitted provided the process and method of adjusting assembly height is approved by the Engineer.
9. Two 1/8 in. adjusting shims shall be provided for each bearing in addition to all other plates or shims and placed as shown on bearing details.
10. The structural steel plates and pintles of the bearing assemblies shall conform to the requirements of AASHTO M270, Gr. 50.
11. H.S. Bolts in bearing assembly shall be galvanized according to AASHTO M289 Class 50.

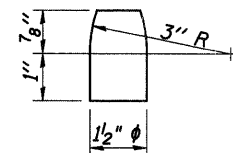


**ELEVATION AT PIER**

**FIXED BEARING**  
 (Pier 2 - 7 required)



**SECTION B-B**



**PINTLE**

**BILL OF MATERIAL**

Item	Unit	Total
Anchor Bolts, 1 1/2"	Each	14

REVISIONS	
NAME	DATE

ILLINOIS DEPARTMENT OF TRANSPORTATION

**BEARING DETAILS I**

STEARNS ROAD OVER THE FOX RIVER PUBLIC WATERS  
 STRUCTURE NUMBER 045-3166  
 KANE COUNTY FAP 361 SECTION 06-00214-20-BR  
 STATION 571+42.96 DESIGNED: DAP DRAWN: SGW  
 DATE: JANUARY 16, 2009 CHECKED: KPZ CHECKED: KPZ

**Baker**

Baker Engineering, Inc.