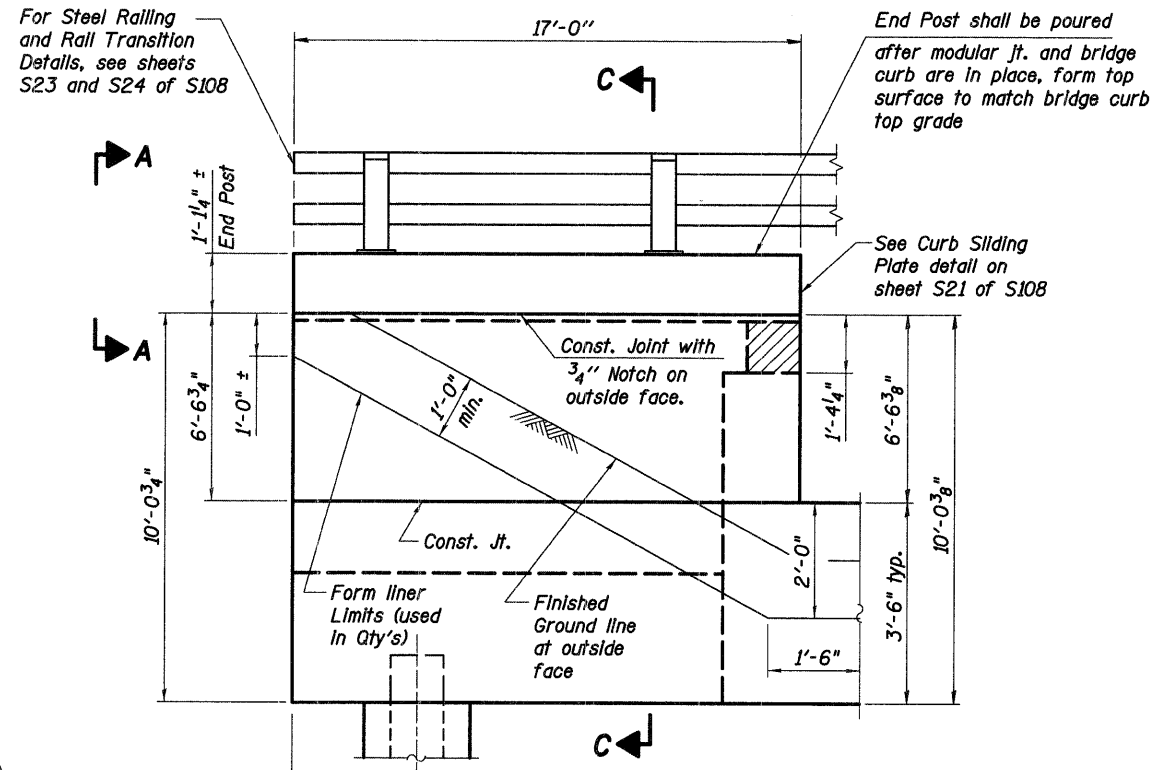
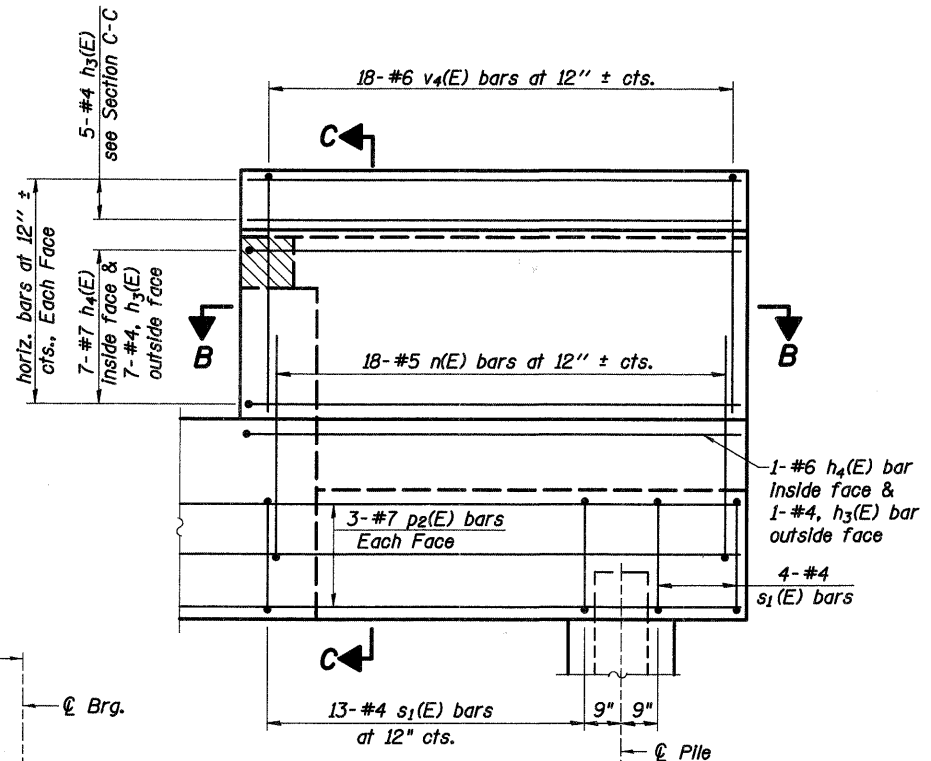


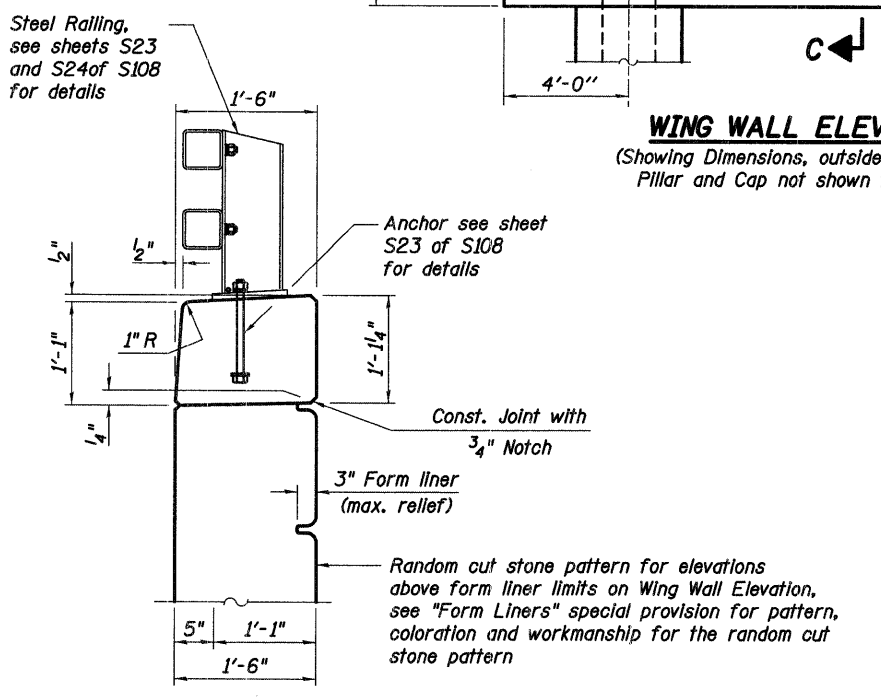
F.A.P. RTE.	SECTION	COUNTY	TOTAL SHEETS	SHEET NO.
361	06-00214-20-BR	KANE	320	141
STA. 511+80.00		TO STA. 609+14.92		
FED. ROAD DIST. NO. 7		ILLINOIS FED. AID PROJECT		
SHEET NO. S36 OF S108				



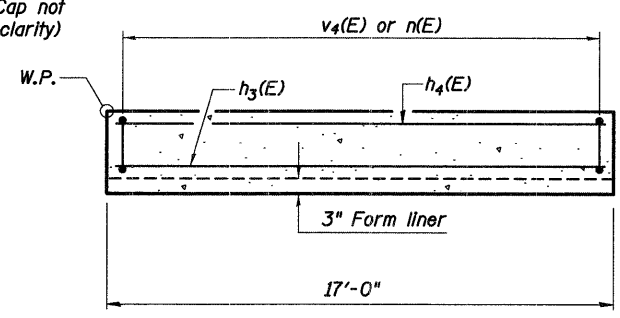
WING WALL ELEVATION
(Showing Dimensions, outside face shown, Pillar and Cap not shown for clarity)



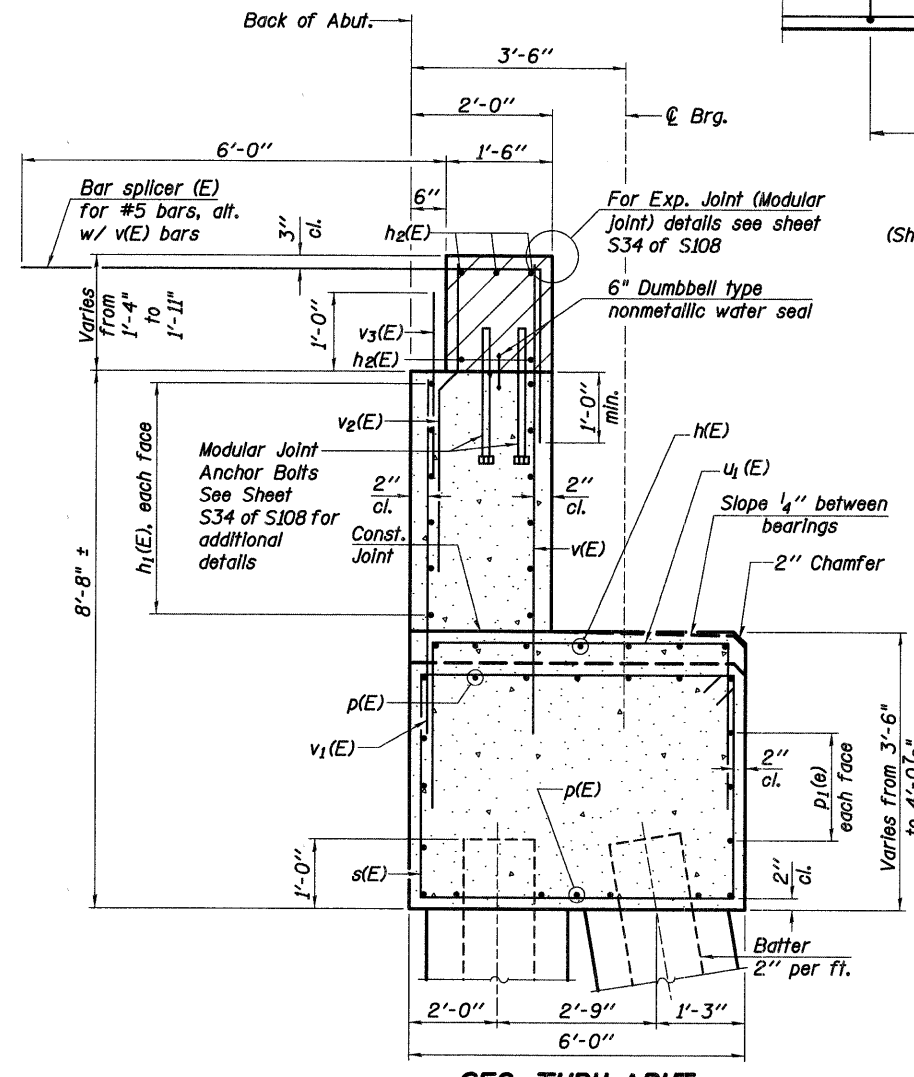
WING WALL ELEVATION
(Showing Reinforcement, outside face shown, Pillar and Cap not shown for clarity)



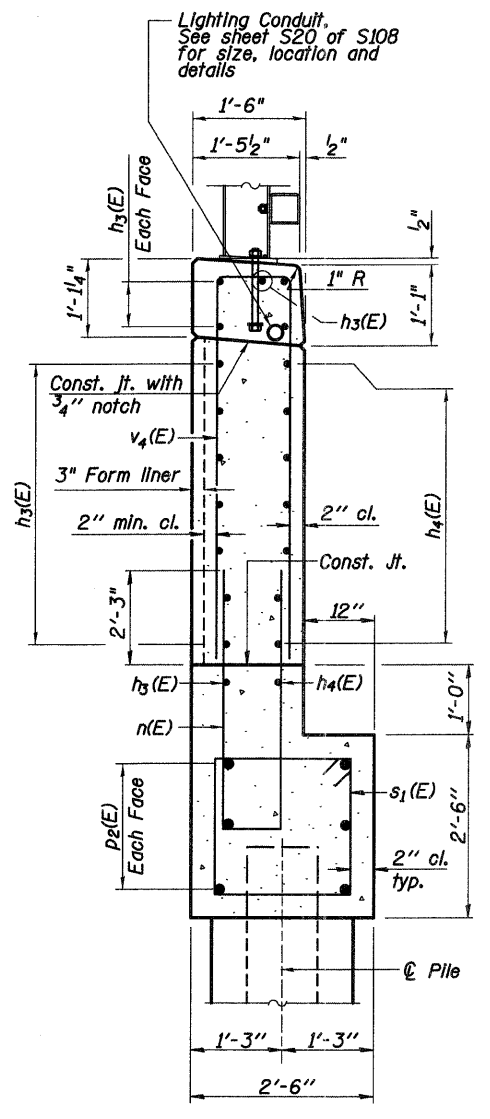
VIEW A-A
(Pillar and Cap not shown for clarity)



SECTION B-B



SEC. THRU ABUT.



SECTION C-C

NOTE:
1. For additional abutment details see sheets S35 and S39 of S108.

REVISIONS	
NAME	DATE

ILLINOIS DEPARTMENT OF TRANSPORTATION
WEST ABUTMENT II
STEARNS ROAD OVER THE FOX RIVER PUBLIC WATERS
STRUCTURE NUMBER 045-3166
KANE COUNTY FAP 361 SECTION 06-00214-20-BR
STATION 571+42.96 DESIGNED: DAP DRAWN: SGW
DATE: JANUARY 16, 2009 CHECKED: KPZ CHECKED: KPZ



P:\10305\3.0 phase II deliverables\3.3 structure drawings\final\045-3166 Abut-2-west2.dgn 3/25/2009