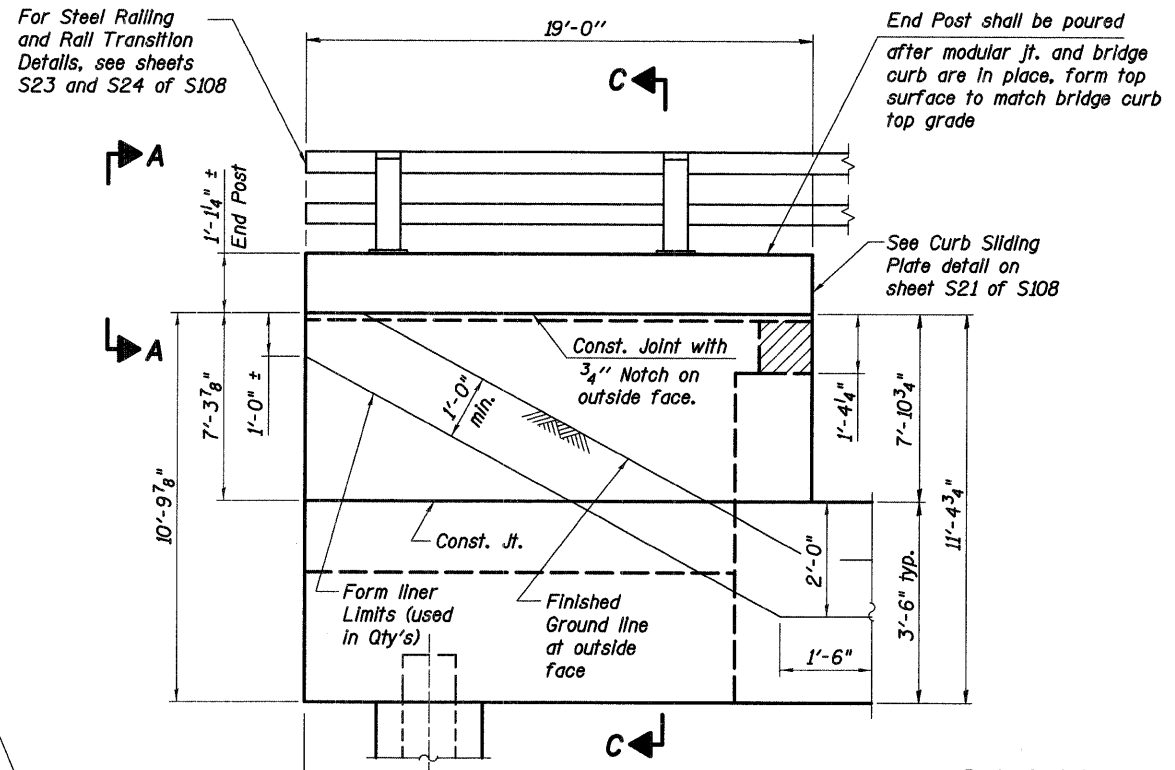
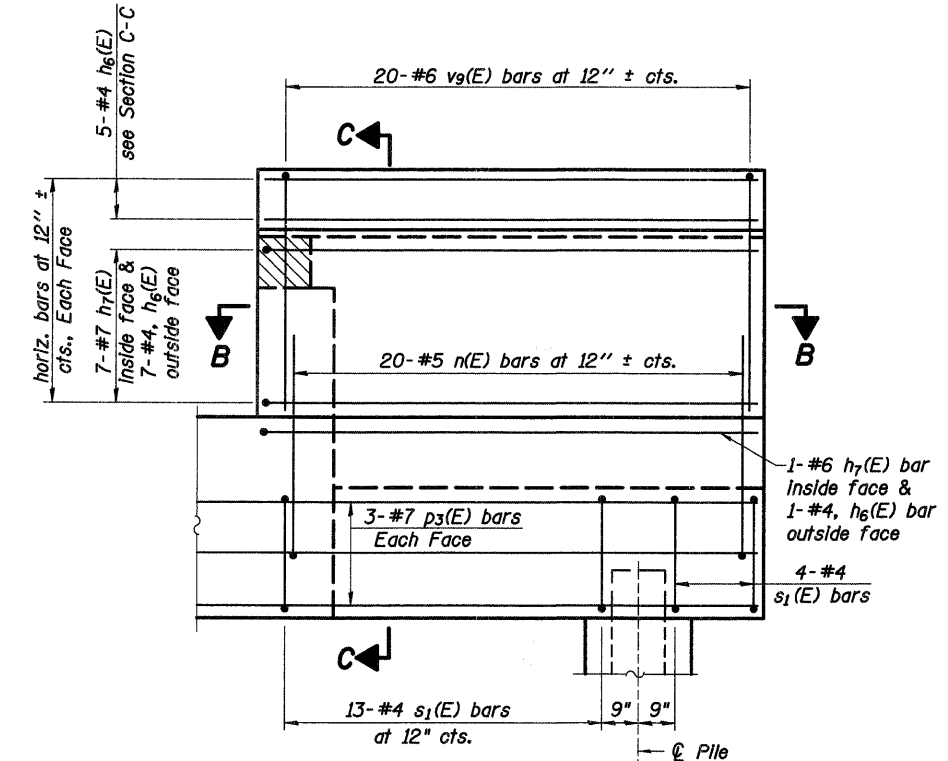


F.A.P. RTE.	SECTION	COUNTY	TOTAL SHEETS	SHEET NO.
361	06-00214-20-BR	KANE	320	143
STA. 511+80.00		TO STA. 609+14.92		
FED. ROAD DIST. NO. 7		ILLINOIS FED. AID PROJECT		
SHEET NO. S38 OF S108				



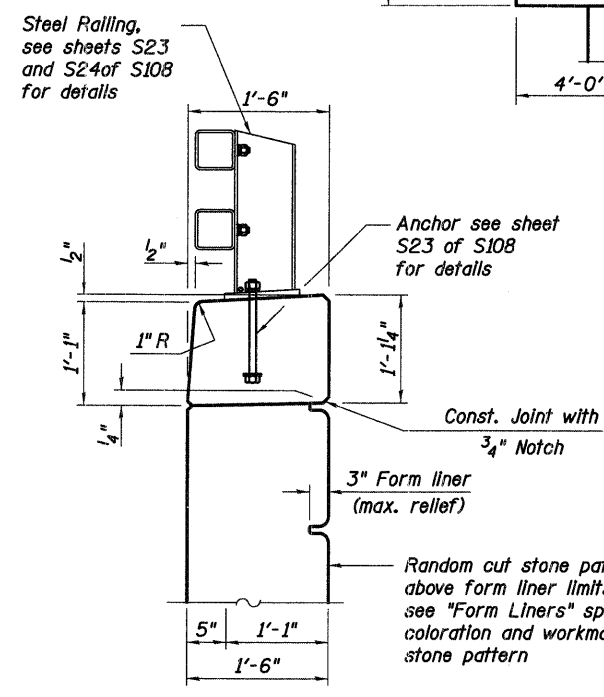
WING WALL ELEVATION

(Showing Dimensions, outside face shown, Pillar and Cap not shown for clarity)



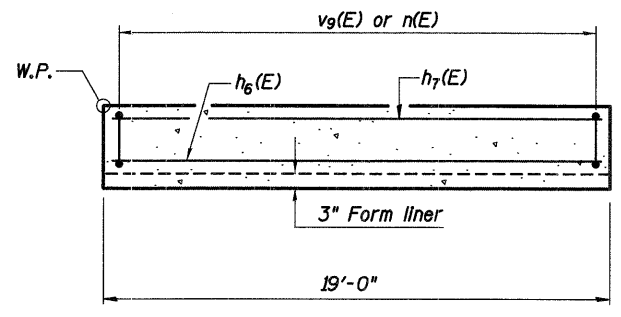
WING WALL ELEVATION

(Showing Reinforcement, outside face shown, Pillar and Cap not shown for clarity)

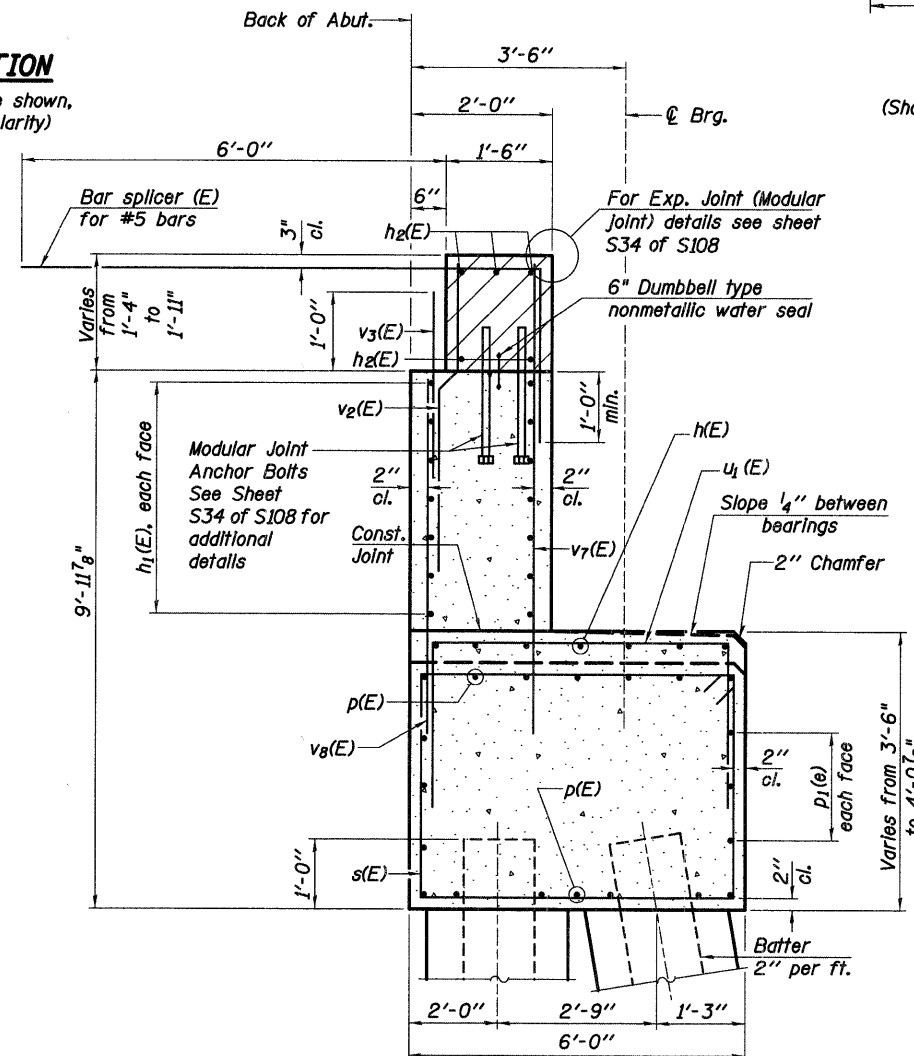


VIEW A-A

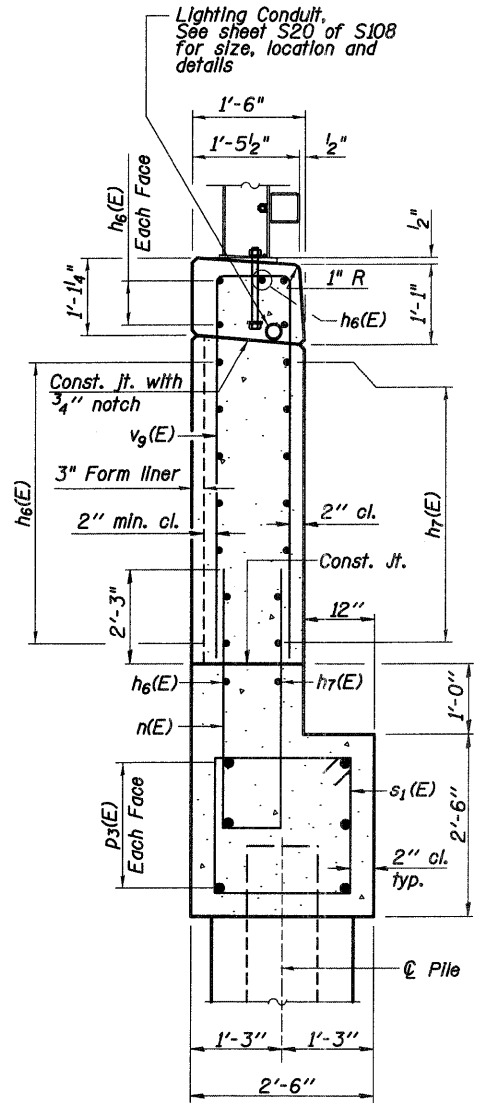
(Pillar and Cap not shown for clarity)



SECTION B-B



SEC. THRU ABUT.



SECTION C-C

NOTE:

- For additional abutment details see sheets S37 and S39 of S108.

REVISIONS	
NAME	DATE

ILLINOIS DEPARTMENT OF TRANSPORTATION
EAST ABUTMENT II
 STEARNS ROAD OVER THE FOX RIVER PUBLIC WATERS
 STRUCTURE NUMBER 045-3166
 KANE COUNTY FAP 361 SECTION 06-00214-20-BR
 STATION 571+42.96 DESIGNED: DAP DRAWN: SGW
 DATE: JANUARY 16, 2009 CHECKED: KPZ CHECKED: KPZ



P:\13005\3.0 phase II deliverables\3.3 structure drawings\drawings\final\045-3166 Abut_4_east2.dgn
 3/25/2009