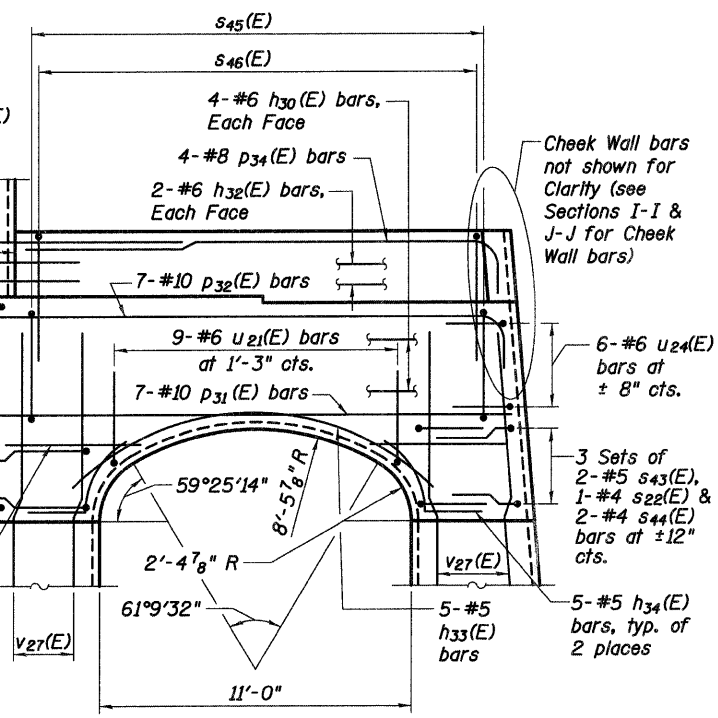
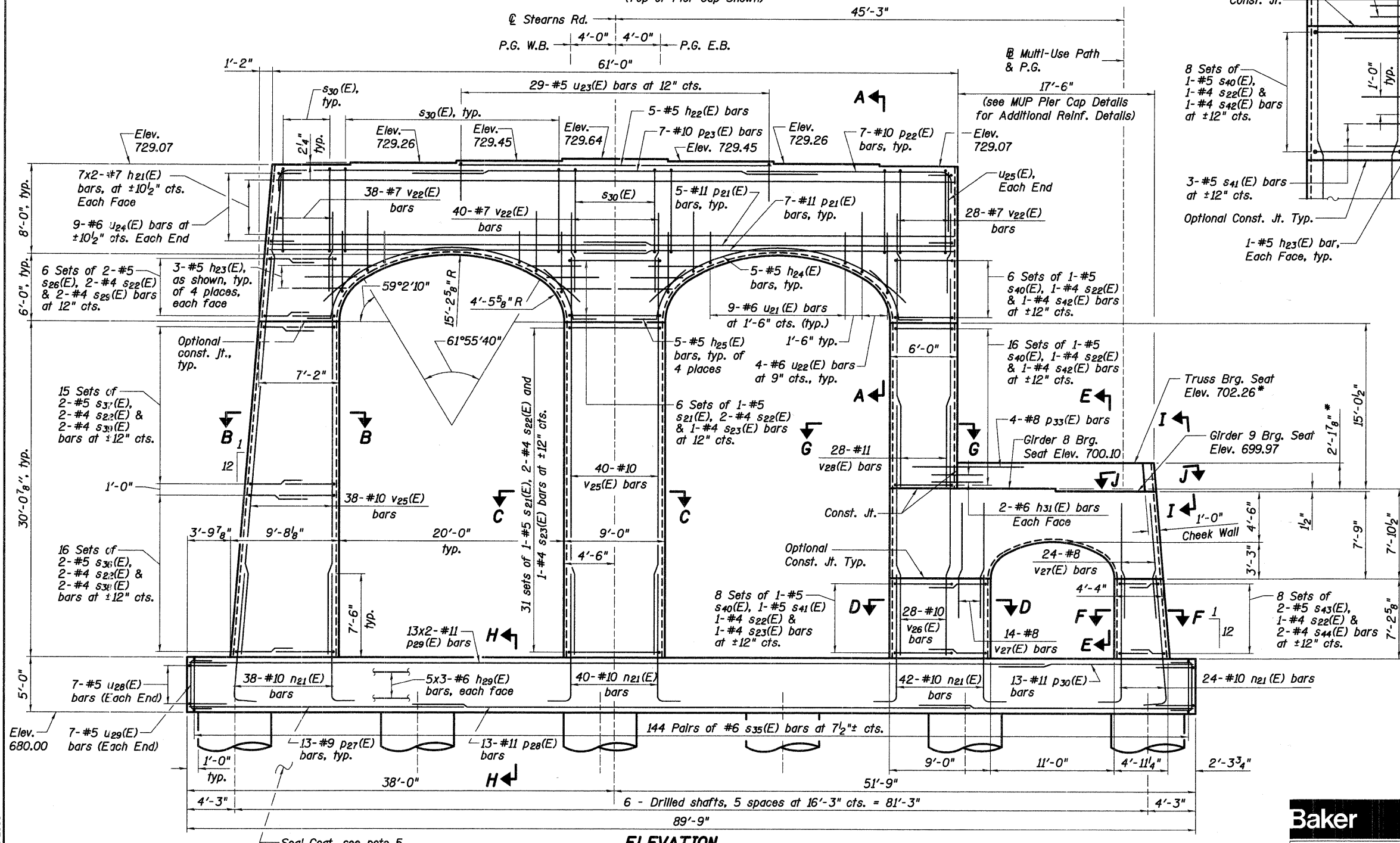
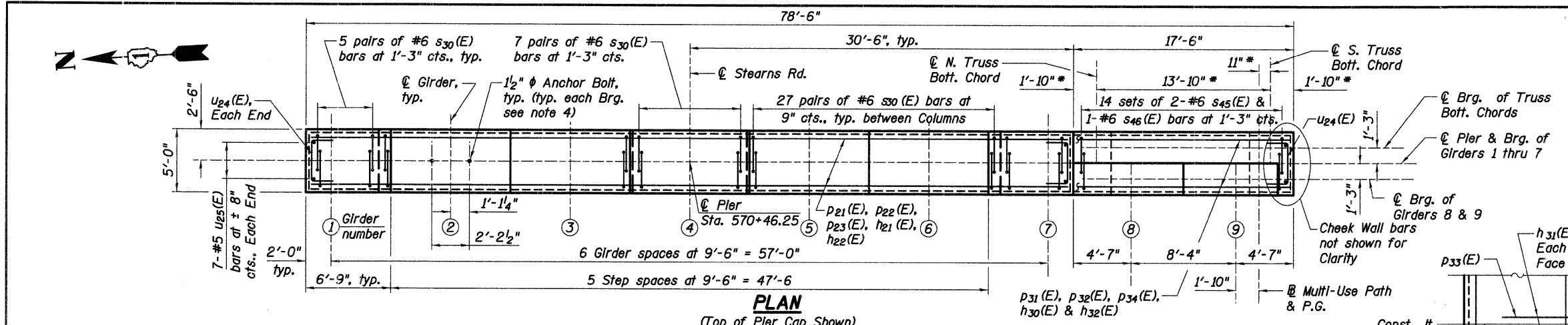


F.A.P. RTE.	SECTION	COUNTY	TOTAL SHEETS	SHEET NO.
361	06-00214-20-BR	KANE	320	147
STA. 511+80.00		TO STA. 609+14.92		
FED. ROAD DIST. NO. 7 ILLINOIS FED. AID PROJECT				
SHEET NO. S42 OF S108				



MUP PIER CAP DETAILS
(MUP Pier cap details shown, see Pier, Plan and Elevation for additional details)

* May vary per Truss manufacturer's design, see "Section B-B" on sheet S60 of S108 and "MUP Bridge Truss Bearing" detail on sheet S69 of S108

- Notes:**
1. Space reinforcement in cap to miss anchor bolts.
 2. Pour steps monolithically with cap.
 3. For additional pier details see sheets S43 and S44 of S108.
 4. For bearing and bearing anchor bolt details see sheets S31 of S108.
 5. For form liner, cofferdam and seal coat details see sheet S51 of S108.
 6. Bars indicated thus 3x2-#5 etc. indicates 3 lines of bars with 2 lengths per line.
 7. Concrete Sealer shall be applied to the MUP Bridge bearing seat as well as above elevation 697.00 on all sides of the MUP Pier Cap.

REVISIONS	
NAME	DATE

ILLINOIS DEPARTMENT OF TRANSPORTATION
PIER 2 DETAILS I
STEARNS ROAD OVER THE FOX RIVER PUBLIC WATER
STRUCTURE NUMBER 045-3166
KANE COUNTY FAP 361 SECTION 06-00214-20-BR
STATION 571+42.96 DESIGNED: DAP DRAWN: SGW
DATE: JANUARY 16, 2009 CHECKED: KPZ CHECKED: KPZ



H:\13005\3.0 Phase II deliverables\3.3 structure\Drawings\Final\045-3166 Pier-2 Details I.dgn 2/9/2009