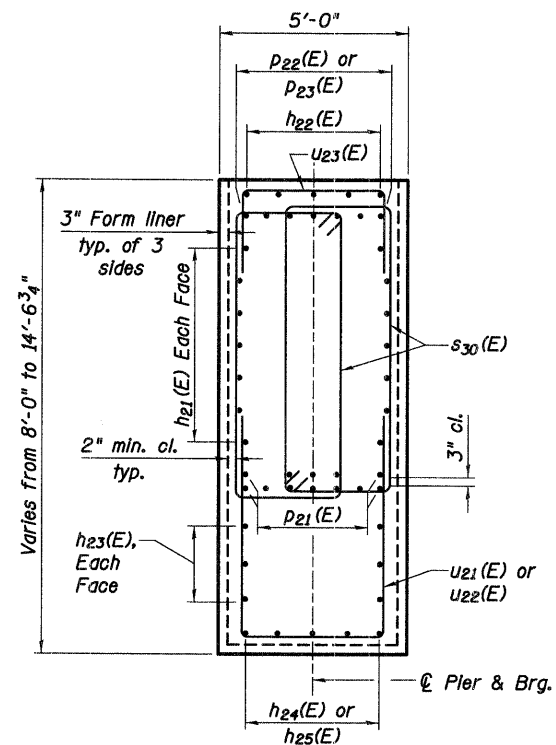
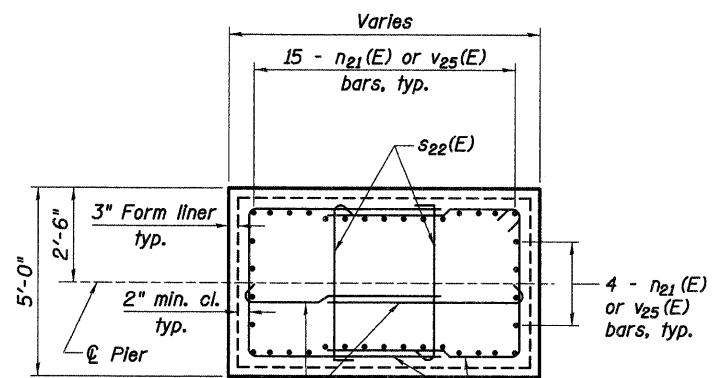


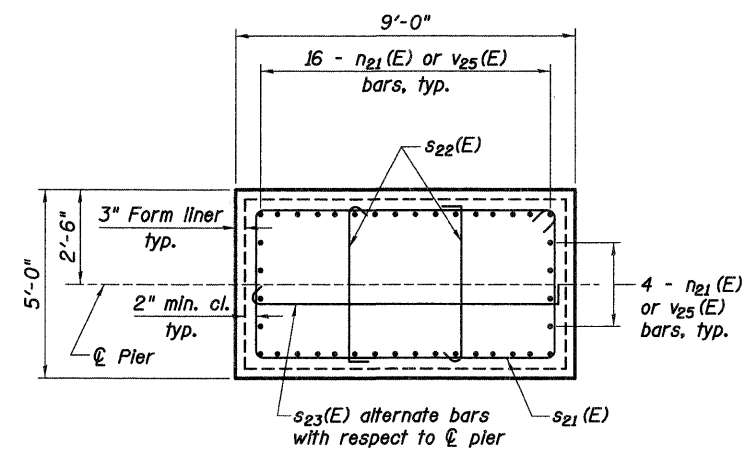
F.A.P. RTE.	SECTION	COUNTY	TOTAL SHEETS	SHEET NO.
361	06-00214-20-BR	KANE	320	148
STA. 511+80.00		TO STA. 609+14.92		
FED. ROAD DIST. NO. 7		ILLINOIS FED. AID PROJECT		
SHEET NO. S43 OF S108				



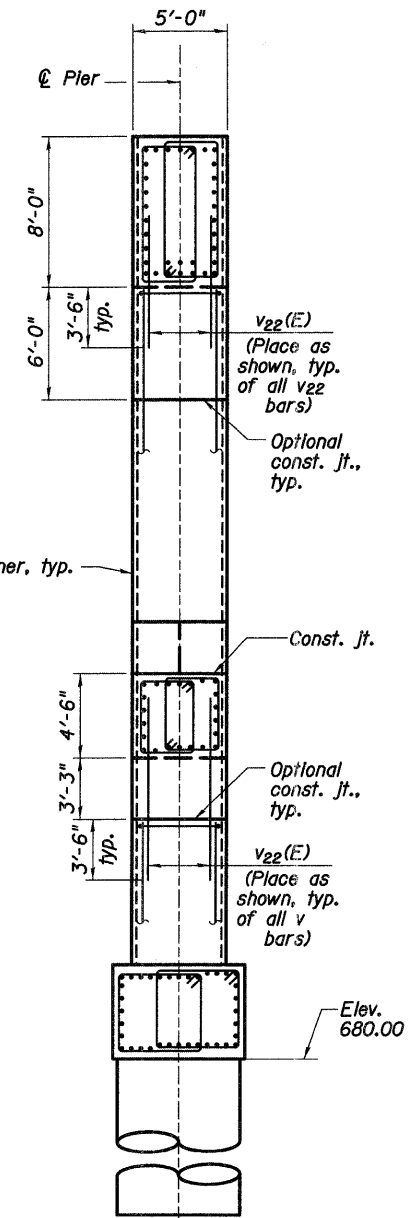
SECTION A-A



SECTION B-B

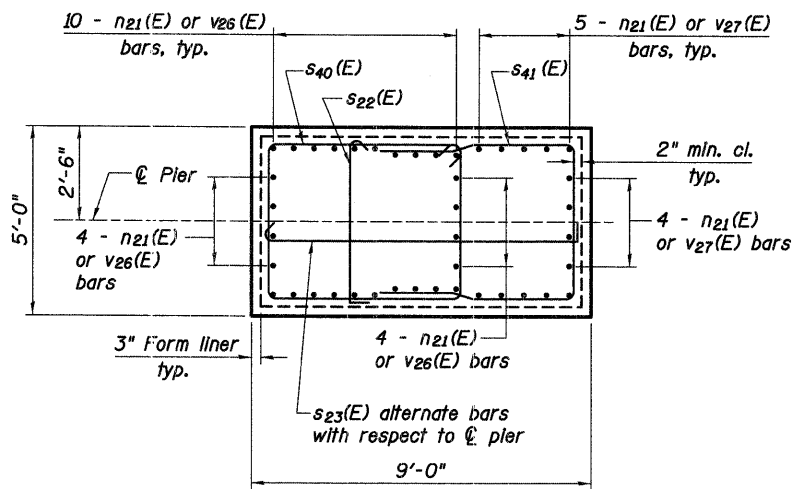


SECTION C-C

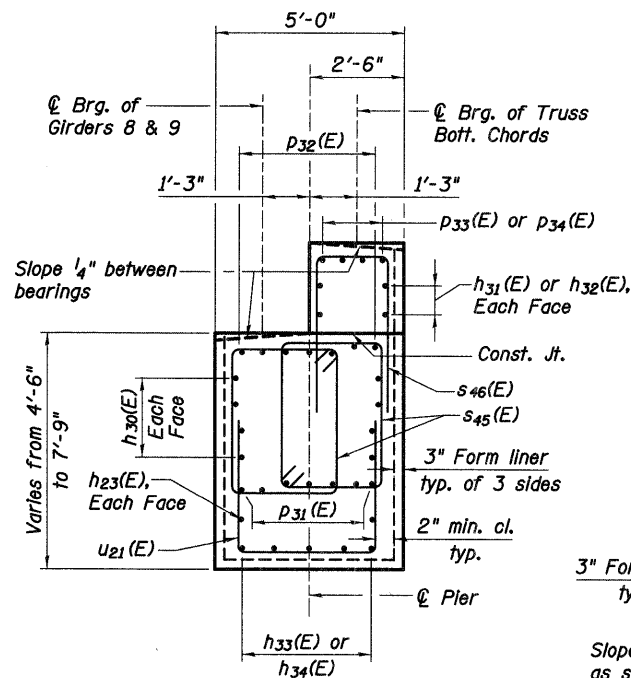


END VIEW

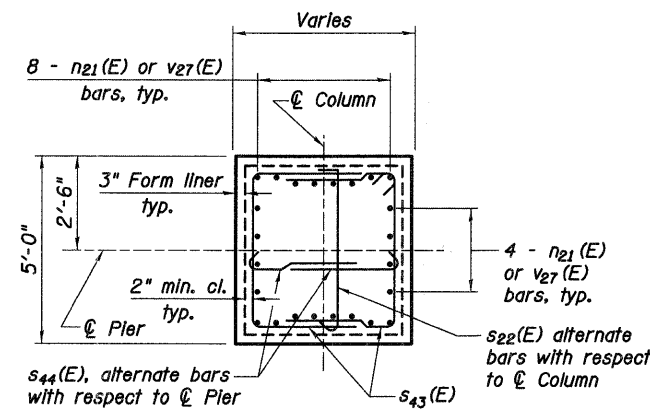
(Looking North, some bars are not shown for clarity)



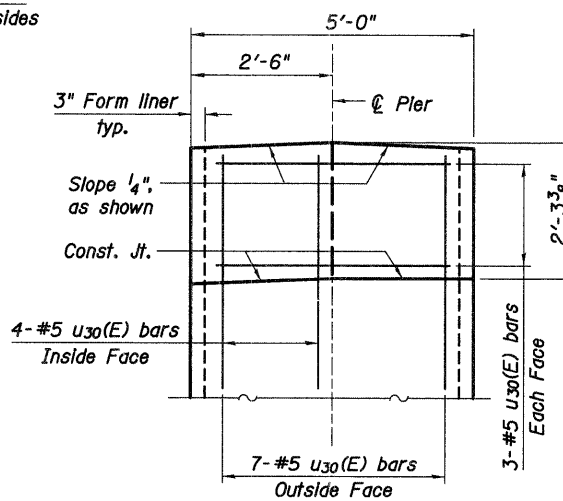
SECTION D-D



SECTION E-E

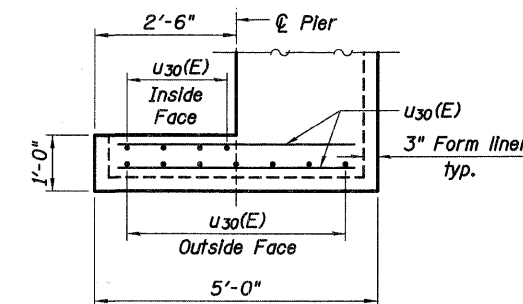


SECTION F-F



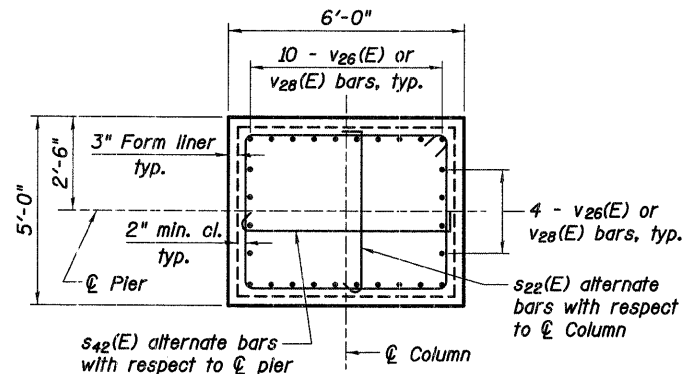
SECTION I-I

(Cheek wall elevation shown, MUP Pier cap details not shown for clarity)

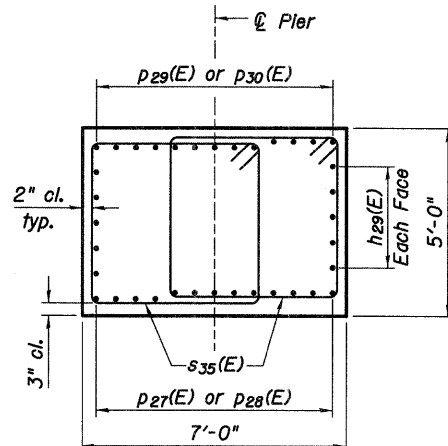


SECTION J-J

(Cheek wall section shown, MUP Pier cap details not shown for clarity)



SECTION G-G



SECTION H-H

Notes:

- For additional pier details see sheets S42 and S44 of S108.

REVISIONS	
NAME	DATE

ILLINOIS DEPARTMENT OF TRANSPORTATION

PIER 2 DETAILS II

STEARNS ROAD
OVER THE FOX RIVER
STRUCTURE NUMBER 045-3166
KANE COUNTY
STATION 571+42.96
DATE: JANUARY 16, 2009

PUBLIC
WATERS
DESIGNED: DAP
DRAWN: SGW
CHECKED: KPZ

Baker

Baker Engineering, Inc.