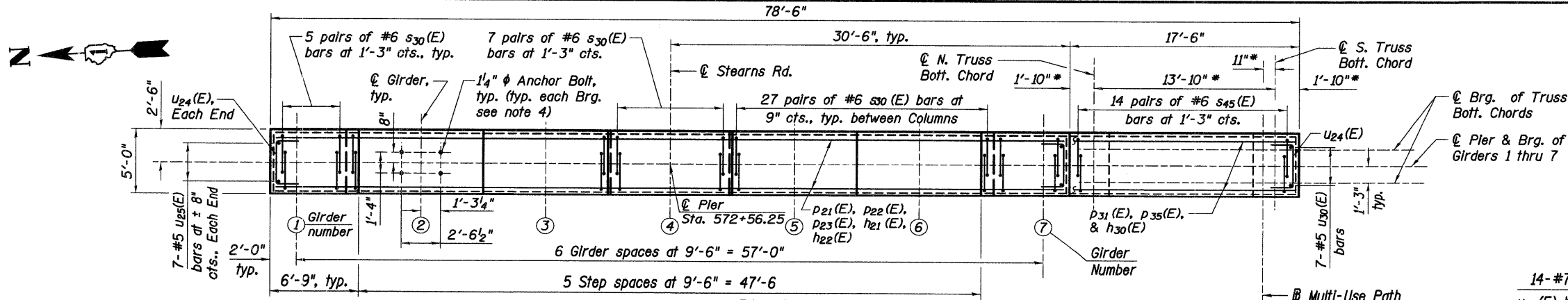
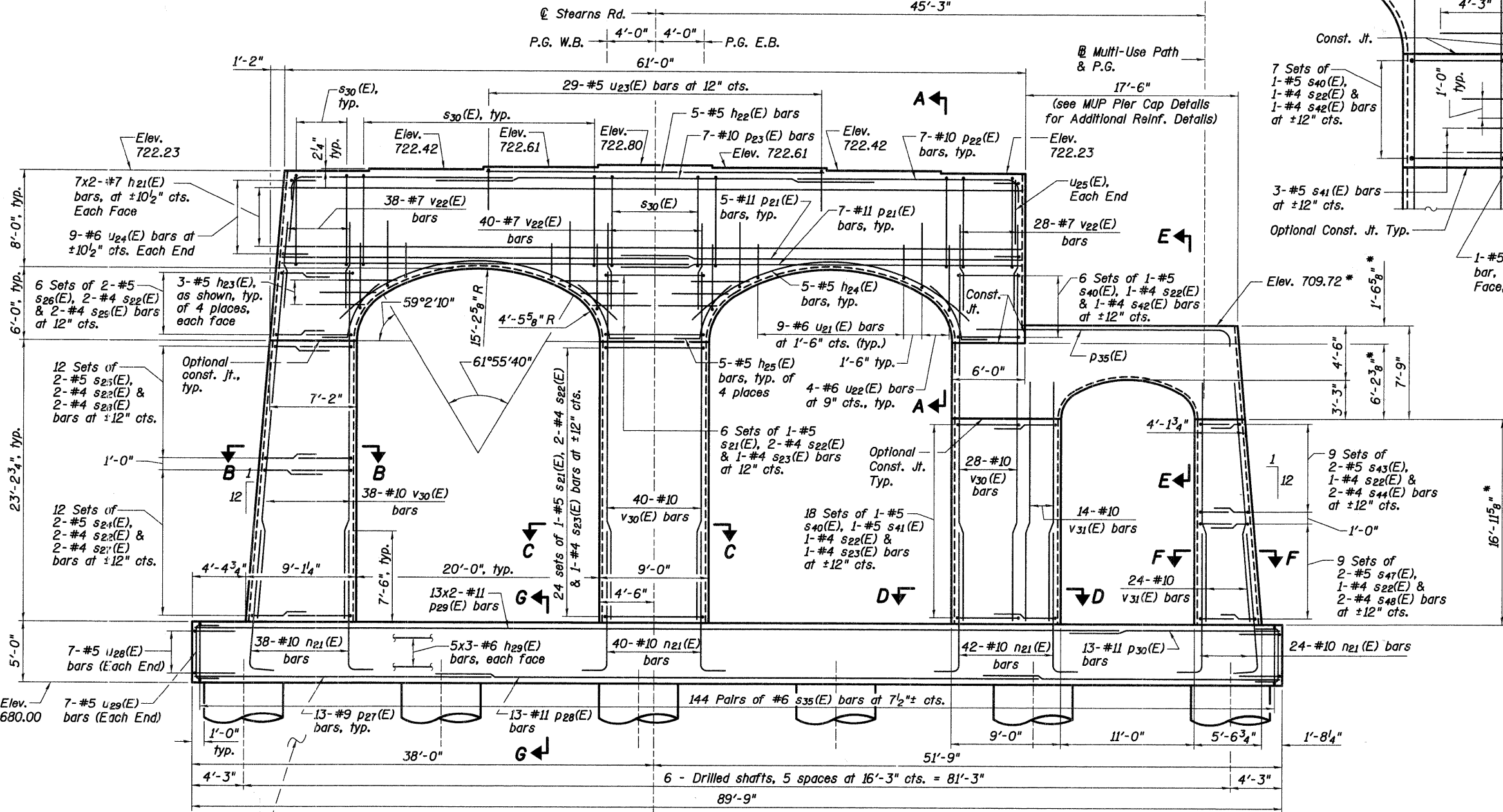


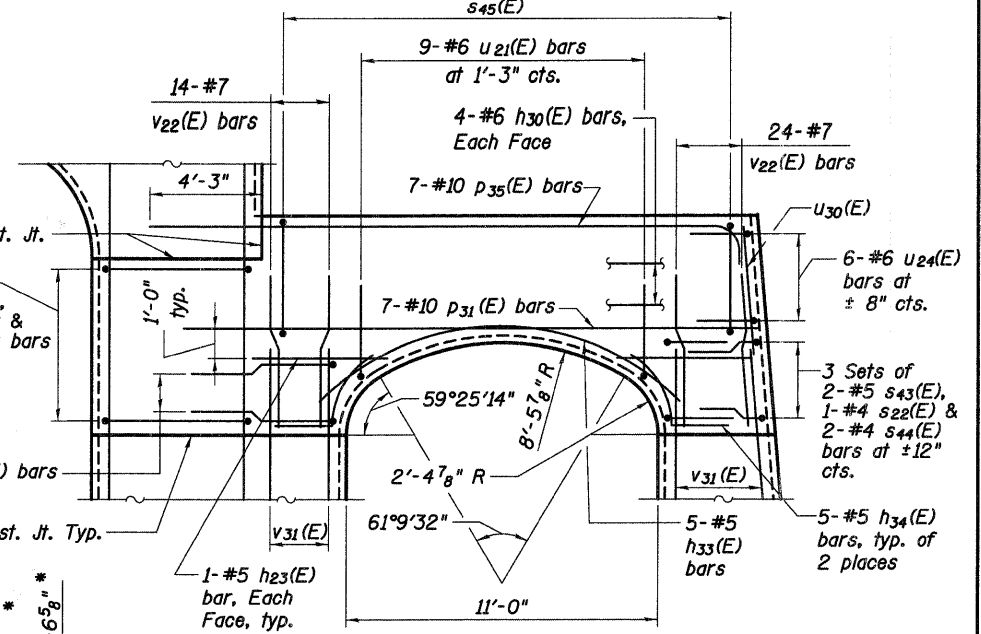
F.A.P. RTE.	SECTION	COUNTY	TOTAL SHEETS	SHEET NO.
361	06-00214-20-BR	KANE	3	320
STA. 511+80.00	TO STA. 609+14.92			
FED. ROAD DIST. NO. 7	ILLINOIS	FED. AID PROJECT		
			SHEET NO. S45	OF S108



**PLAN**  
(Top of Pier Cap Shown)



**ELEVATION**



**MUP PIER CAP DETAILS**

(MUP Pier cap details shown, see Pier, Plan and Elevation for additional details)

\* May vary per Truss manufacturer's design, see "Section B-B" on sheet S60 of S108 and "MUP Bridge Truss Bearing" detail on sheet S69 of S108

**Notes:**

1. Space reinforcement in cap to miss anchor bolts.
2. Pour steps monolithically with cap.
3. For additional pier details, see sheets S46 and S47 of S108.
4. For bearing and bearing anchor bolt details see sheets S31 and S33 of S108.
5. For form liner, cofferdam and seal coat details see sheet S51 of S108.
6. Bars indicated thus 3x2-#5 etc. indicates 3 lines of bars with 2 lengths per line.
7. Concrete Sealer shall be applied to the MUP Bridge bearing seat as well as above elevation 706.50 on all sides of the MUP Pier Cap.

REVISIONS	
NAME	DATE

ILLINOIS DEPARTMENT OF TRANSPORTATION  
**PIER 3 DETAILS I**  
STEARNS ROAD  
OVER THE FOX RIVER  
STRUCTURE NUMBER 045-3166  
PUBLIC WATERS  
KANE COUNTY  
FAP 361 SECTION 06-00214-20-BR  
STATION 571+42.96  
DESIGNED: DAP  
DRAWN: SCW  
DATE: JANUARY 16, 2009  
CHECKED: KPZ  
CHECKED: KPZ

