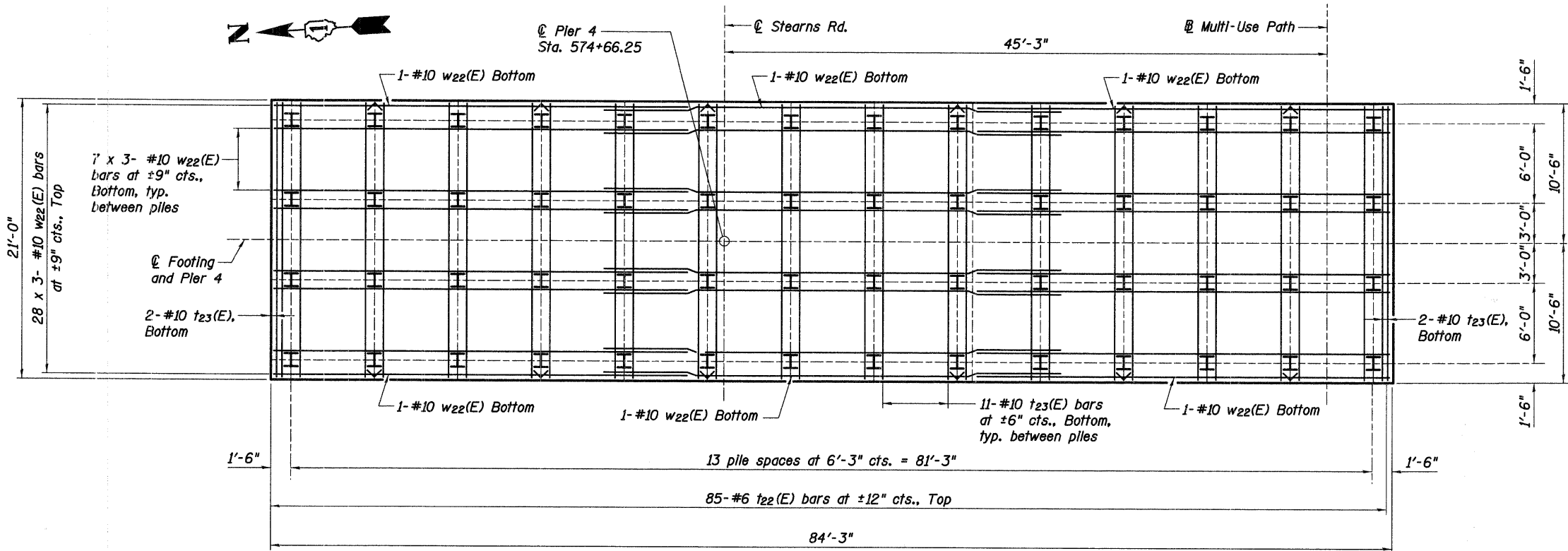


F.A.P. RTE.	SECTION	COUNTY	TOTAL SHEETS	SHEET NO.
361	06-00214-20-BR	KANE	320	154
STA. 511+80.00		TO STA. 609+14.92		
FED. ROAD DIST. NO. 7		ILLINOIS FED. AID PROJECT		
SHEET NO. S49 OF S108				

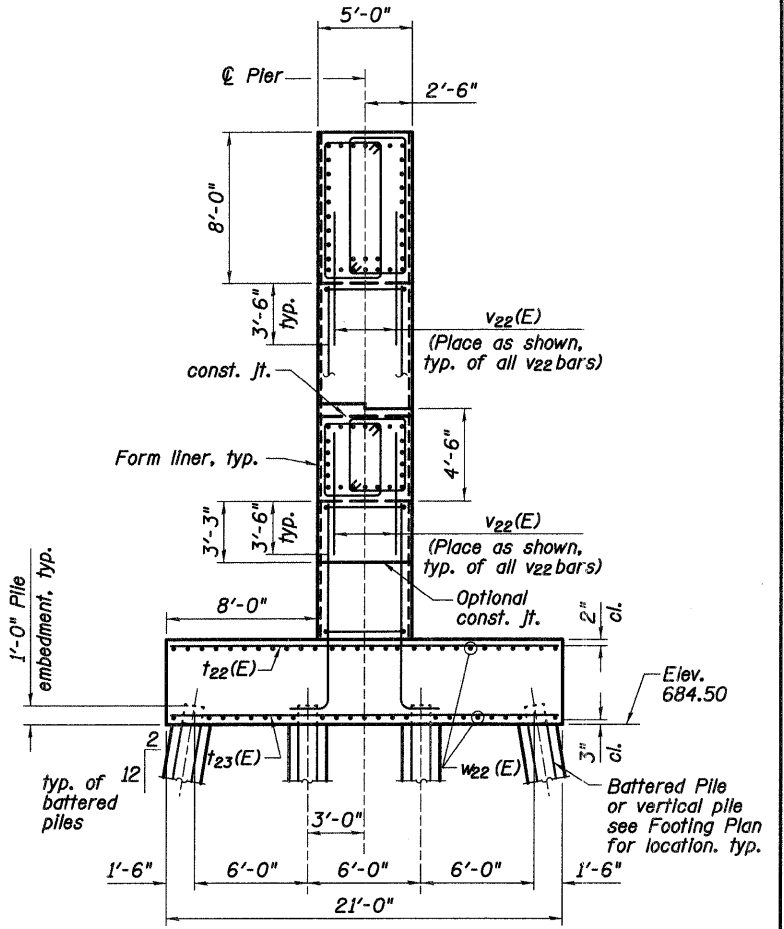
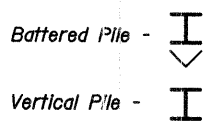


FOOTING PLAN

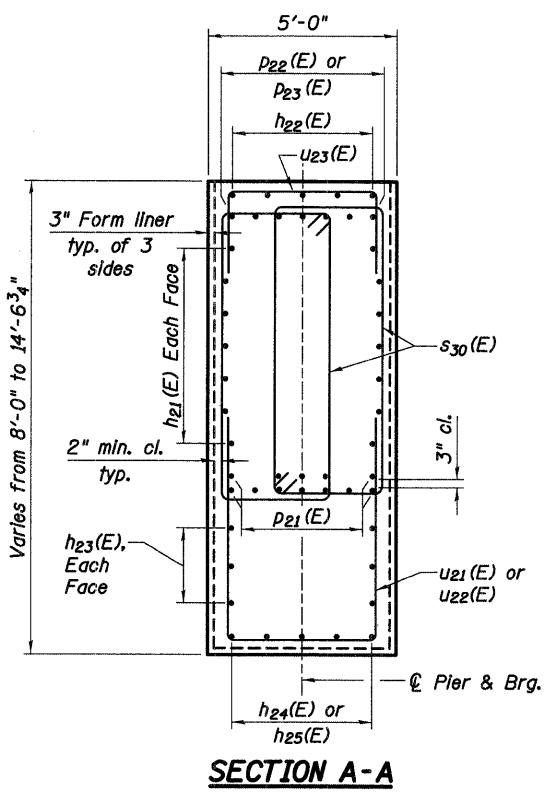
PIER 4 PILE DATA

Type: HF 12x74
 Nominal Required Bearing: 376 kips
 Factored Resistance Available: 180 kips
 Est. Length: 28 ft.
 No. Production Piles: 55
 No. Test Piles: 1

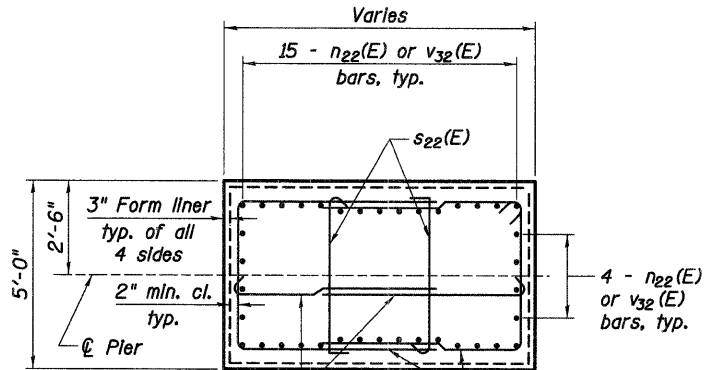
The contractor shall limit the pile hammer size selected considering the relatively high soil strengths indicated in the borings and avoid overdriving the piles beyond their nominal required bearing to prevent pile damage during driving.



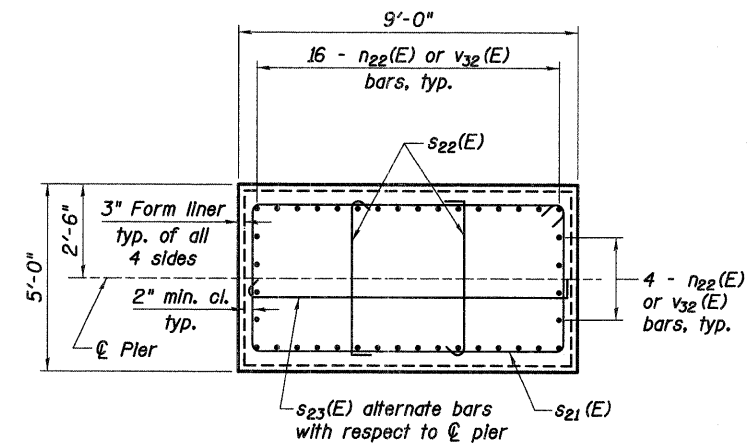
END VIEW
(Looking North)



SECTION A-A



SECTION B-B



SECTION C-C

- Notes:**
1. Bars indicated thus 28 x 2-#5 etc. indicates 28 lines of bars with 2 lengths per line.
 2. For plan, elevation and sections, see sheets S48 and S50 of S108.
 3. For details of piles, see sheet S52 of S108.

REVISIONS	
NAME	DATE

ILLINOIS DEPARTMENT OF TRANSPORTATION
PIER 4 DETAILS II
 STEARNS ROAD OVER THE FOX RIVER PUBLIC WATERS
 STRUCTURE NUMBER 045-3166
 KANE COUNTY FAP 361 SECTION 06-00214-20-BR
 STATION 571+42.96 DESIGNED: DAP DRAWN: SCW
 DATE: JANUARY 16, 2009 CHECKED: KPZ CHECKED: KPZ



H:\30005\3.0 Phase II deliverables\3.3 structure\Drawings\Final\045-3166 Pier_4 Details II.dgn 1/15/2009