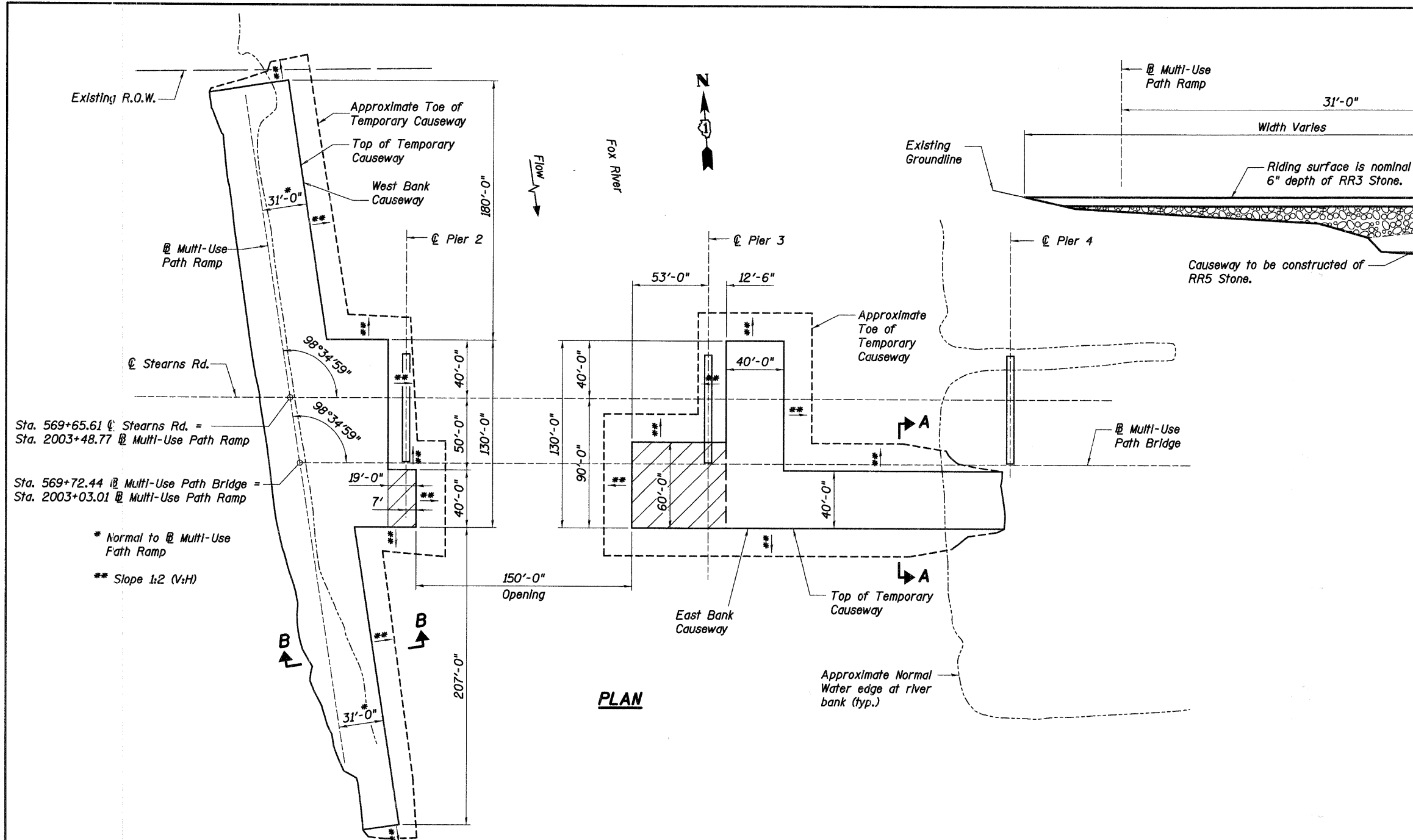


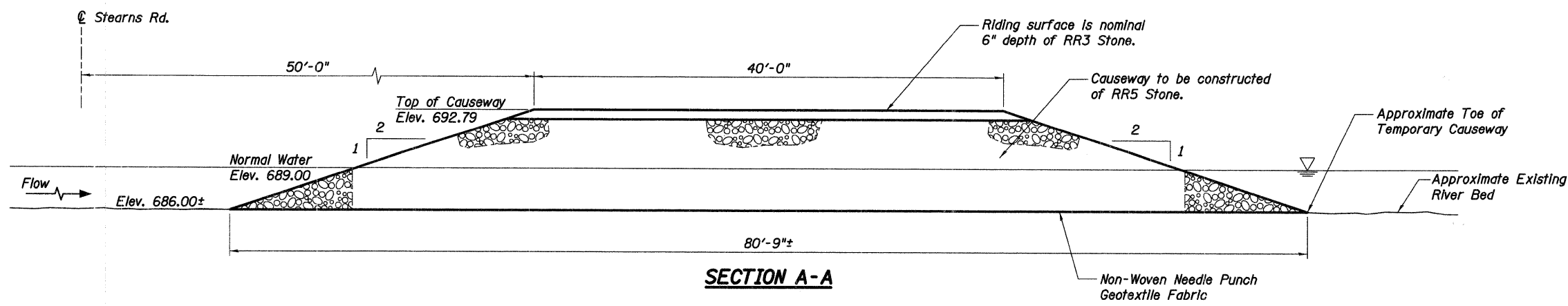
F.A.P. RTE.	SECTION	COUNTY	TOTAL SHEETS	SHEET NO.
361	06-00214-20-BR	KANE	320	158
STA. 511+80.00		TO STA. 609+14.92		
FED. ROAD DIST. NO. 7		ILLINOIS FED. AID PROJECT		
SHEET NO. S53 OF S108				



Legend:

Segment A as per Contingency Plan in the Temporary Causeway Special Provision

- Notes:**
1. Plan View Dimensions are normal or parallel to @ Stearns Rd. unless otherwise noted.
 2. An above grade concrete washout area shall be constructed and clearly marked in a location near the causeway where trucks and other construction equipment can be cleaned. Grout or concrete shall not be dumped onto the causeway at any time.



REVISIONS	
NAME	DATE

ILLINOIS DEPARTMENT OF TRANSPORTATION

TEMPORARY CAUSEWAY

STEARNS ROAD
OVER THE FOX RIVER
STRUCTURE NUMBER 045-3166
PUBLIC WATERS

KANE COUNTY
STATION 571+42.96
DATE: JANUARY 16, 2009

FAP 361 SECTION 06-00214-20-BR
DESIGNED: GWG
DRAWN: SGW
CHECKED: KPZ

h:\3005\3.0 phase 11 deliverables\3.3 structure\drawings\Final\045-3166 Causeway.dgn 1/5/2009