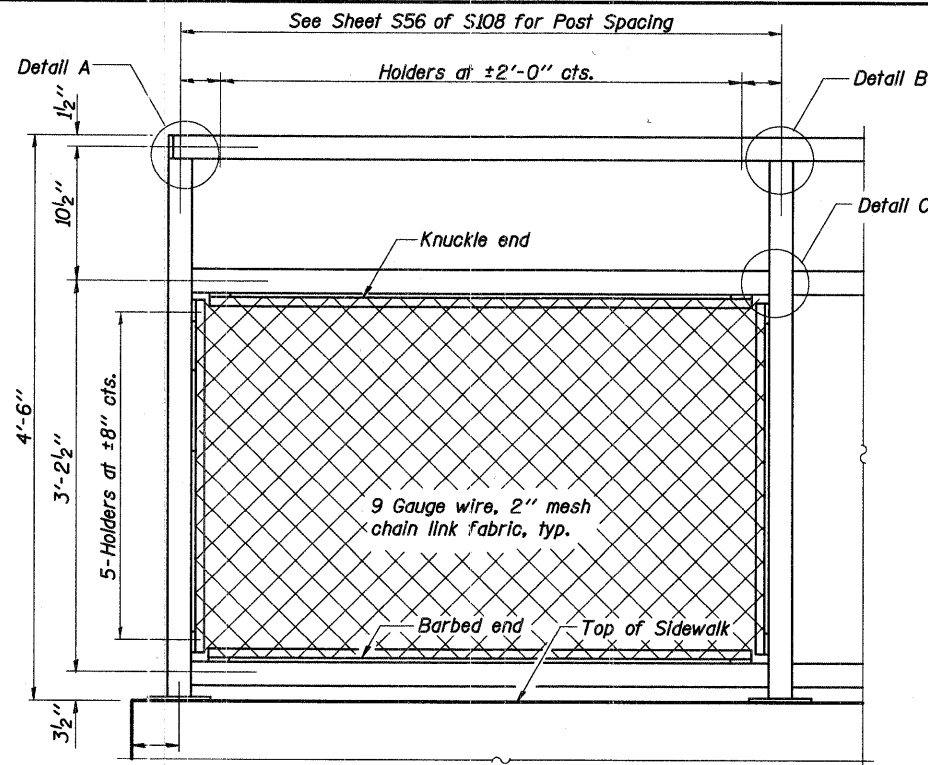
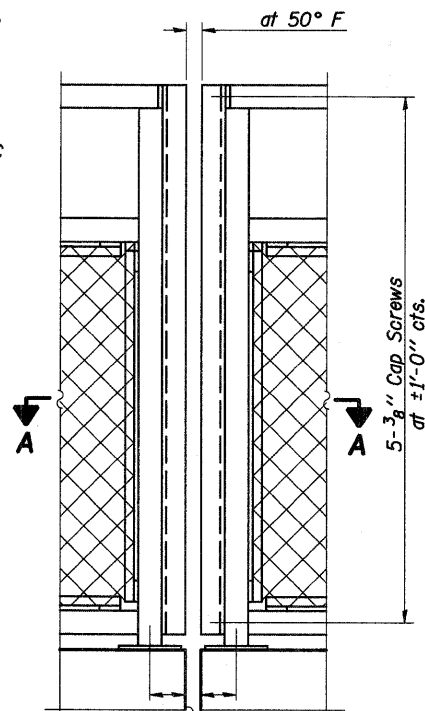


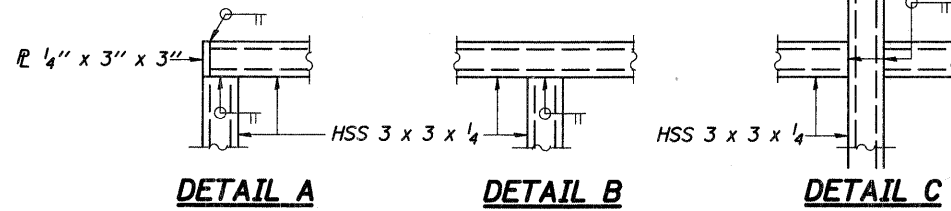
F.A.P. RTE.	SECTION	COUNTY	TOTAL SHEETS	SHEET NO.
361	06-00214-20-BR	KANE	320	162
STA. 511+80.00		TO STA. 609+14.92		
FED. ROAD DIST. NO. 7		ILLINOIS FED. AID PROJECT		
SHEET NO. S57 OF S108				



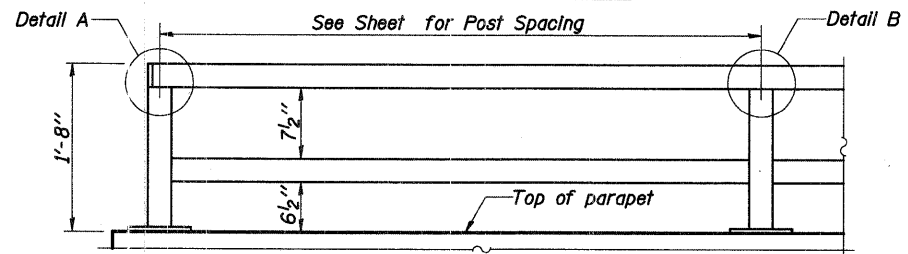
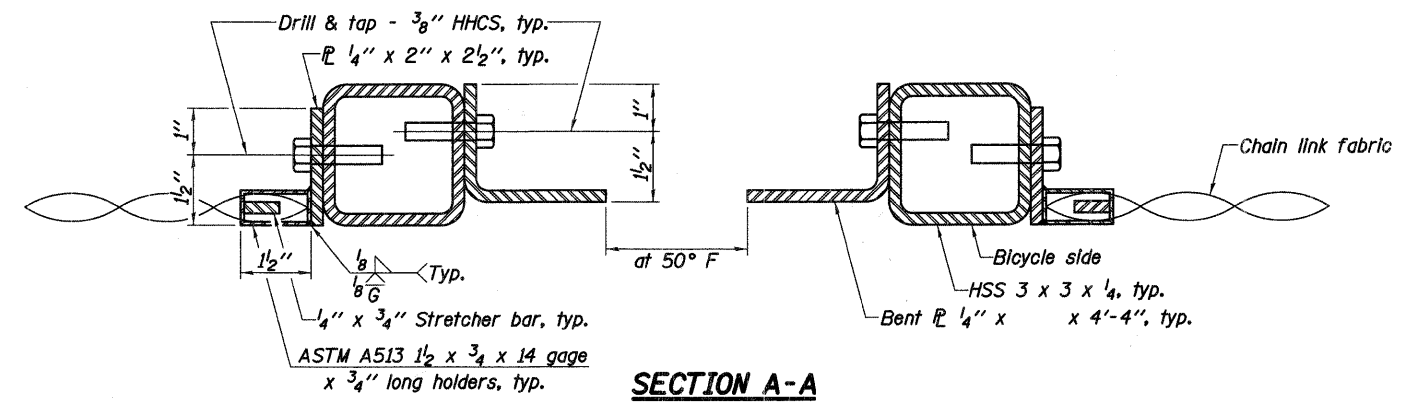
BICYCLE RAILING



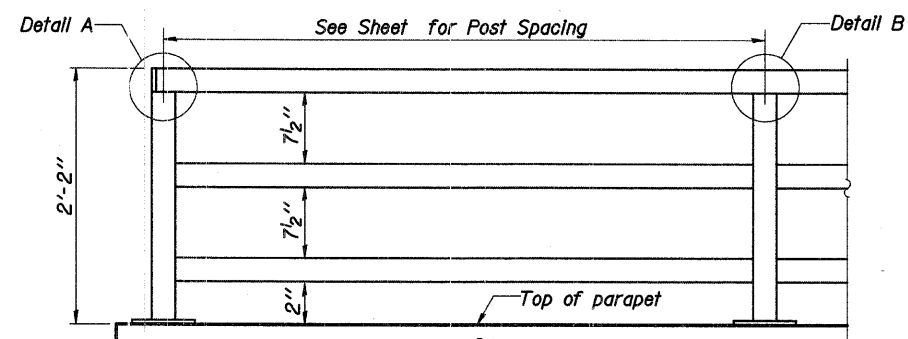
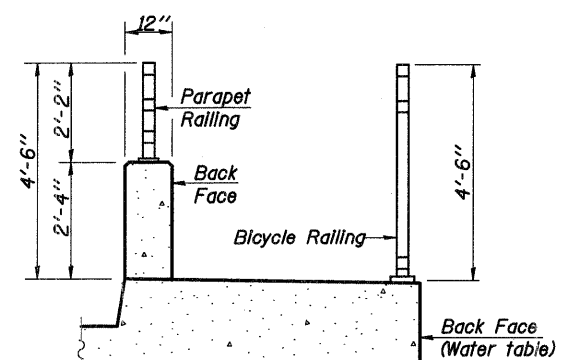
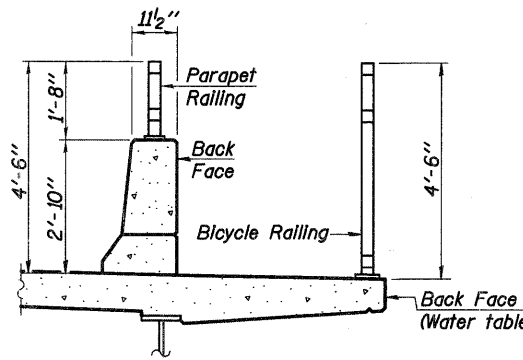
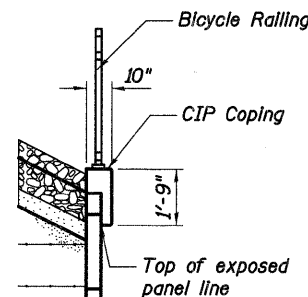
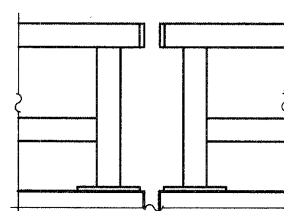
BICYCLE RAILING



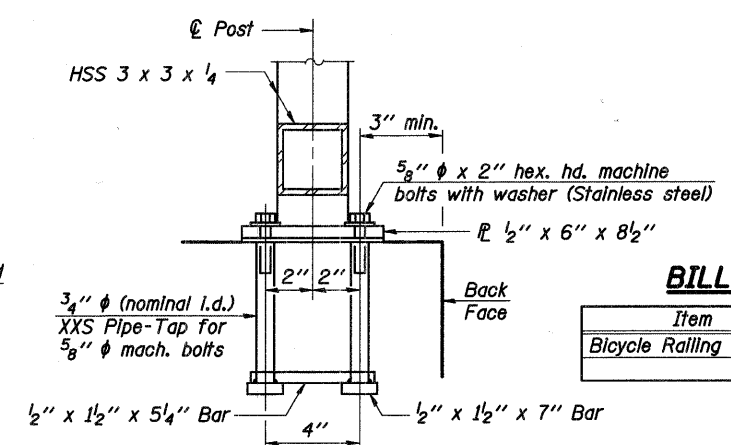
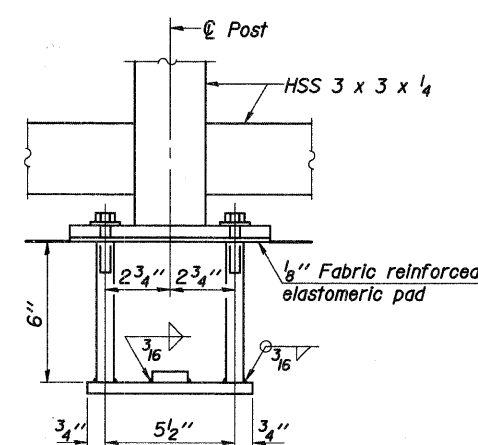
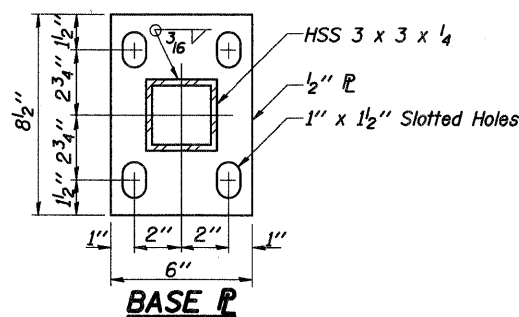
All post, railing, splices, anchor devices, and bent plates shall be painted using the Inorganic Zinc Rich Primer / Acrylic / Acrylic Paint System. The finish coat shall be Federal Standard 595B, color #14062; submit paint chips to the Engineer for approval prior to ordering any finish coat material"



PARAPET RAILING ELEVATION
(Inside Face of Two Element Rail)

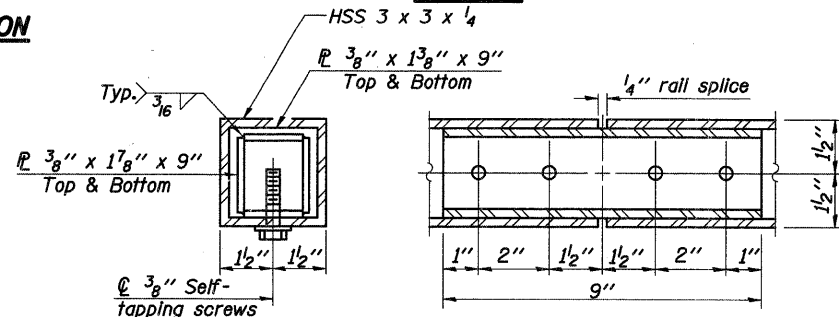


PARAPET RAILING ELEVATION
(Inside Face of Three Element Rail)



BILL OF MATERIAL

Item	Unit	Quantity
Bicycle Railing	Foot	156



In lieu of the cast-in-place anchor device shown, the Contractor has the option of drilling and setting 5/8" φ anchor rods according to Article 509.06 of the Standard Specifications. Embedment shall be according to the manufacturer's specifications.

REVISIONS	
NAME	DATE

ILLINOIS DEPARTMENT OF TRANSPORTATION

MSE WALL 1 - BICYCLE RAILING

STEARNS ROAD OVER THE FOX RIVER PUBLIC WATERS

STRUCTURE NUMBER 045-3166

KANE COUNTY FAP 361 SECTION 06-00214-20-BR

STATION 571+42.96 DESIGNED: DFM DRAWN: SGW

DATE: JANUARY 16, 2009 CHECKED: KPZ CHECKED: KPZ

Baker

Baker Engineering, Inc.