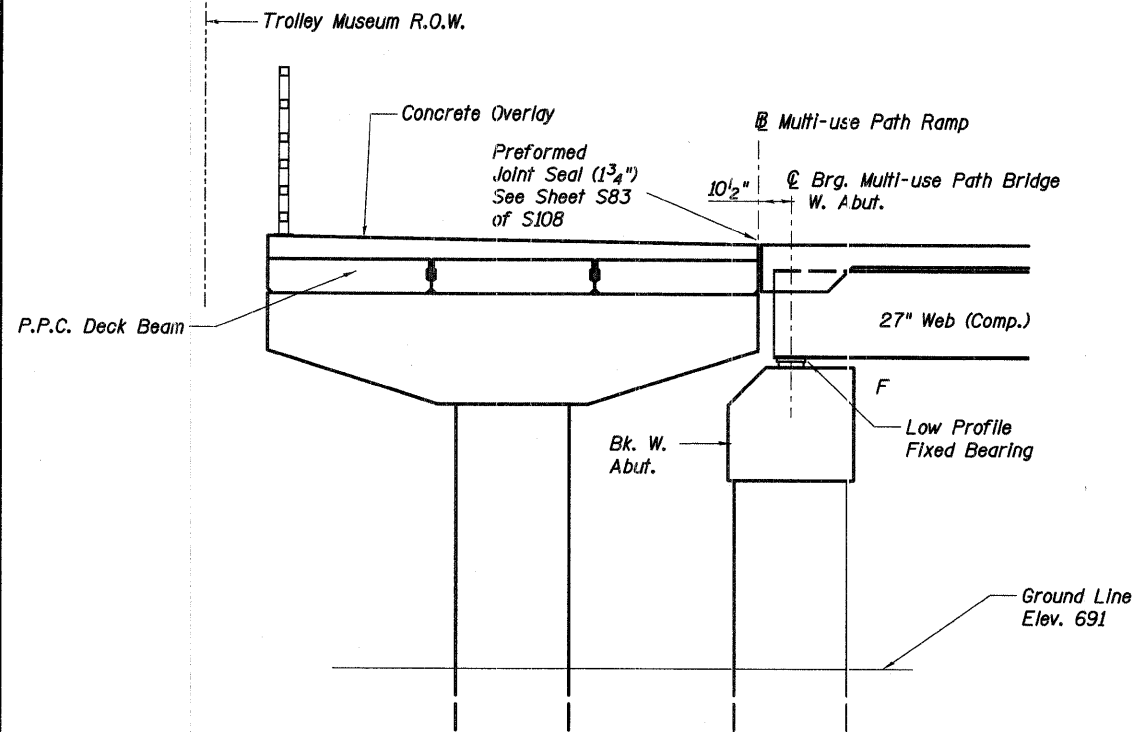
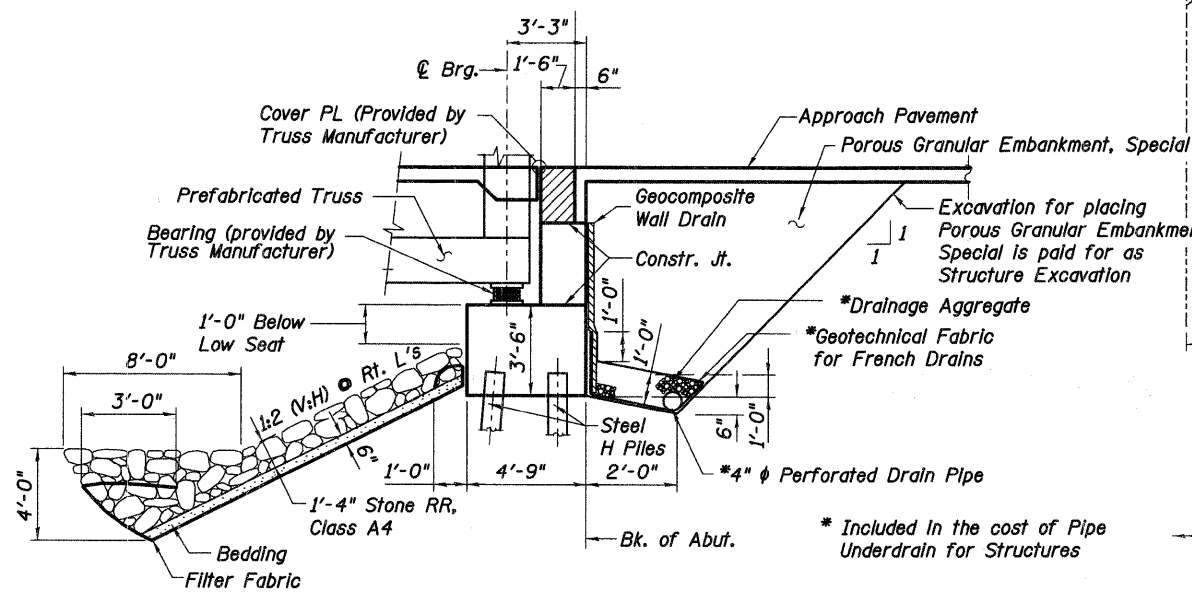


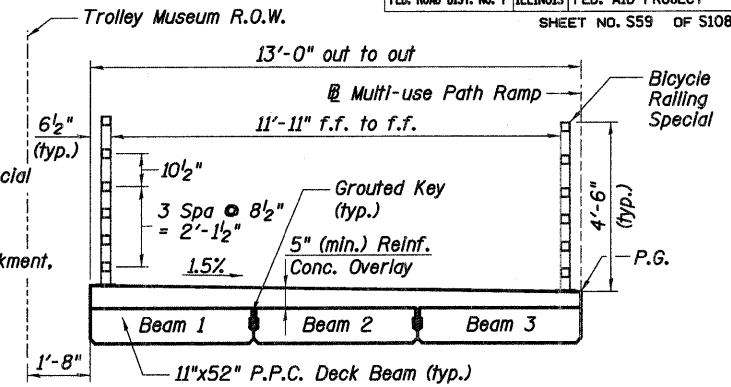
F.A.P. RTE.	SECTION	COUNTY	TOTAL SHEETS	SHEET NO.
361	06-00214-20-BR	KANE	320	164
STA. 511+80.00		TO STA. 609+14.92		
FED. ROAD DIST. NO. 7		ILLINOIS FED. AID PROJECT		
SHEET NO. S59 OF S108				



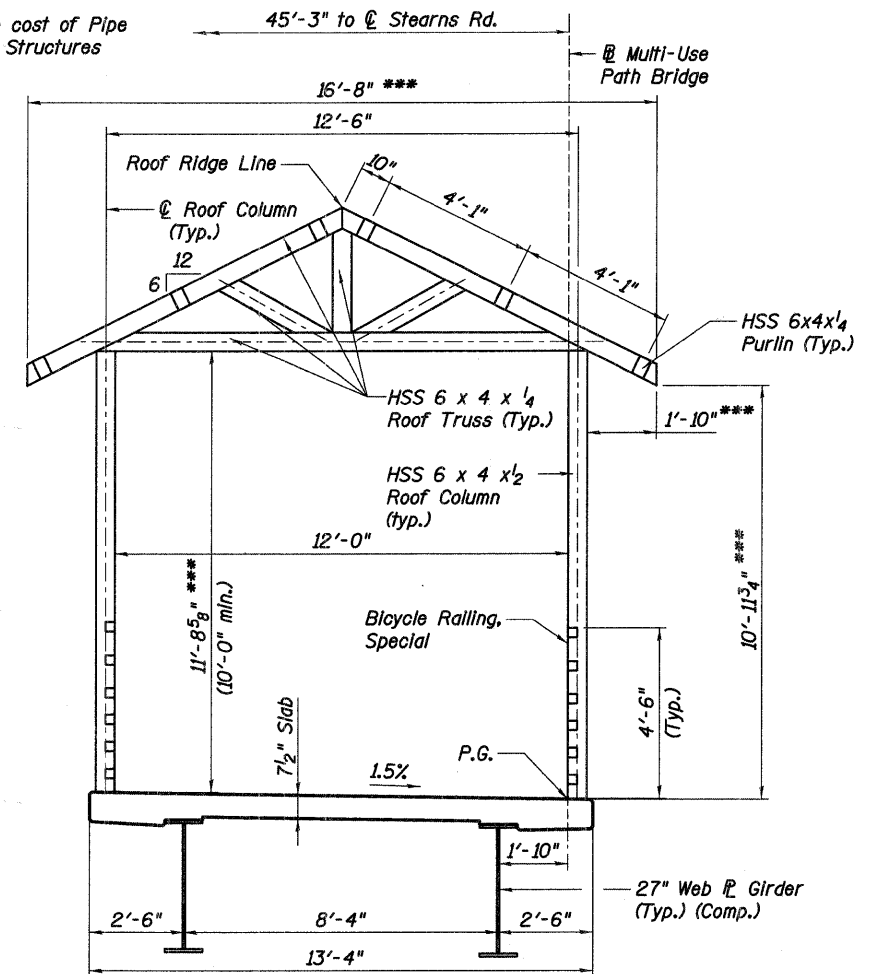
**CROSS SECTION THRU MULTI-USE PATH RAMP & MULTI-USE PATH BRIDGE**



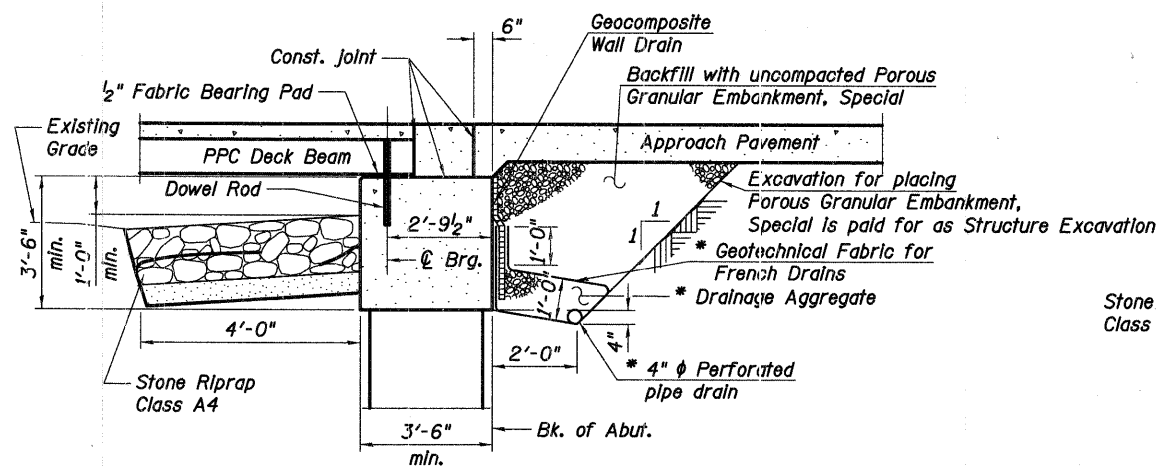
**SECTION THRU EAST ABUTMENT, MULTI-USE PATH BRIDGE**  
(Horiz. dim. @ Rt. L's)



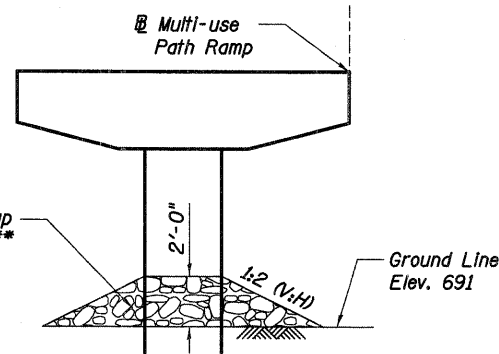
**MUP RAMP CROSS SECTION**  
(Looking North)



**SECTION A-A**  
(Multi-use Path Bridge Span 1) \*\*\* Dimensions are based on a particular Prefabricated Truss manufacturer's design.



**SECTION THRU MUP RAMP ABUTMENTS**  
(Horiz. dim. @ Rt. L's)



**MUP RAMP PIER SKETCH**

\*\*\* Included in the cost of pipe underdrains for structures.  
\*\*\* Place around hammerhead cap on piers 1, 2, 10, & 11 as per the plan view shown on sheet S73 of S108.

Note:  
Layout of riprap may be varied to suit ground conditions in the field as directed by the engineer

**Baker**

Baker Engineering, Inc.

REVISIONS	
NAME	DATE

ILLINOIS DEPARTMENT OF TRANSPORTATION  
**MUP BRIDGE & RAMP - TYPICAL SECTIONS**  
MULTI-USE PATH BRIDGE OVER THE FOX RIVER  
STRUCTURE NUMBER 045-3164  
KANE COUNTY FAP 361 SECTION 06-00214-20-BR  
STATION 572+37.71 DESIGNED: DFM DRAWN: SGW  
DATE: JANUARY 16, 2009 CHECKED: KPZ CHECKED: KPZ