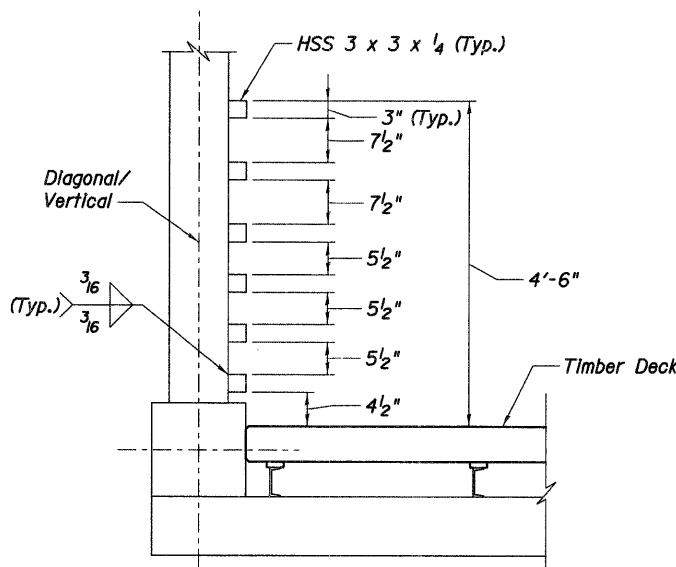
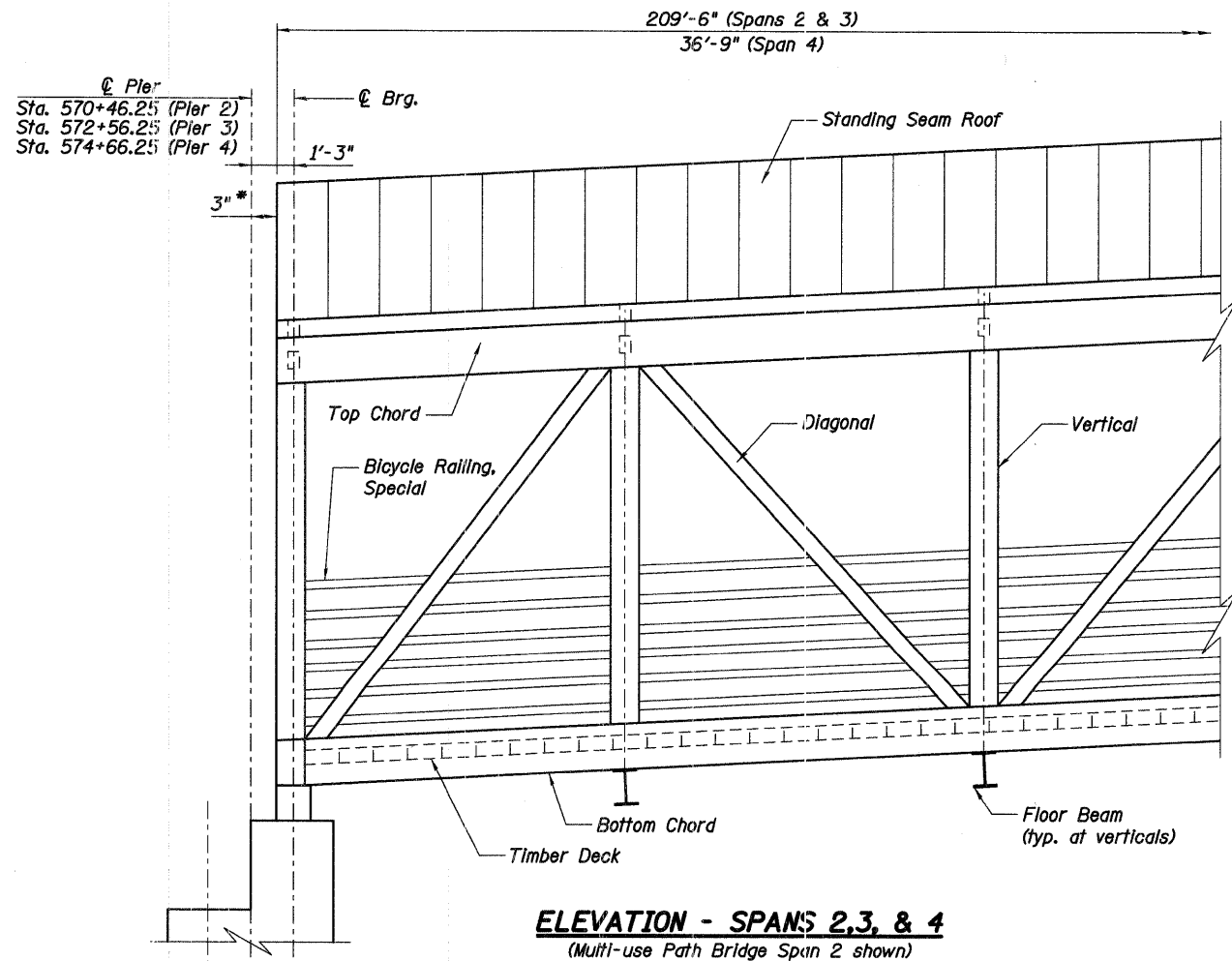
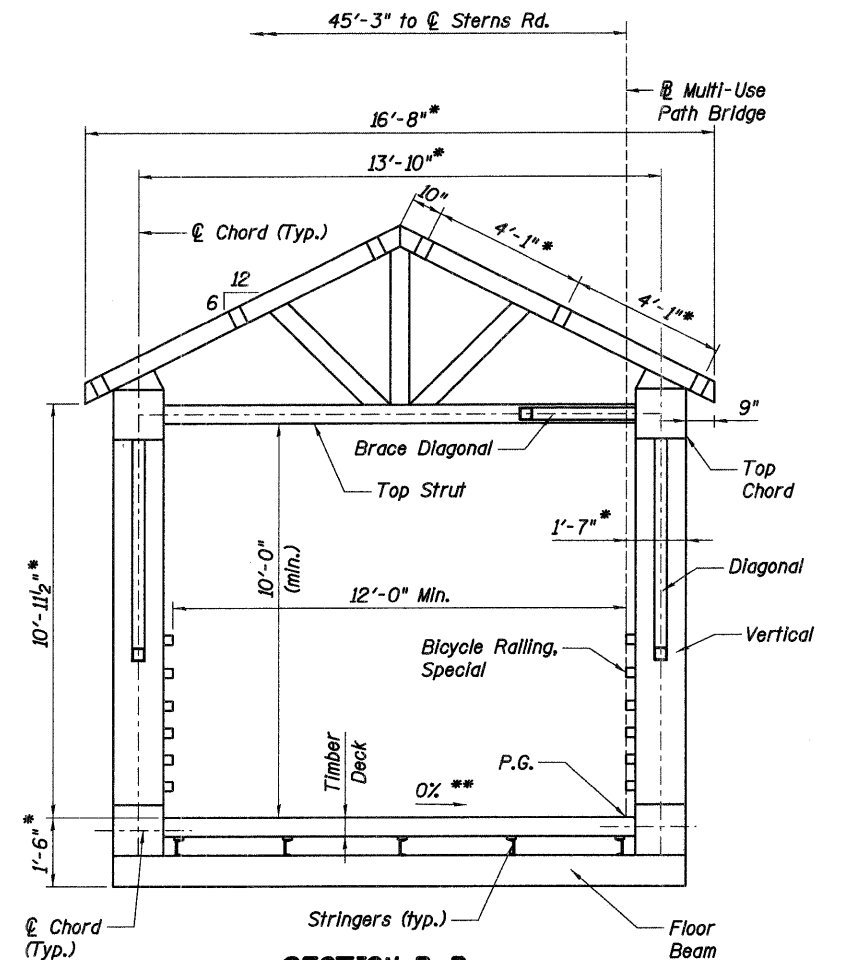
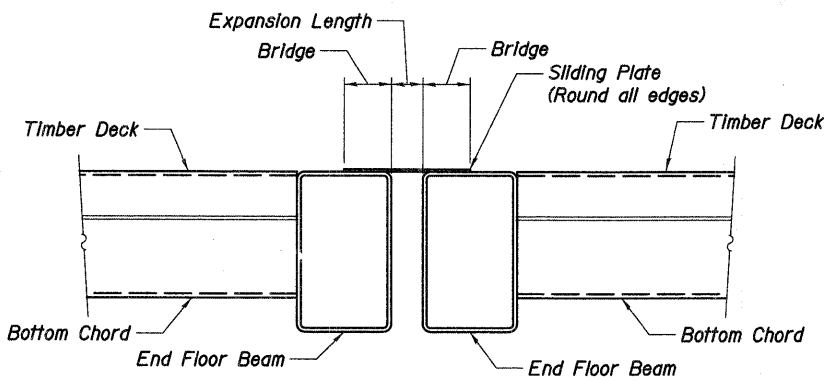
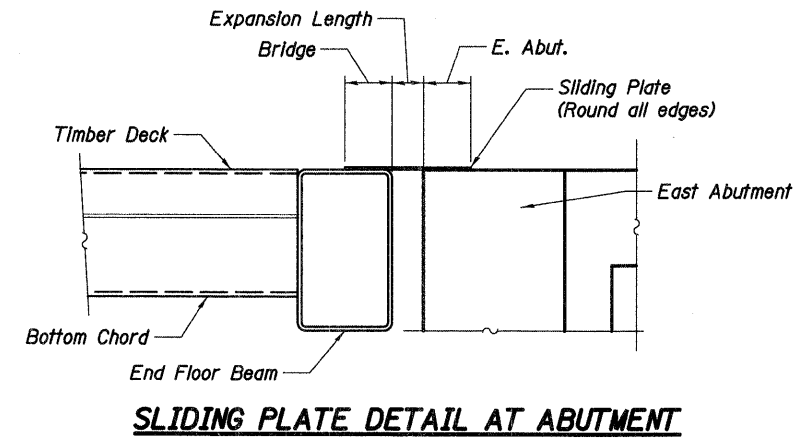
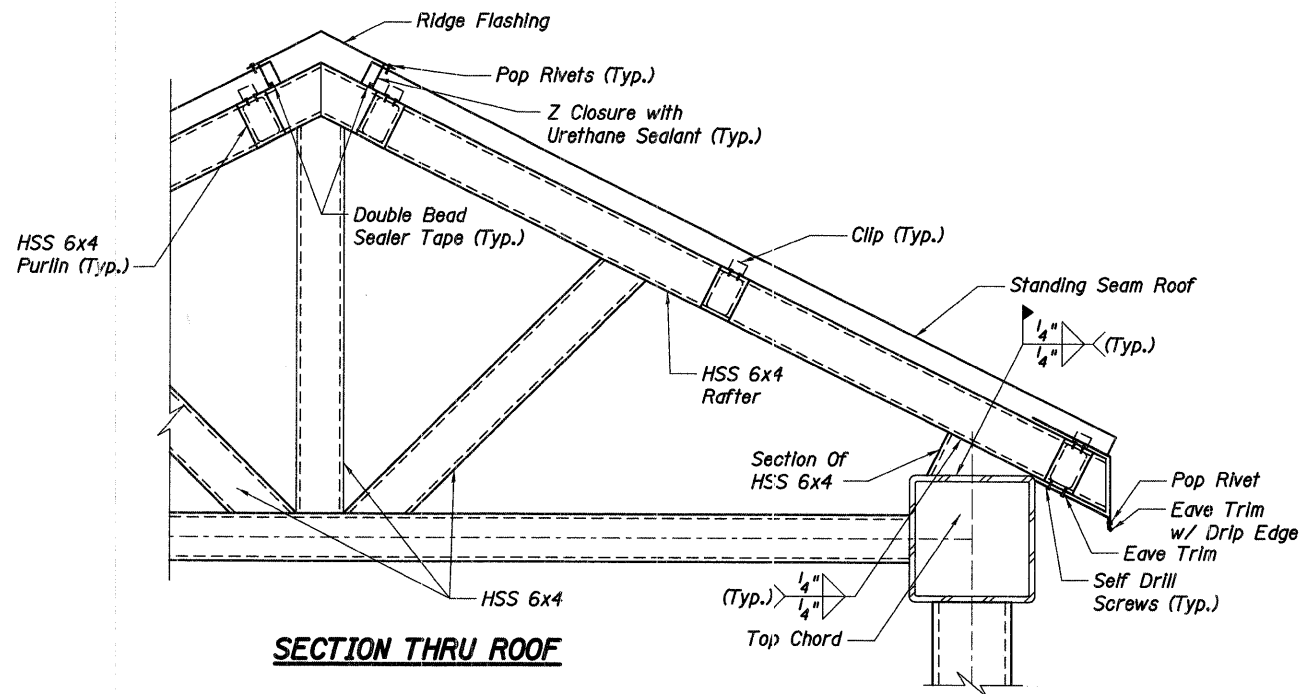


F.A.P. RTE.	SECTION	COUNTY	TOTAL SHEETS	SHEET NO.
361	06-00214-20-BR	KANE	320	165
STA. 511+80.00 TO STA. 609+14.92		ILLINOIS FED. AID PROJECT		
FED. ROAD DIST. NO. 7		SHEET NO. S60 OF S108		



SERVICE LOAD REACTION TABLE FROM PEDESTRAIN TRUSS USED FOR SUBSTRUCTURE DESIGN

	Pier 2	Pier 3	Pier 4	E. Abut.
R <sub>DC1</sub> (k)	136.5	273.0	160.5	24.0
R <sub>DC2</sub> (k)	53.2	106.5	62.6	9.4
R <sub>DW</sub> (k)	0.0	0.0	0.0	0.0
R <sub>∑</sub> ** (k)	107.1	214.2	125.9	18.8
R <sub>Total</sub> (k)	296.8	593.7	349.0	52.2

\*\* Pedestrian Load per AASHTO LRF4

**Notes:**

- Dimensions shown for the prefabricated bridges are based on a particular manufactured product. Actual dimensions of supplied bridge structure may vary subject to approval of the engineer. Contractor to verify and adjust substructure elements as required. Cost shall be included with "Pedestrian Truss Superstructure".
- Cost of "Bicycle Railing Special", joint sliding plates, bearings, and all other items excluding roofing system attached to the pedestrian truss on MUP Bridge spans 2, 3, & 4 shall be included with "Pedestrian Truss Superstructure".
- Contractor shall not erect prefabricated truss bridge by placing erection equipment on the Stearns Road Bridge unless calculations are submitted to and approved by the Engineer. These calculations shall demonstrate that the bridge satisfies the Design Specifications on sheet S2 of S108 under these construction loadings.
- The finish coat for all post, railing, splices, anchor devices, and bent plates for the Bicycle Railing, Special shall be Federal Standard 595B, color #14062; submit paint chips to the Engineer for approval prior to ordering any finish coat material. The Inorganic Zinc Rich Primer / Acrylic / Acrylic Paint System shall be used for shop and field painting.

REVISIONS	
NAME	DATE

ILLINOIS DEPARTMENT OF TRANSPORTATION  
**MUP BRIDGE -**  
**PREFABRICATED TRUSS DETAILS**

MULTI-USE PATH BRIDGE  
OVER THE FOX RIVER  
STRUCTURE NUMBER 045-3164  
PUBLIC WORKS

KANE COUNTY  
STATION 572+37.71  
DESIGNED: DFM  
DATE: JANUARY 16, 2009

FAP 361 SECTION 06-00214-20-BR  
DRAWN: JHJ  
CHECKED: KPZ

**Baker**  
Baker Engineering, Inc.