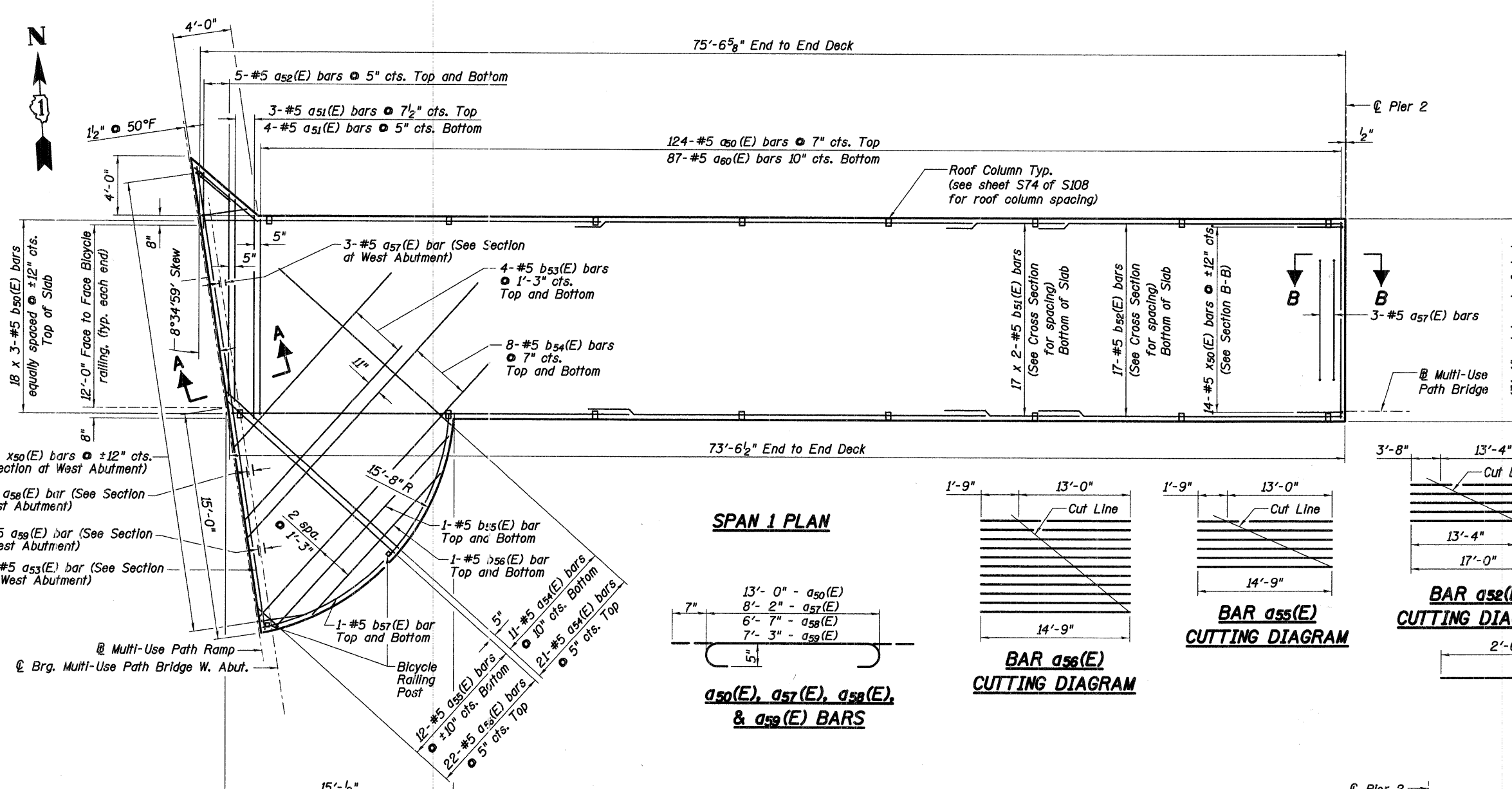


F.A.P. RTE.	SECTION	COUNTY	TOTAL SHEETS	SHEET NO.
361	06-00214-20-BR	KANE	320	168
STA. 511+80.00		TO STA. 609+14.92		
FED. ROAD DIST. NO. 7 ILLINOIS FED. AID PROJECT				
SHEET NO. S63 OF S108				

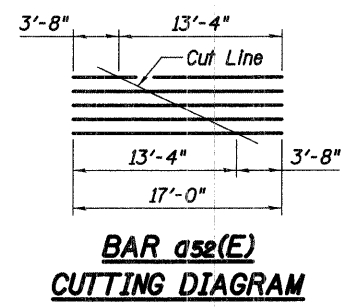
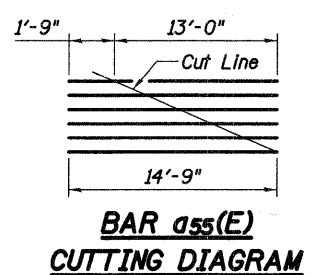
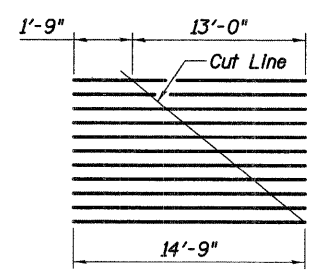
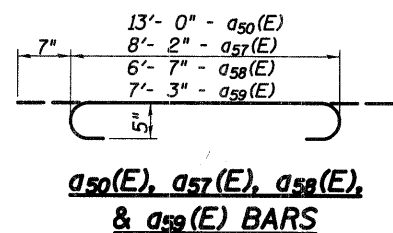
**MUP BRIDGE - SUPERSTRUCTURE**

**BILL OF MATERIAL**

Bar	No.	Size	Length	Shape
a50(E)	124	# 5	14'-2"	U
a51(E)	7	# 5	13'-4"	U
a52(E)	5	# 5	17'-0"	U
a53(E)	6	# 5	31'-0"	U
a54(E)	32	# 5	15'-3"	U
a55(E)	6	# 5	14'-9"	U
a56(E)	11	# 5	14'-9"	U
a57(E)	6	# 5	9'-4"	U
a58(E)	3	# 5	7'-9"	U
a59(E)	3	# 5	8'-5"	U
a60(E)	93	# 5	13'-0"	U
b50(E)	54	# 5	26'-2"	U
b51(E)	34	# 5	29'-3"	U
b52(E)	17	# 5	20'-0"	U
b53(E)	8	# 5	15'-5"	U
b54(E)	16	# 5	22'-7"	U
b55(E)	2	# 5	16'-11"	U
b56(E)	2	# 5	12'-6"	U
b57(E)	2	# 5	20'-2"	U
b58(E)	2	# 5	21'-8"	U
x50(E)	46	# 5	6'-5"	U
Reinforcement Bars, Epoxy Coated			Pound	8,250
Concrete Superstructure			Cu. Yds.	29



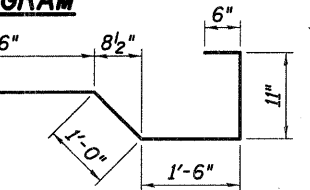
**SPAN 1 PLAN**



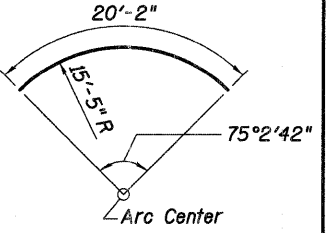
**BAR a52(E) CUTTING DIAGRAM**

**BAR a55(E) CUTTING DIAGRAM**

**BAR a56(E) CUTTING DIAGRAM**



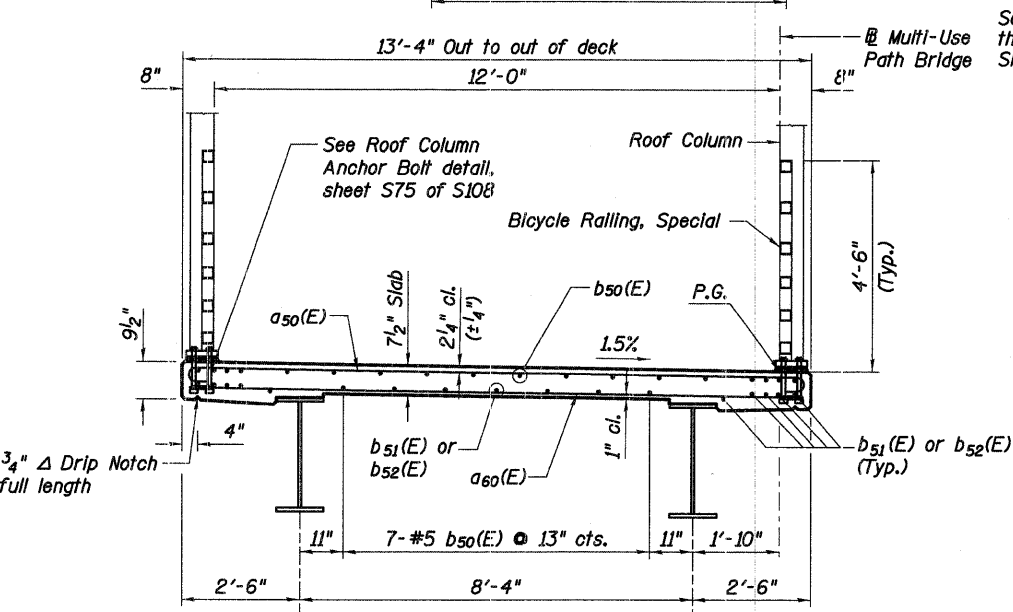
**x50(E) BAR**



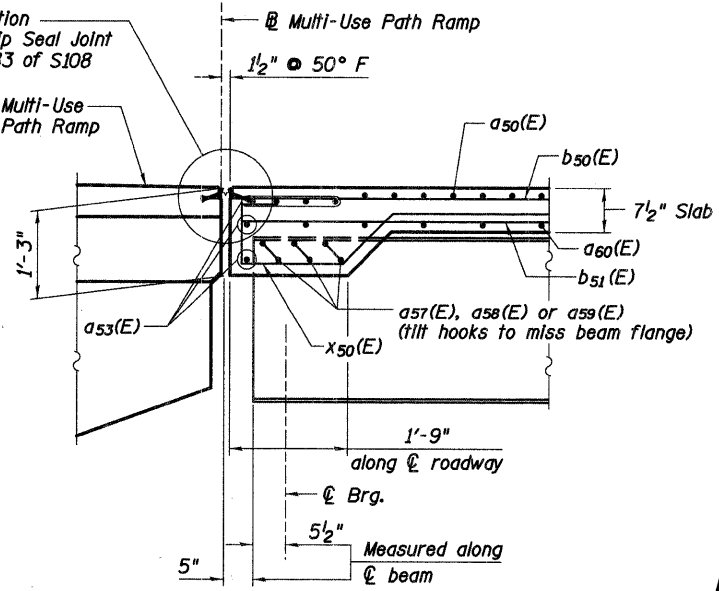
**b57(E) BAR**

32-#5 x50(E) bars @ ±12" cts. (See Section at West Abutment)  
 3-#5 a58(E) bar (See Section at West Abutment)  
 3-#5 a59(E) bar (See Section at West Abutment)  
 6-#5 a53(E) bar (See Section at West Abutment)

H:\33005\3.0 Phase II deliverables\3.3 structure\Drawings\Final\045-3164 MUP Bridge SpDeck Plan.dgn 2/1/2009

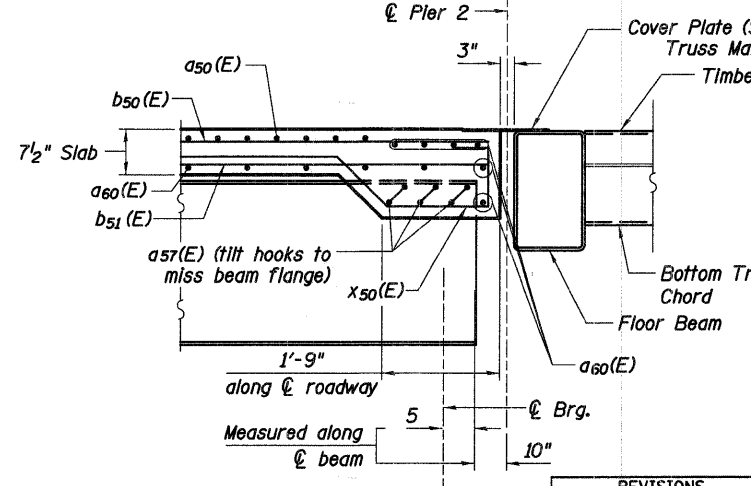


**CROSS SECTION**



**SECTION A-A**

(Intersection between MUP Ramp and MUP Bridge)



**SECTION B-B**

**MIN. LAP**  
#5 Bar = 1'-8"

**Baker**  
Baker Engineering, Inc.

REVISIONS	
NAME	DATE

**Notes:**

- See sheets S64 to S66 of S108 for superstructure details.
- Bars indicated thus 20 x 3-#5 etc. indicates 20 lines of bars with 3 lengths per line.
- Field cut above reinforcement as required.
- The top surface of the deck shall be finished according to Article 424.06 of the Standard Specifications, except the surface shall not be divided by grooves.

ILLINOIS DEPARTMENT OF TRANSPORTATION  
**MUP BRIDGE - DECK PLAN**  
 MULTI-USE PATH BRIDGE OVER THE FOX RIVER PUBLIC WATERS  
 STRUCTURE NUMBER 045-3164  
 KANE COUNTY FAP 361 SECTION 06-00214-20-BR  
 STATION 572+37.71 DESIGNED: DFM DRAWN: SGW  
 DATE: JANUARY 16, 2009 CHECKED: KPZ CHECKED: KPZ