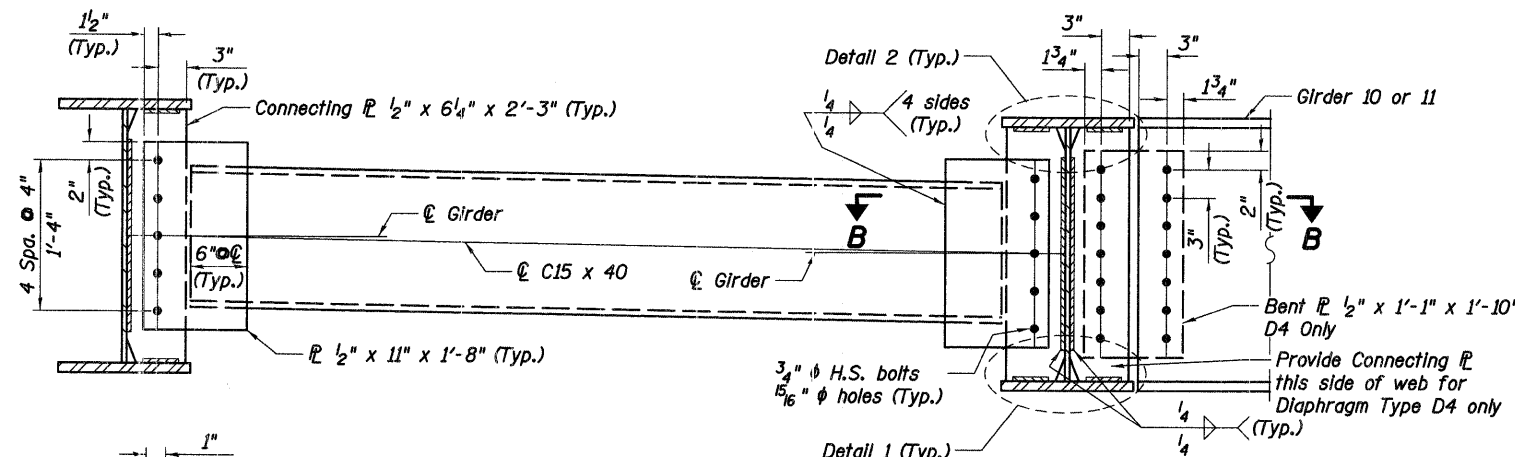


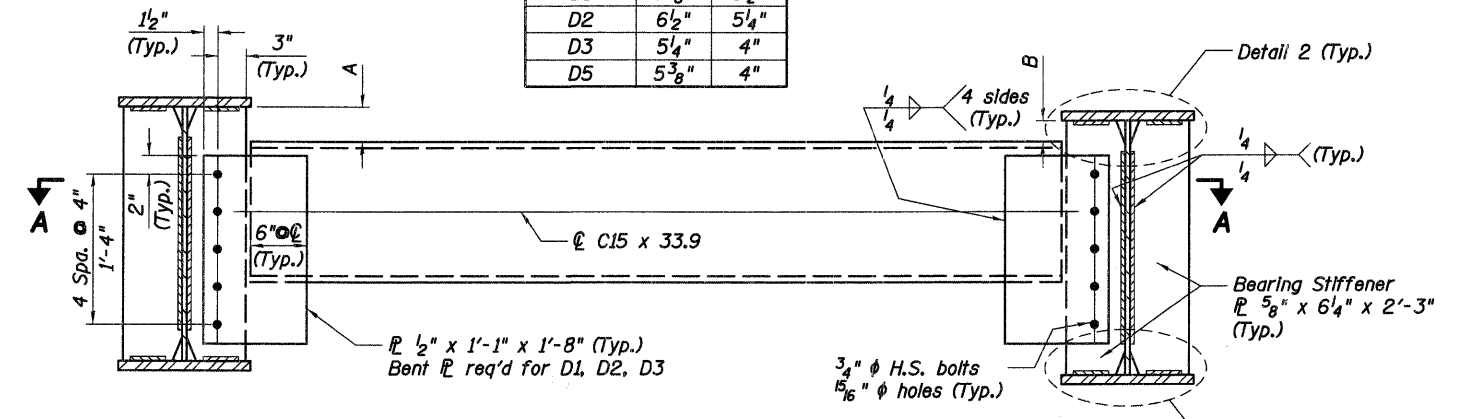
F.A.P. RTE.	SECTION	COUNTY	TOTAL SHEETS	SHEET NO.
361	06-00214-20-BR	KANE	320	171
STA. 511+80.00		TO STA. 609+14.92		
FED. ROAD DIST. NO. 7		ILLINOIS FED. AID PROJECT		
SHEET NO. S66 OF S108				

Diaphragm Type	A	B
D1	7 <sup>7</sup> / <sub>8</sub> "	6 <sup>1</sup> / <sub>2</sub> "
D2	6 <sup>1</sup> / <sub>2</sub> "	5 <sup>1</sup> / <sub>4</sub> "
D3	5 <sup>1</sup> / <sub>4</sub> "	4"
D5	5 <sup>3</sup> / <sub>8</sub> "	4"



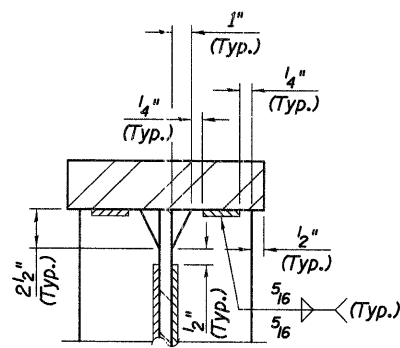
**TYPICAL INTERIOR DIAPHRAGM**

Diaphragm Type D (2 Req'd)  
Diaphragm Type D4 (2 Req'd)

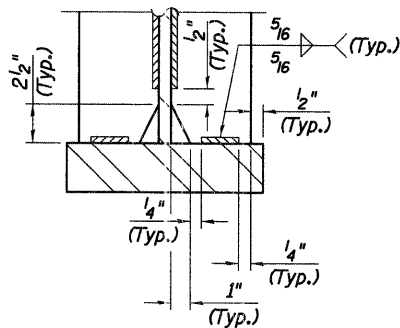


**TYPICAL END DIAPHRAGM**

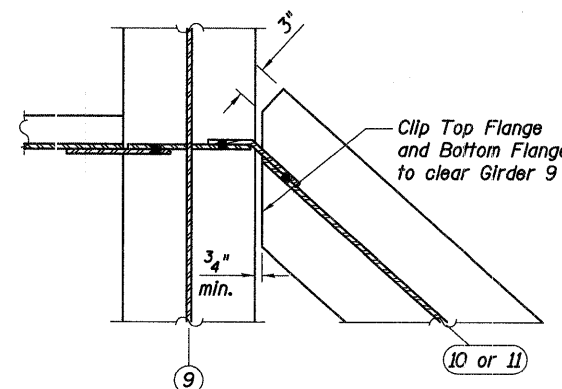
Diaphragm Type D1 (1 Req'd)  
Diaphragm Type D2 (1 Req'd)  
Diaphragm Type D3 (1 Req'd)  
Diaphragm Type D5 (1 Req'd)



**DETAIL 2**

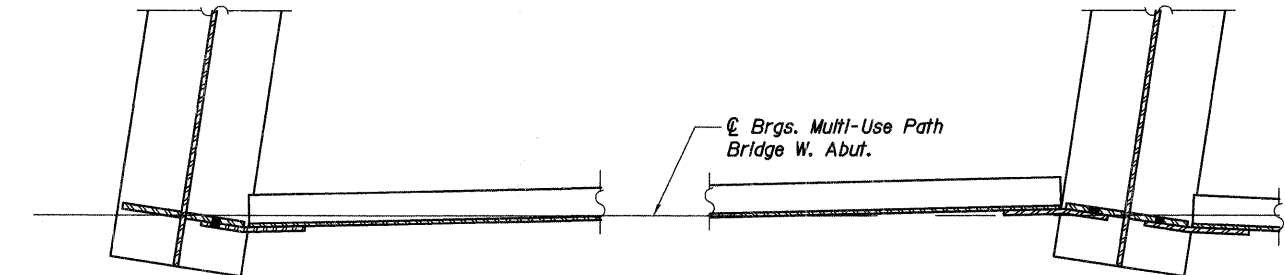


**DETAIL 1**



**SECTION B-B**

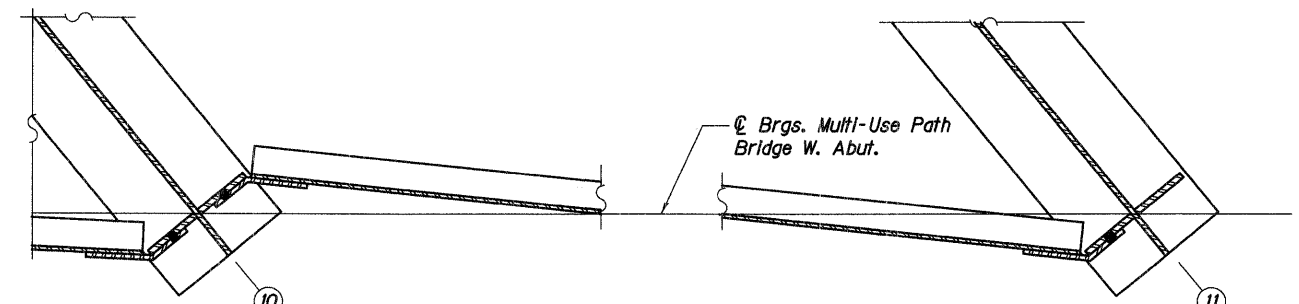
Diaphragm Type D4



**SECTION A-A**

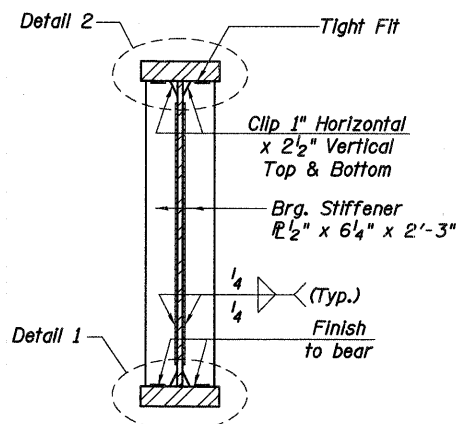
Girders 8 & 9

Denotes Girder Number



**SECTION A-A**

Girders 10 & 11



**TYPICAL BEARING STIFFENER**

**Notes:**

- For additional Framing Plan and Girder Elevation information, see sheets S64 and S65 of S108.
- All cross frames or diaphragms shall be installed as steel erected and secured with erection pins and bolts except as otherwise noted. Individual cross frames or diaphragms at supports may be temporarily disconnected to install bearing anchor rods.
- Load carrying components designated "NTR" shall conform to the Supplemental Requirements Notch Toughness, Zone 2.
- All diaphragm components shall be AASHTO M270 Gr. 36.
- Two hardened washers required for all diaphragm holes.
- The structural steel for girders, bearing stiffeners, and splice plate material except fill plates shall conform to the requirements of AASHTO M270, Gr. 50.

REVISIONS	
NAME	DATE

**Baker**

Baker Engineering, Inc.

ILLINOIS DEPARTMENT OF TRANSPORTATION  
**MUP BRIDGE - STEEL DETAILS II**  
MULTI-USE PATH BRIDGE OVER THE FOX RIVER  
STRUCTURE NUMBER 045-3164  
KANE COUNTY FAP 361 SECTION 06-00214-20-BR  
STATION 572+37.71 DESIGNED: GWG DRAWN: GWG  
DATE: JANUARY 16, 2009 CHECKED: KPZ CHECKED: KPZ