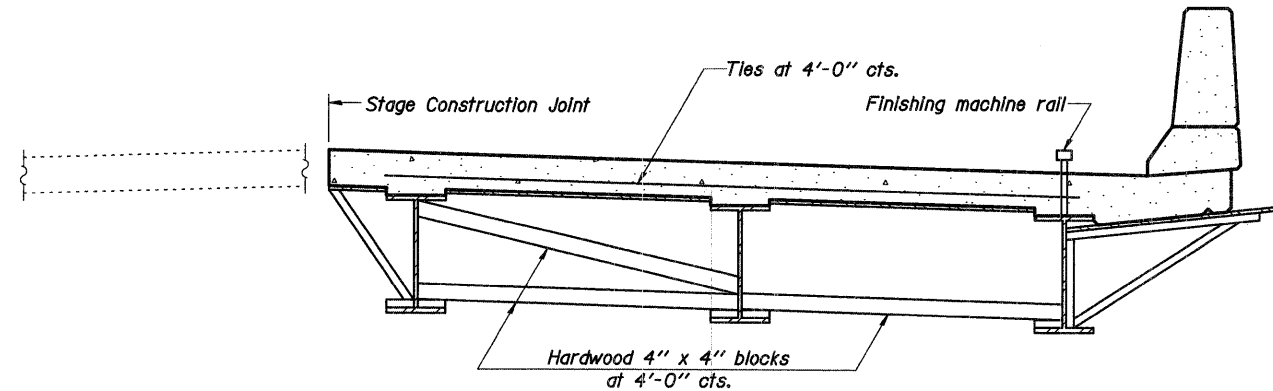
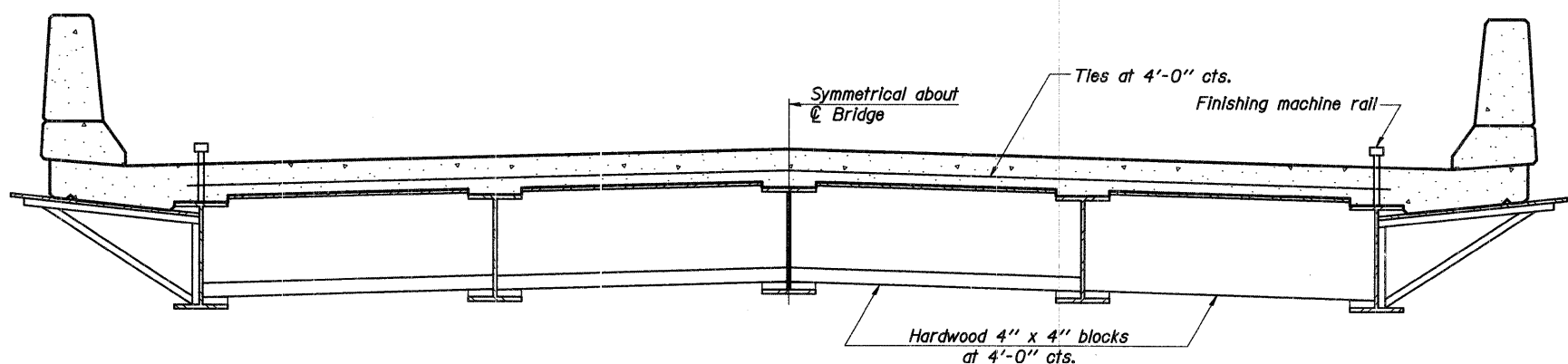


F.A.P. RTE.	SECTION	COUNTY	TOTAL SHEETS	SHEET NO.
361	06-00214-20-BR	KANE	320	172
STA. 511+80.00		TO STA. 609+14.92		
FED. ROAD DIST. NO. 7		ILLINOIS FED. AID PROJECT		
SHEET NO. S67 OF S108				

When cantilever forming brackets are used, the work shall be done according to Article 503.06(b) of the Standard Specifications, except as modified below and in the details shown on this sheet.
 The finishing machine rails shall be placed on the top flange of the exterior beams.
 The beams or girders, supporting cantilever forming brackets, shall be tied together at 4 foot intervals.
 For Standard construction, or Stage Construction the Hardwood bracing materials shall be placed as shown between webs of beams in each bay.



FORM BRACES FOR STAGE CONSTRUCTION



FORM BRACES FOR STANDARD CONSTRUCTION

h:\3005\3.0 phase II deliverables\3.3 structure\drawings\Final\045-3164 MUP Bridge CantFormBracket.dgn 1/15/2009



REVISIONS	
NAME	DATE

ILLINOIS DEPARTMENT OF TRANSPORTATION
MUP BRIDGE -
CANTILEVER FORMING BRACKETS
 MULTI-USE PATH BRIDGE PUBLIC
 OVER THE FOX RIVER WATERS
 STRUCTURE NUMBER 045-3164
 KANE COUNTY FAP 361 SECTION 06-00214-20-BR
 STATION 572+37.71 DESIGNED: DFM DRAWN: SCW
 DATE: JANUARY 16, 2009 CHECKED: KPZ CHECKED: KPZ