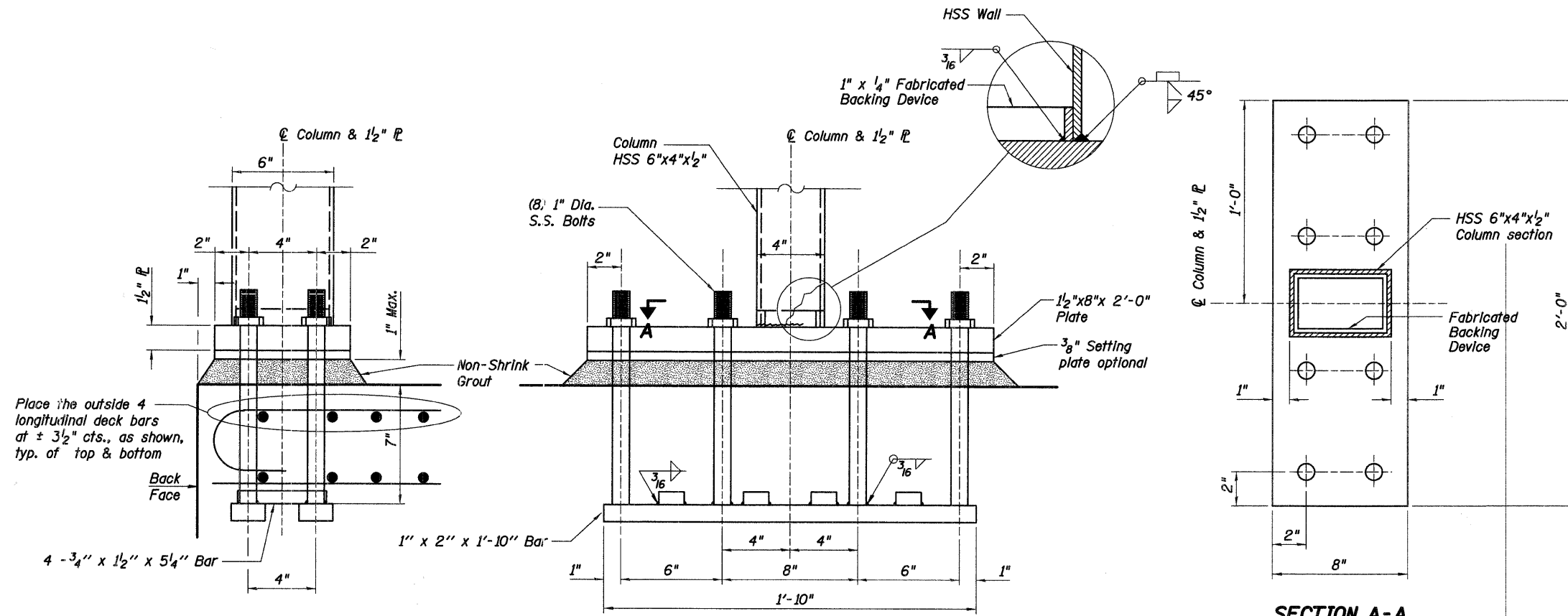
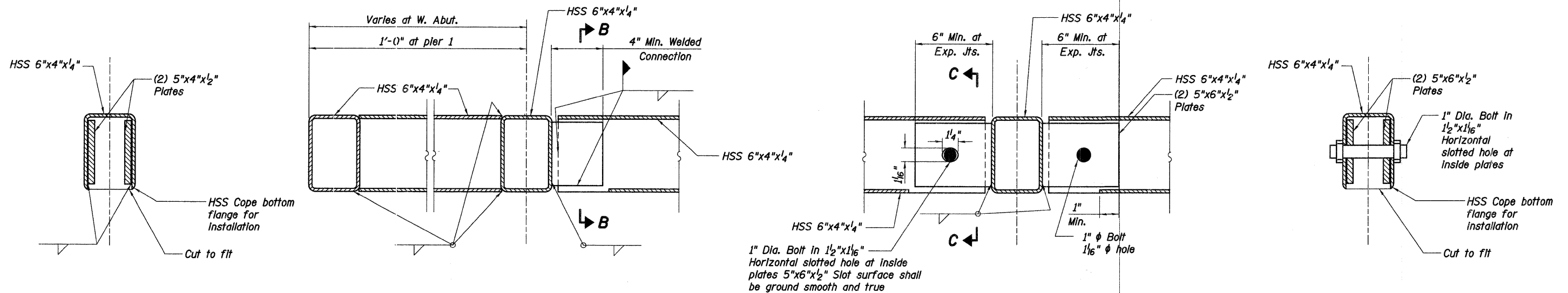


F.A.P. RTE.	SECTION	COUNTY	TOTAL SHEETS	SHEET NO.
361	06-00214-20-BR	KANE	320	180
STA. 511+80.00		TO STA. 609+14.92		
FED. ROAD DIST. NO. 7		ILLINOIS FED. AID PROJECT		
SHEET NO. 575 OF 5108				



ANCHOR BOLT DETAIL

SECTION A-A



SECTION B-B

WELDED CONNECTION AT CANTILEVER

BOLTED CONNECTION

SECTION C-C

REVISIONS	
NAME	DATE

ILLINOIS DEPARTMENT OF TRANSPORTATION
MUP BRIDGE -
SPAN 1 ROOF DETAILS
 MULTI-USE PATH BRIDGE OVER THE FOX RIVER PUBLIC WATERS
 STRUCTURE NUMBER 045-3164
 KANE COUNTY FAP 361 SECTION 06-00214-20-BR
 STATION 572+37.71 DESIGNED: DFM DRAWN: SGW
 DATE: JANUARY 16, 2009 CHECKED: KPZ CHECKED: KPZ

Baker
 Baker Engineering, Inc.