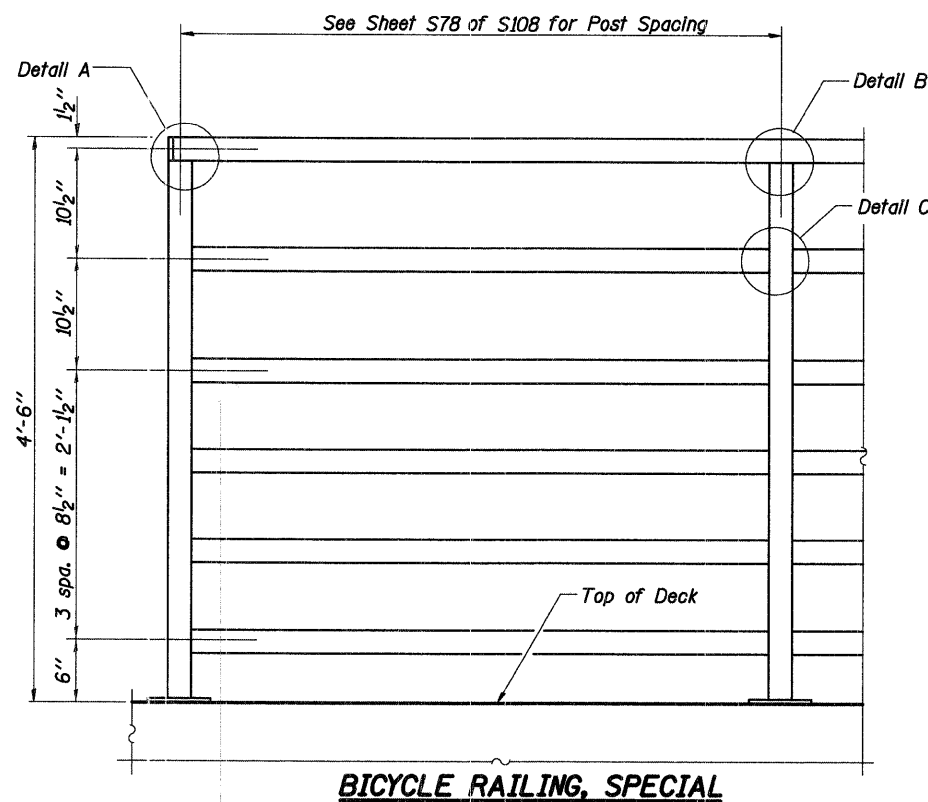
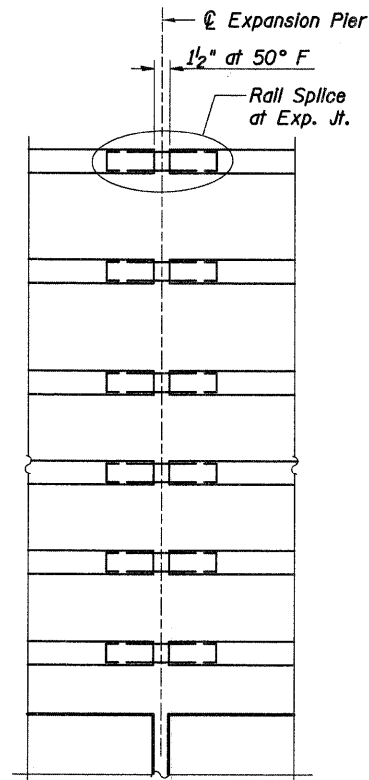


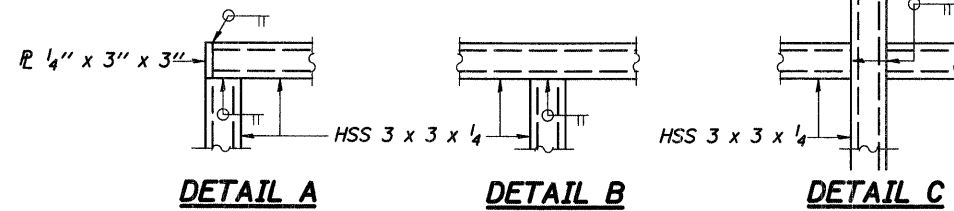
F.A.P. RTE.	SECTION	COUNTY	TOTAL SHEETS	SHEET NO.
361	06-00214-20-BR	KANE	320	186
STA. 511+80.00		TO STA. 609+14.92		
FED. ROAD DIST. NO. 7		ILLINOIS FED. AID PROJECT		
		SHEET NO. S81		OF S108



**BICYCLE RAILING, SPECIAL**

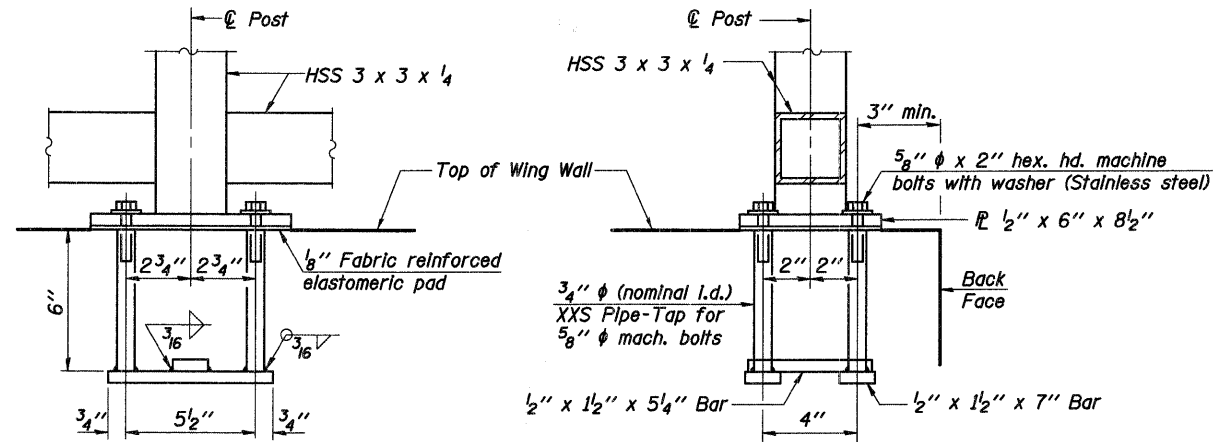


**BICYCLE RAILING, SPECIAL AT EXPANSION PIER**

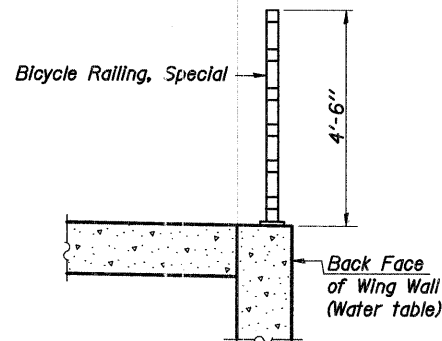


**DETAIL A      DETAIL B      DETAIL C**

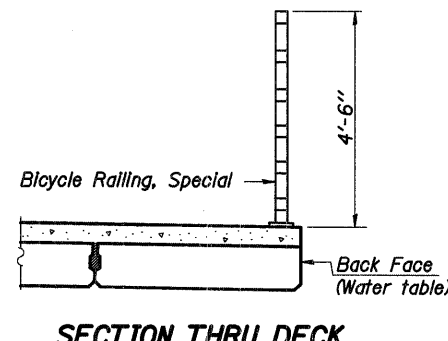
The finish coat for all post, railing, splices, anchor devices, and bent plates shall be Federal Standard 595B, color #14062; submit paint chips to the Engineer for approval prior to ordering any finish coat material. The Inorganic Zinc Rich Primer / Acrylic / Acrylic Paint System shall be used for shop and field painting



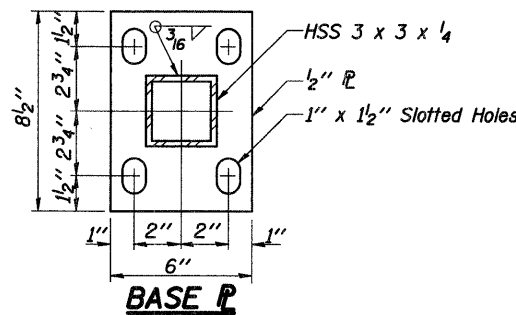
**ANCHOR BOLT DETAILS (TOP OF WING WALL)**



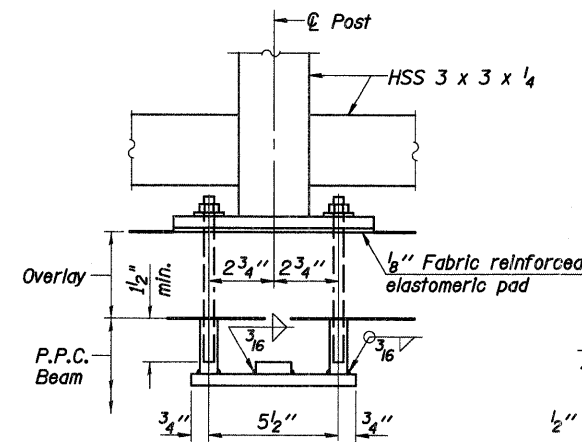
**SECTION THRU WING WALL**



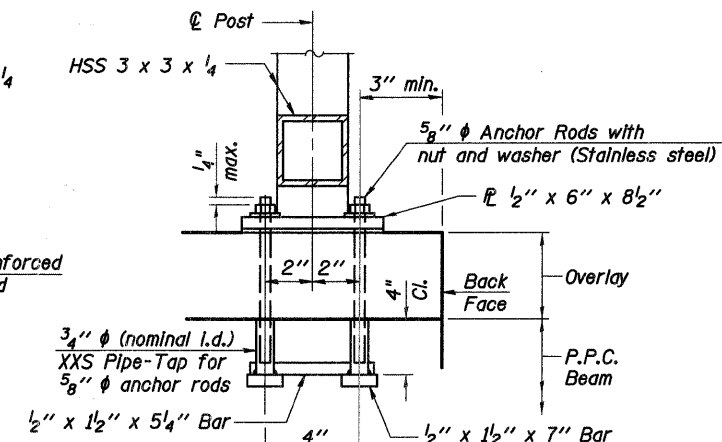
**SECTION THRU DECK**



**BASE PLATE**

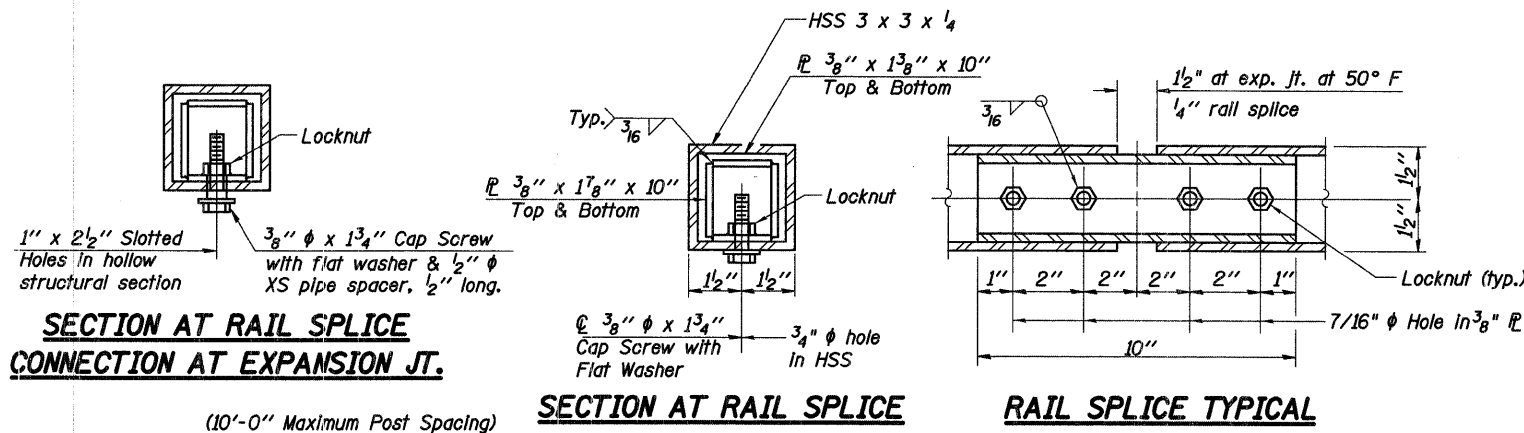


**ANCHOR BOLT DETAILS (P.P.C. DECK BEAMS)**



**BILL OF MATERIAL**

Item	Unit	Quantity
Bicycle Railing, Special	Foot	776



**SECTION AT RAIL SPLICE CONNECTION AT EXPANSION JT.**

**SECTION AT RAIL SPLICE**

**RAIL SPLICE TYPICAL**

In lieu of the cast-in-place anchor device shown, the Contractor has the option of drilling and setting 5/8" anchor rods according to Article 509.06 of the Standard Specifications. Embedment shall be according to the manufacturer's specifications.

**Baker**  
Baker Engineering, Inc.

REVISIONS	
NAME	DATE

ILLINOIS DEPARTMENT OF TRANSPORTATION  
**MUP RAMP - BICYCLE RAILING, SPECIAL**  
 MULTI-USE PATH BRIDGE OVER THE FOX RIVER PUBLIC WATERS  
 STRUCTURE NUMBER 045-3164  
 KANE COUNTY FAP 361 SECTION 06-00214-20-BR  
 STATION 572+37.71 DESIGNED: DFM DRAWN: SGW  
 DATE: JANUARY 16, 2009 CHECKED: KPZ CHECKED: KPZ

h:\13005\3.0 phase II deliverables\3.3 structure\drawings\Final\045-3164 MUP Ramp BicycleRailing.dgn 1/15/2009