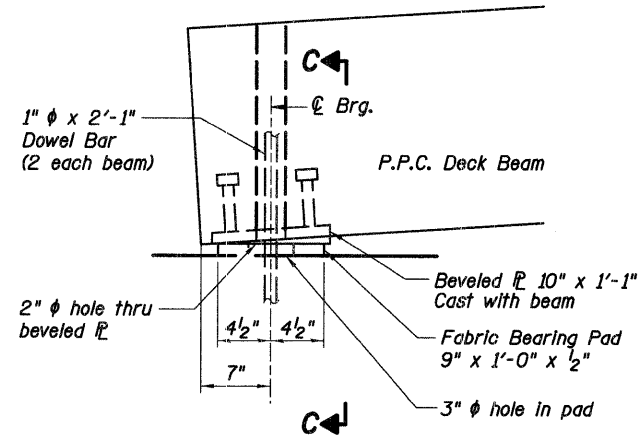


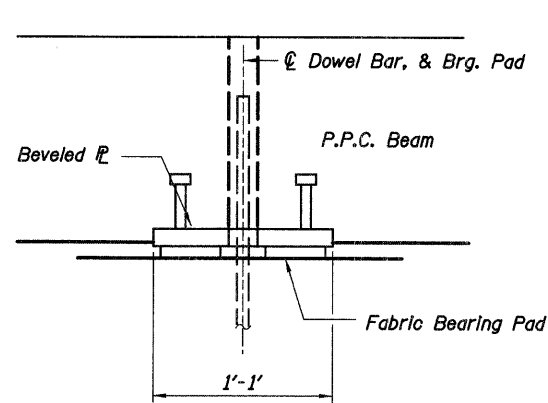
F.A.P. RTE.	SECTION	COUNTY	TOTAL SHEETS	SHEET NO.
361	06-00214-20-BR	KANE	320	187
STA. 511+80.00		TO STA. 609+14.92		
FED. ROAD DIST. NO. 7		ILLINOIS FED. AID PROJECT		
		SHEET NO. S82 OF S108		



ELEVATION

(View parallel to ϕ beam)

Note: Omit holes and dowel bar when used at expansion joints.

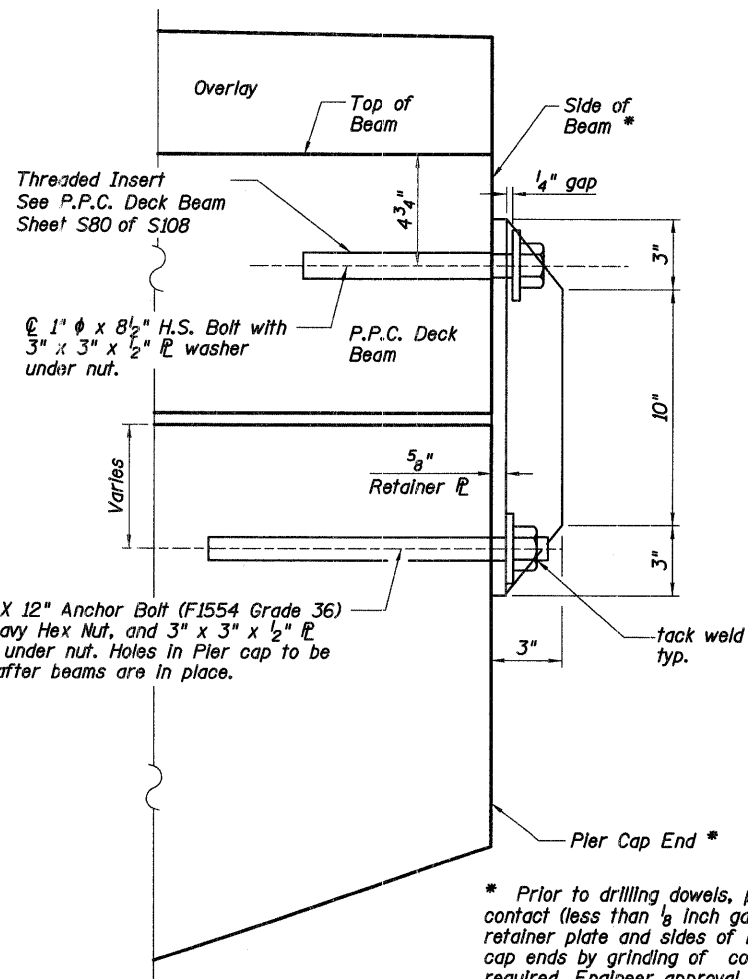


SECTION C-C

(2 at each beam end)

FABRIC BEARING PAD

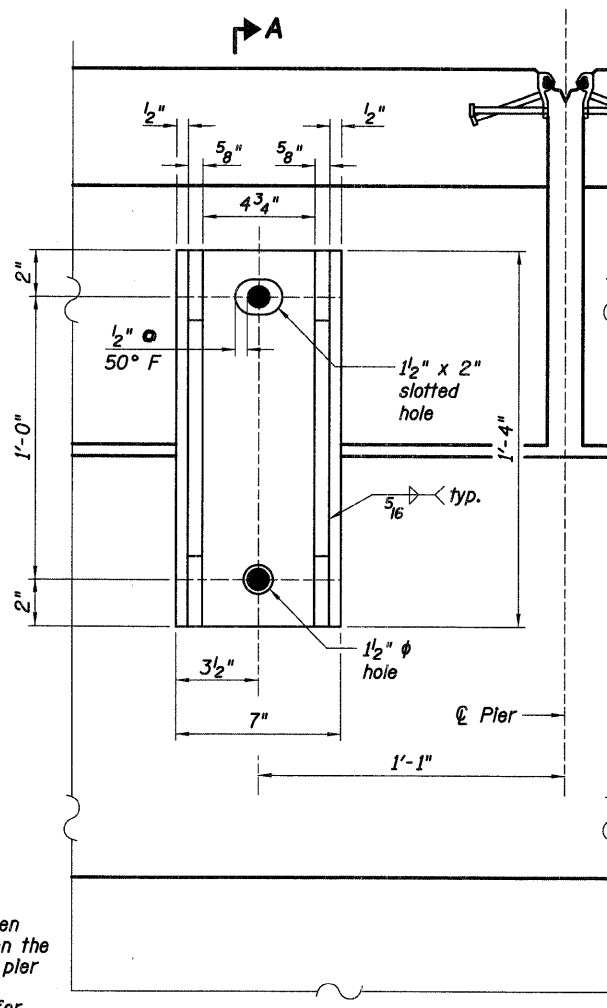
(N. Abut., S. Abut., Fixed Piers 2, 4, 5, 6, 8, 10; 84 required)
(Expansion Piers 1, 3, 7, 9, 11; 60 required)



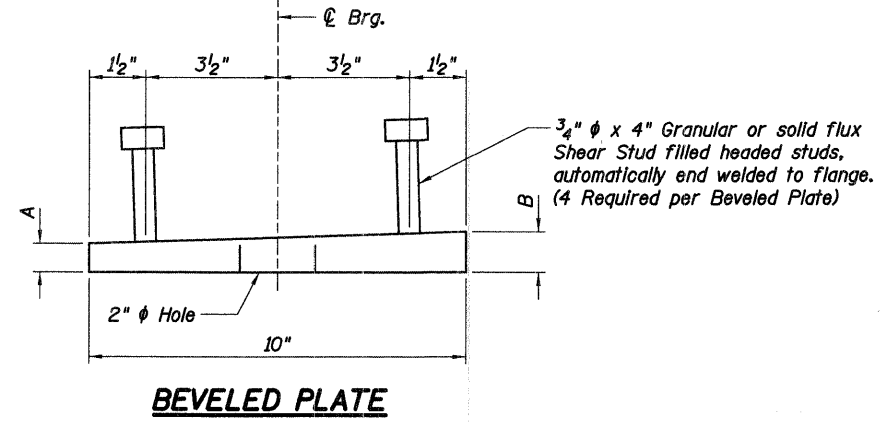
SECTION A-A

SIDE RETAINER

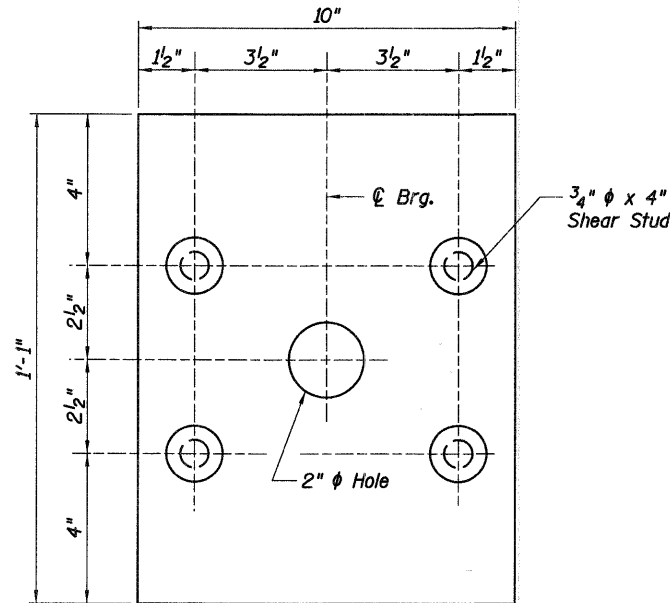
(Piers 1, 3, 7, 9, 11)
(20 required)



ELEVATION



BEVELED PLATE



BEVELED PLATE

(Showing studs)

BEVEL PLATE DIMENSIONS			
Support	Bearing Location	A (at South edge)	B (at North edge)
S Abut	-	3/4"	1 1/4"
Pier 1	South	3/4"	1 1/4"
	North	3/4"	1 1/4"
Pier 2	South	3/4"	1 1/4"
	North	3/4"	1 1/4"
Pier 3	South	3/4"	1 1/4"
	North	3/4"	1 1/4"
Pier 4	South	3/4"	1 1/4"
	North	3/4"	1 1/4"
Pier 5	South*	-	-
	North**	1"	1"
Pier 6	South**	1"	1"
	North*	-	-
Pier 7	South	1 3/16"	3/4"
	North	1 3/16"	3/4"
Pier 8	South	1 3/16"	3/4"
	North	1 3/16"	3/4"
Pier 9	South	1 3/16"	3/4"
	North	1 3/16"	3/4"
Pier 10	South	1 3/16"	3/4"
	North	1 3/16"	3/4"
Pier 11	South	1 3/16"	3/4"
	North	1 3/16"	3/4"
N Abut	-	1 3/16"	3/4"

* No bevel plate provided at these locations.
** Plate with no bevel provided at these locations.

BILL OF MATERIAL

Item	Unit	Total
Anchor Bolts, 1"	Each	20

- Notes:**
- Anchor bolts shall be ASTM F1554 all-thread (or an Engineer-approved alternate material) of the grade(s) and diameter(s) specified. ASTM A307 Grade C anchor bolts may be used in lieu of ASTM F1554 Grade 36 (Fy=36ksi). The corresponding specified grade of AASHTO M314 anchor bolts may be used in lieu of ASTM F1554.
 - Dowel bars at fixed bearings may be either cast in place or installed in holes drilled after the supported member is in place.
 - Drilled and set anchor bolts shall be installed according to Article 521.06 of the Standard Specifications.
 - Side retainers, beveled plates, shear studs, fabric bearing pads, dowel bars and associated members shall be included in the cost of Precast Concrete Deck Beams.

REVISIONS	
NAME	DATE

ILLINOIS DEPARTMENT OF TRANSPORTATION
MUP RAMP - BEARING DETAILS
MULTI-USE PATH BRIDGE OVER THE FOX RIVER PUBLIC
STRUCTURE NUMBER 045-3164 WATERS
KANE COUNTY FAP 361 SECTION 06-00214-20-BR
STATION 572+37.71 DESIGNED: DFM DRAWN: SGW
DATE: JANUARY 16, 2009 CHECKED: KPZ CHECKED: KPZ

Baker
Baker Engineering, Inc.

H:\3005\3.0 phase II deliverables\3.3 structure\drawings\Final\045-3164 MUP Ramp brg details.dgn
 1/15/2009