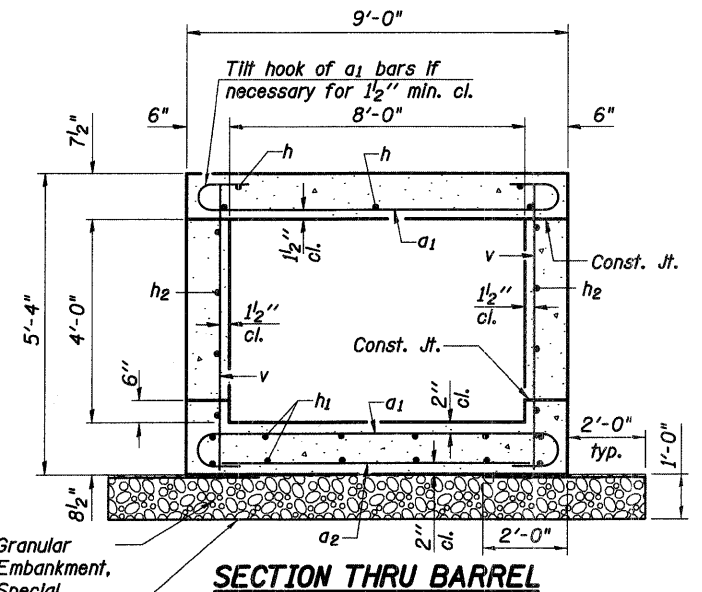
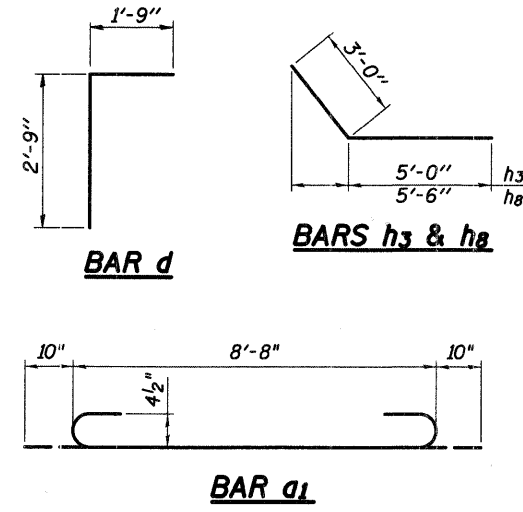
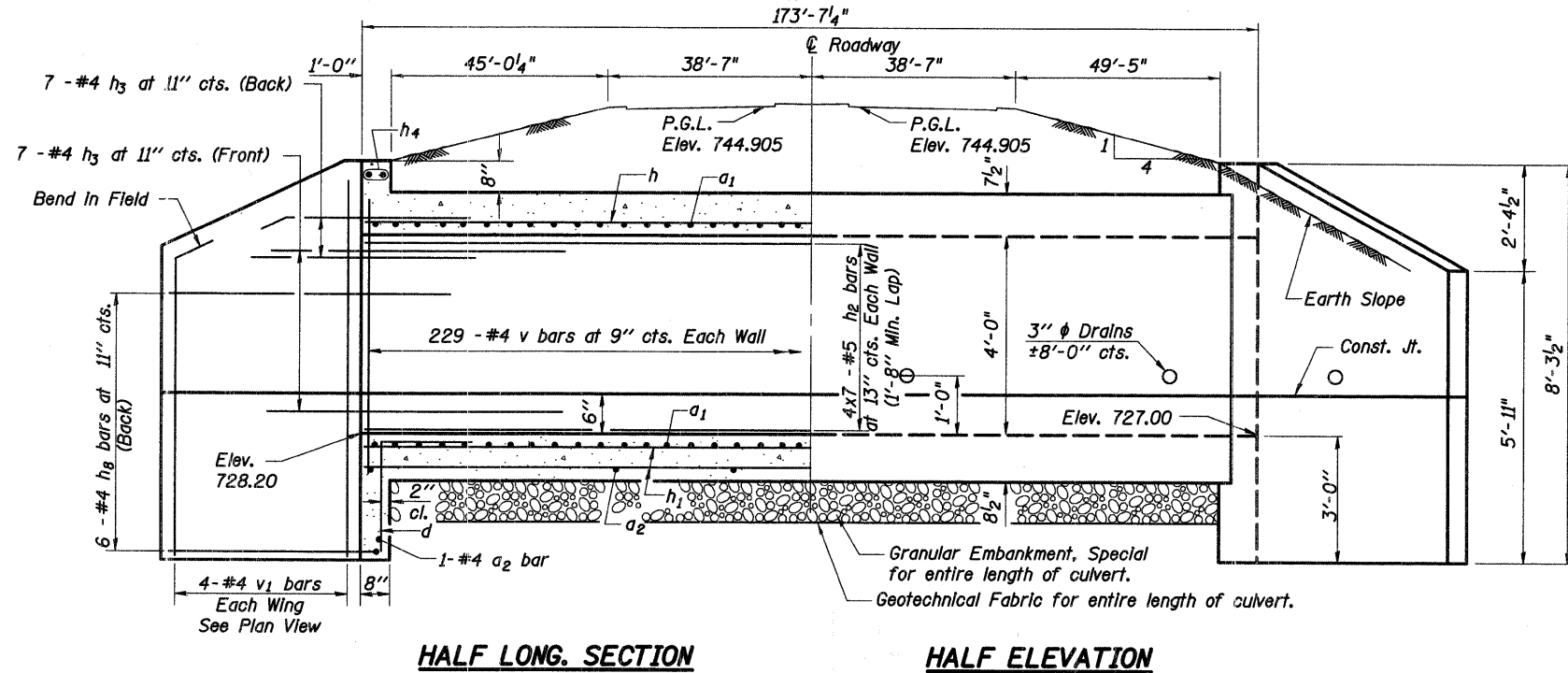
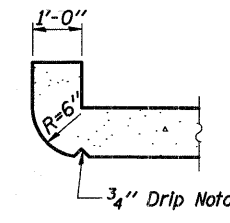
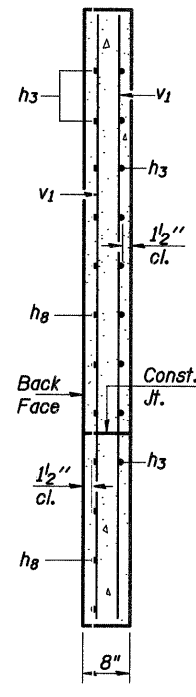


F.A.P. RTE.	SECTION	COUNTY	TOTAL SHEETS	SHEET NO.
361	06-00214-20-BR	KANE	320	218
STA. 511+80.00		TO STA. 609+14.92		
FED. ROAD DIST. NO. 7		ILLINOIS FED. AID PROJECT		



**BILL OF MATERIAL**

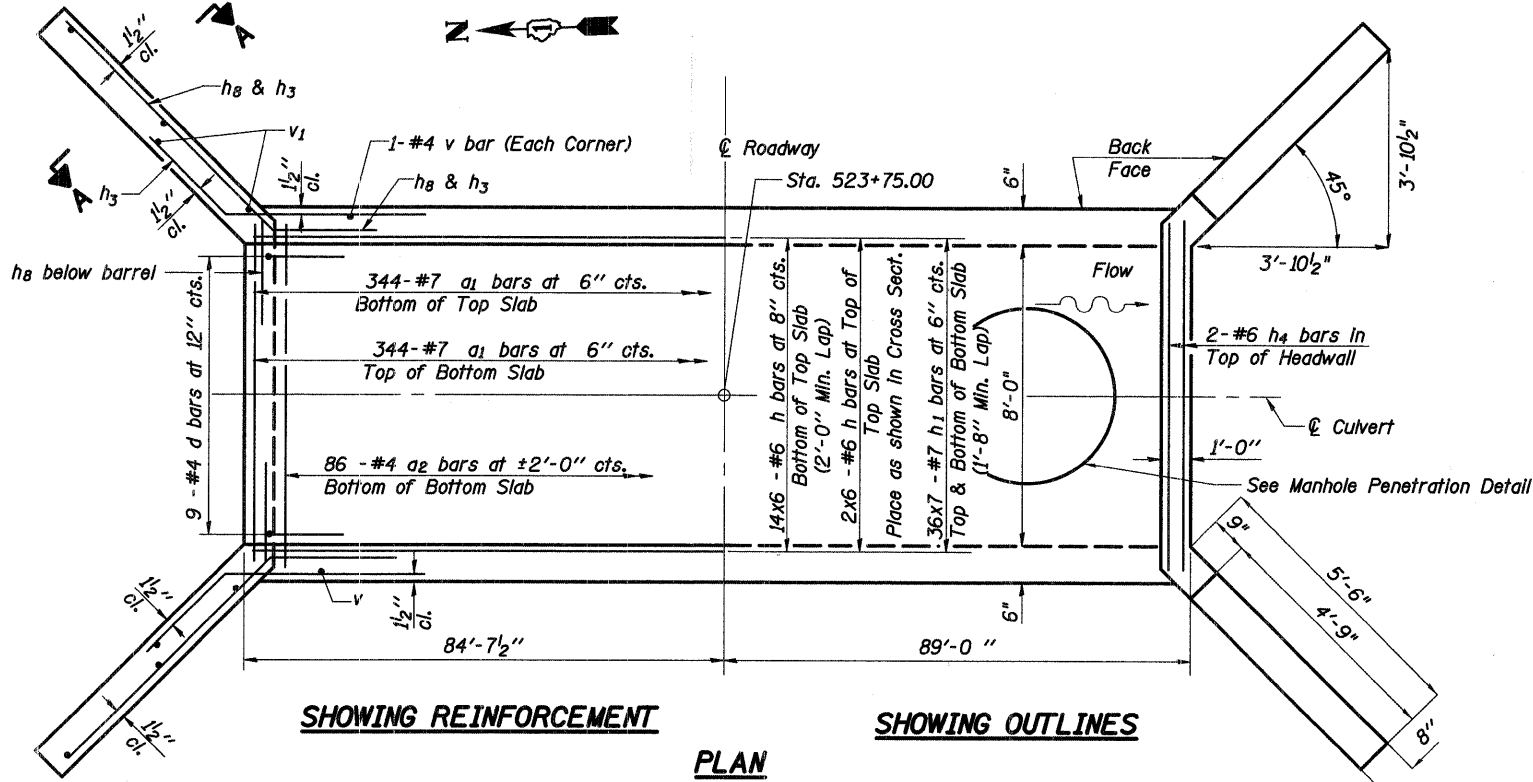
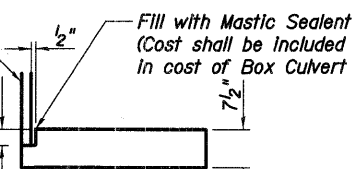
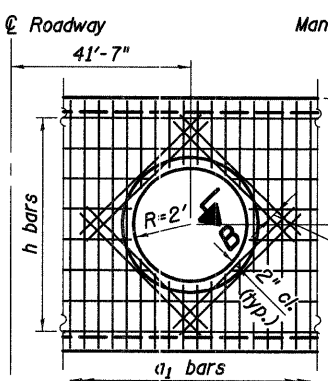
Bar	No.	Size	Length	Shape
a1	688	# 7	10'-4"	U
a2	88	# 4	8'-8"	—
a3	12	# 8	10'-9"	—
a4	30	# 8	13'-9"	└
a5	8	# 7	6'-0"	—
d	18	# 4	4'-6"	└
h	96	# 6	30'-7"	—
h1	252	# 7	26'-3"	—
h2	56	# 5	26'-3"	—
h3	56	# 4	8'-0"	└
h4	4	# 6	8'-0"	—
h8	24	# 4	8'-6"	└
h9	96	# 4	5'-8"	U
v	458	# 4	5'-0"	—
v1	20	# 4	8'-0"	—
v2	30	# 8	8'-4"	└
v3	30	# 8	6'-8"	└
v4	30	# 8	3'-11"	└
Concrete Box Culverts			Cu Yd	115
Reinforcement Bars			Pound	40,100



**DESIGN STRESSES**

fy = 60,000 psi  
f'c = 3,500 psi

**LOADING HS 20-44 & ALT.**



**NOTES:**  
 A distance of half the length of the wingwall but not less than six feet of the barrel shall be poured monolithically with the wingwalls.  
 Reinforcement bars shall conform to the requirements of ASTM A 706 Gr 60. See Special Provisions. Bars indicated thus 12 x 4-#5 etc. indicates 12 lines of bars with 4 lengths per line.  
 Precast culvert alternate is not allowed.  
 See Sheet 219 of 320 for Box Culvert Settlement Collar Details.  
 Box Culvert Settlement Collars Concrete quantity is included with Concrete Box Culverts quantity.

REVISIONS	
NAME	DATE

ILLINOIS DEPARTMENT OF TRANSPORTATION  
**4'x8' BOX CULVERT**  
 STEARNS ROAD PUBLIC WATERS  
 KANE COUNTY FAP 361 SECTION 06-00214-20-BR  
 STATION 523+75.00 DESIGNED: DFM DRAWN: DFM  
 DATE: JANUARY 16, 2009 CHECKED: CHECKED:

