

63107

CABLE PLAN

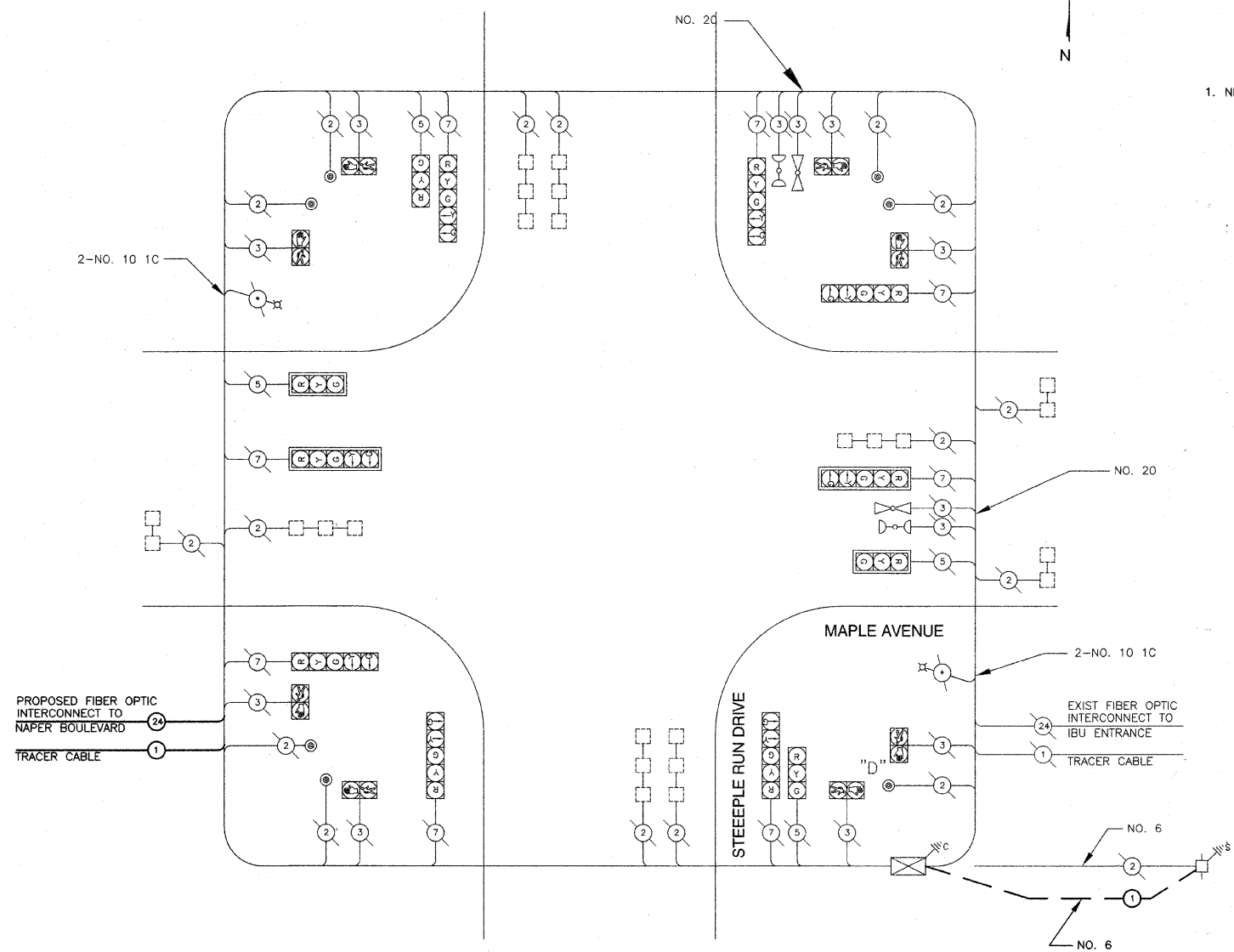
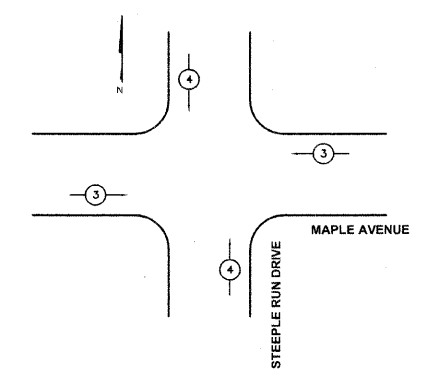
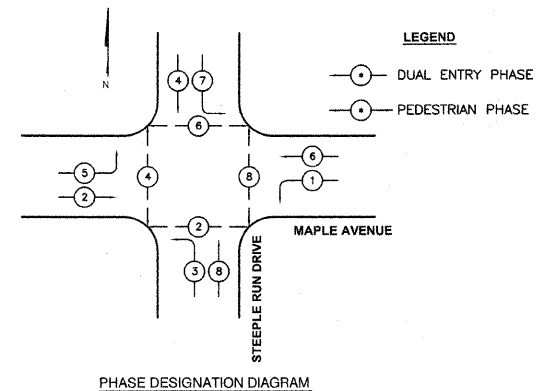


NOTES:

1. NEW NO. 6 1C GROUNDING CABLE IS TO BE INSTALLED BETWEEN SERVICE AND CONTROLLER.

CABLE PLAN LEGEND

EXISTING	PROPOSED	
		PUSHBUTTON DETECTOR
		LUMINAIRE
		DENOTES NUMBER OF CONDUCTORS ALL CABLE NO. 14 EXCEPT AS INDICATED
		EMERGENCY VEHICLE LIGHT DETECTOR
		CONFIRMATION BEACON
		GROUND ROD AT (C) CONTROLLER, (H) HANDHOLE, (P) POST, (MA) MAST ARM OR (S) SERVICE
		12" PEDESTRIAN SIGNAL SECTION
		CONTROLLER CABINET
		SERVICE INSTALLATION
		VEHICLE DETECTOR, INDUCTION LOOP
		SIGNAL FACE WITH BACKPLATE



NOTE: PUSHBUTTON "D" SHALL PLACE CALLS IN PHASES 2 AND 8.

PROPOSED EMERGENCY VEHICLE PREEMPTORS		
EMERGENCY VEHICLE PREEMPTOR	3	4
MOVEMENT	=	

EMERGENCY VEHICLE PREEMPTION SEQUENCE

SCHEDULE OF QUANTITIES

PAY CODE NUMBER	PAY ITEM	UNIT	TOTAL QUANTITIES
85000200	MAINTENANCE OF EXISTING TRAFFIC SIGNAL INSTALLATION	EACH	1
86400100	TRANSCEIVER-FIBER OPTIC	EACH	1
X8730027	ELECTRIC CABLE IN CONDUIT, GROUNDING, NO. 6 1C	FOOT	100
87900200	DRILL EXISTING HANDHOLE	EACH	2
X0324007	OPTIMIZE TRAFFIC SIGNAL SYSTEM	EACH	1

REVISIONS	
NAME	DATE

DUPAGE COUNTY DIVISION OF TRANSPORTATION
 MAPLE AVENUE &
 STEEPLE RUN DRIVE
 EXISTING CABLE DIAGRAM AND
 SCHEDULE OF QUANTITIES
 SCALE: NONE
 DATE: 10/24/08
 DRAWN BY: TH
 DESIGNED BY: TH
 CHECKED BY: DAZ