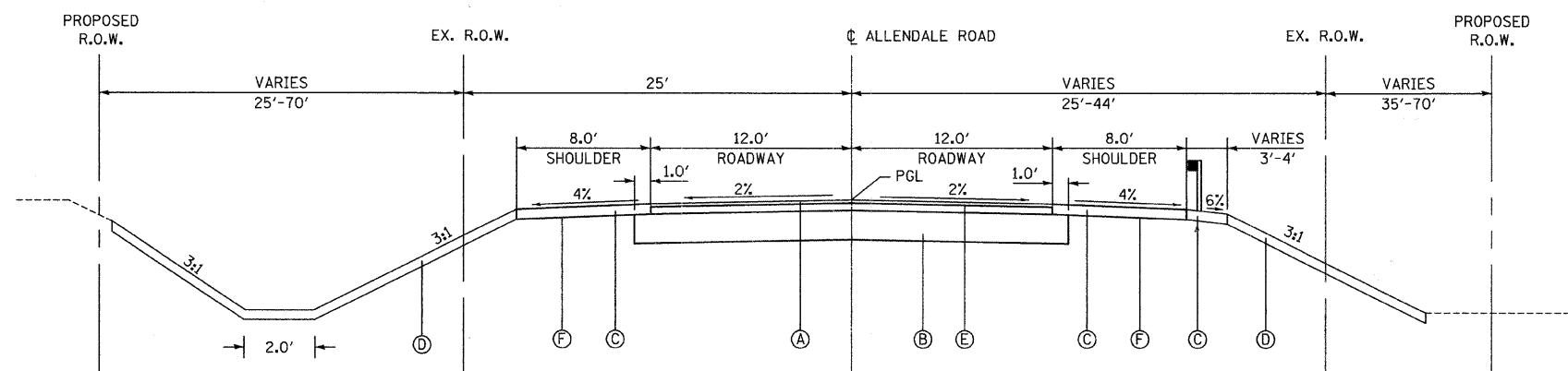


ALLENDALE ROAD
EXISTING TYPICAL SECTION
STA. 102+50.00 TO STA. 106+70.60
STA. 107+35.46 TO STA. 111+50.00

- EXISTING CONDITIONS**
- ① HOT-MIX ASPHALT SURFACE AND BINDER COURSE, 5" •
 - ② AGGREGATE BASE COURSE, 10"
 - ③ AGGREGATE SUB-BASE ••
 - ④ AGGREGATE SHOULDER ••
 - REMOVAL PAID AS PAVEMENT REMOVAL
 - REMOVAL PAID AS EARTH EXCAVATION
 - ▨ PAVEMENT REMOVAL



ALLENDALE ROAD
PROPOSED TYPICAL SECTION
STA. 102+50.00 TO STA. 105+38.00
STA. 108+63.00 TO STA. 111+50.00

- PROPOSED IMPROVEMENTS**
- Ⓐ HOT-MIX ASPHALT PAVEMENT, (FULL DEPTH), 6" (2" SURFACE, 4" BINDER)
 - Ⓑ AGGREGATE SUBGRADE, 12"
 - Ⓒ HOT-MIX ASPHALT SHOULDER, 6"
 - Ⓓ TOPSOIL, FURNISH AND PLACE (6") AND SEEDING 2A PER LANDSCAPING PLAN
 - Ⓔ BITUMINOUS MATERIALS (PRIME COAT)
 - Ⓕ EMBANKMENT

HOT-MIX ASPHALT MIXTURE REQUIREMENTS CHART

OPERATIONS	MIXTURE TYPE	AC TYPE	PERCENT AIR VOIDS
ROADWAY RECONSTRUCTION	HOT-MIX ASPHALT PAVEMENT, (FULL-DEPTH), 6" 2" SURFACE COURSE, MIX C, N50 (IL 9.5 mm) 4" BINDER COURSE, IL-19.0, N50	PG 64-22 PG 64-22*	4% @ 50 GYR. 4% @ 50 GYR.
SHOULDER RECON	HOT-MIX ASPHALT SHOULDER, 6"	PG 64-22*	2% @ 30 GYR.
DRIVEWAY	HOT-MIX ASPHALT SURFACE COURSE, MIX "C", N50 (IL-9.5), 2"	PG 64-22	4% @ 50 GYR.
	HOT-MIX ASPHALT BASE COURSE, 6"	PG 64-22*	4% @ 50 GYR.
BRIDGE APPROACH PAVEMENT CONNECTOR (FLEXIBLE)	HOT-MIX ASPHALT SURFACE COURSE, MIX "C", N50 (IL-9.5), 2"	PG 64-22	4% @ 70 GYR.
	HOT-MIX ASPHALT BINDER COURSE, IL 19.0 mm, N70, 4" TO 13"	PG 64-22*	4% @ 70 GYR.

NOTE:
THE UNIT WEIGHT USED TO CALCULATE ALL HMA SURFACE MIXTURES QUANTITIES IS 112 LBS/SOYD/IN
*WHEN RAP EXCEEDS 20% THE NEW ASPHALT BINDER IN THE MIX SHALL BE PG 58-22

ALLENDALE ROAD

STRUCTURAL DESIGN FACTOR:	YEAR 2020
PV = 684	SU = 18
MU = 18	
ROAD/STREET CLASSIFICATION:	CLASS III
PERCENT OF STRUCTURAL DESIGN TRAFFIC IN DESIGN LANE:	
P = 95	S = 2.5
M = 2.5	
TRAFFIC FACTOR:	ACTUAL TF = 0.09
AC TYPE = PG 64-28	MINIMUM TF = 0.05
AC GRADE: BINDER = PG 64-28	SURFACE = PG 64-28
SUBGRADE SUPPORT RATING:	
SSR = POOR	STA. 102+50 TO STA. 111+50

FILE NAME = n:\proj\3335\design\proposed\plan\3335-06-typical.dgn