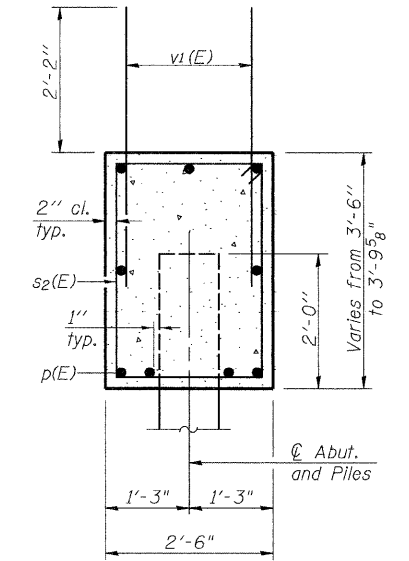
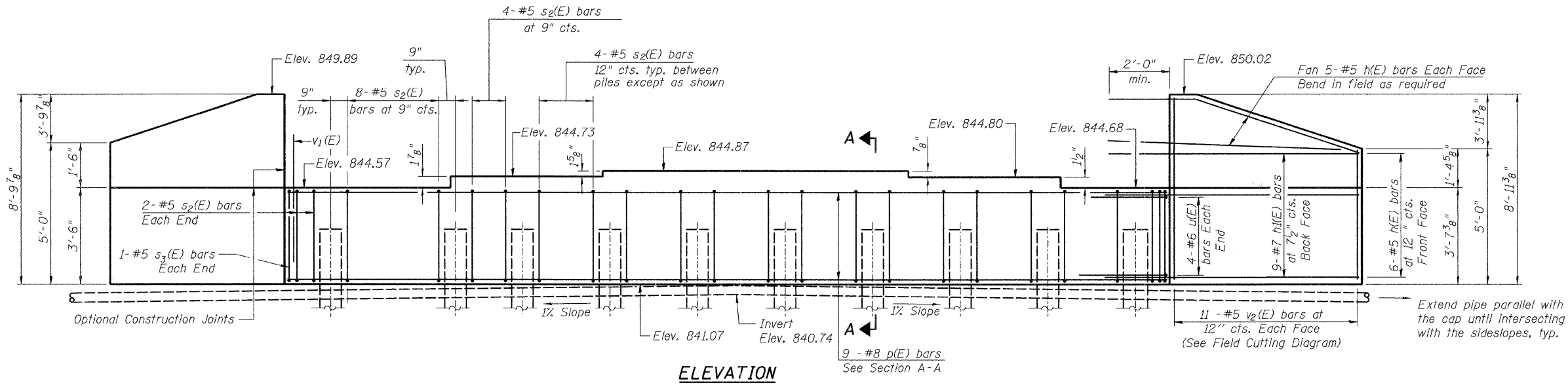


McHENRY COUNTY
DIVISION OF TRANSPORTATION

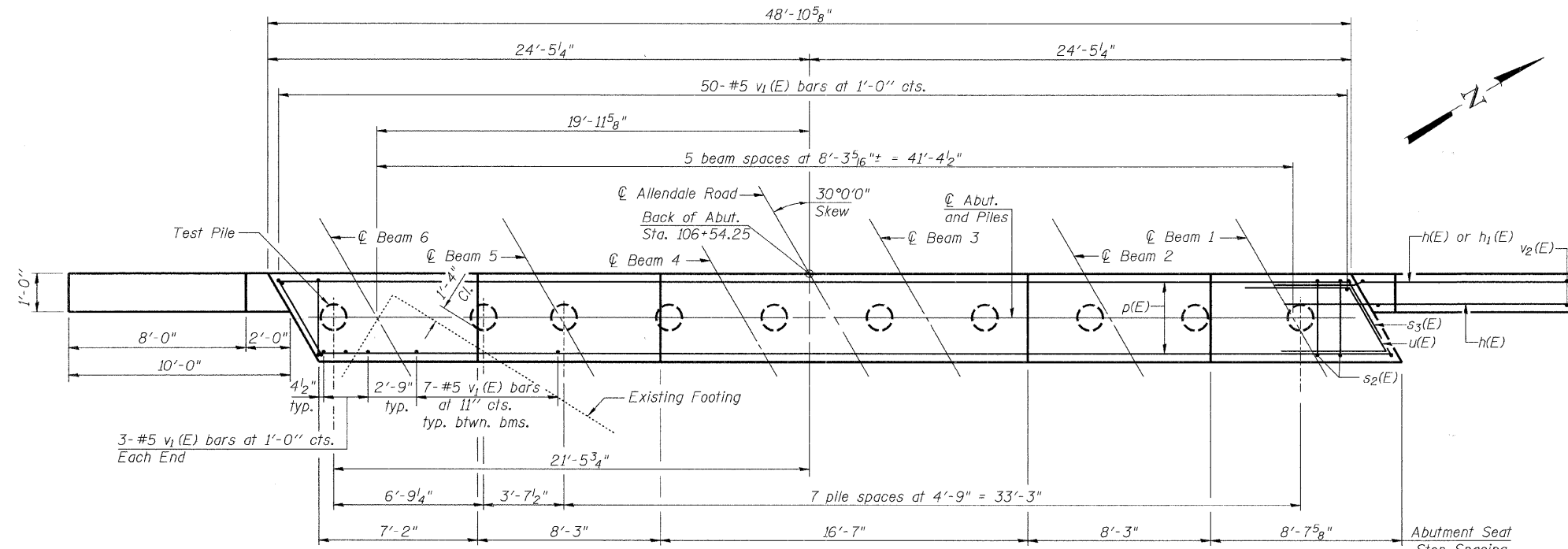


SECTION A-A
BILL OF MATERIAL

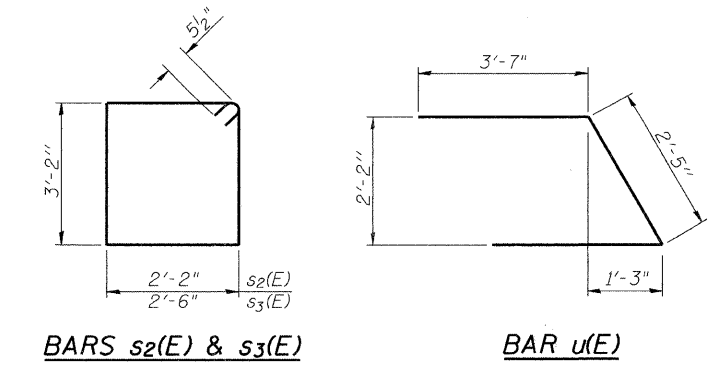
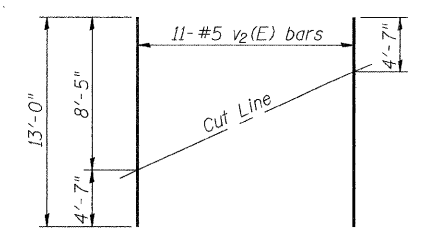
Bar	No.	Size	Length	Shape
h(E)	32	#5	12'-6"	—
h1(E)	18	#7	12'-6"	—
p(E)	9	#8	48'-6"	—
s2(E)	44	#5	11'-7"	□
s3(E)	2	#5	12'-3"	□
u(E)	8	#6	9'-8"	┘
v1(E)	91	#5	4'-4"	—
v2(E)	22	#5	13'-0"	—

Porous Granular Embankment (Special)	Cu. Yd.	105
Structure Excavation	Cu. Yd.	185
Concrete Structures	Cu. Yd.	21.7
Reinforcement Bars, Epoxy Coated	Pound	3,430
Furnishing Metal Shell Piles, 14"x 0.312"	Foot	513
Driving Piles	Foot	513
Test Pile Metal Shells	Each	1
Pile Shoes	Each	10
Geocomposite Wall Drain	Sq. Yd.	63
Pipe Underdrain for Structures, 4"	Foot	85

- NOTES:**
- For details of Bar Splicers, see Sheet S-18.
 - For details of piles, see Sheet S-17.
 - For Section thru Abutment, see Sheet S-2.
 - Contractor shall verify the location of the existing footing before driving new piles.
 - Pour steps monolithic with cap.
 - For Abutment diaphragm details, see Sheet S-8.



PILE DATA
 Type: Metal Shell - 14in. dia. X 0.312 in walls with pile shoes
 Nominal Required Bearing: 460k
 Factored Resistance Available: 230k
 Est. Length: 57'
 No. Production Piles: 9
 No. Test Piles: 1



DESIGNED	AMK
CHECKED	EKM
DRAWN	RD
CHECKED	EKM

Ciorba Group, Inc.
 CONSULTING ENGINEERS
 5507 North Cumberland Avenue, Suite 402 Chicago, Illinois 60656
 Tel. 773.775.4009 Fax 773.775.4014 Email chicago@ciorba.com

FIELD CUTTING DIAGRAM
 Order v2(E) full length. Cut as shown and use remainder of bars in opposite face.

SHEET NO. S-14 OF S-20 SHEETS	F.A. RTE.	SECTION	COUNTY	TOTAL SHEETS	SHEET NO.
		05-00310-00-BR	McHENRY	44	30
FED. ROAD DIST. NO.			ILLINOIS	FED. AID PROJECT	
			CONTRACT NO. 63114		

1.0000000 1 / IN.
 rdmlley
 2/6/2009
 N:\PROJ\3335\Design\Structural\CAD\3335 14 West Abutment.dgn